

⚠ WARNING

1. This is a lifting device only. Do not move or dolly the vehicle while on the jack. The load shall be supported immediately by other appropriate means.
2. Do not overload. Overloading can cause damage to or failure of the jack.
3. Lift only on areas of the vehicle specified by the vehicle manufacturer.
4. This jack is designed for use on hard, level surfaces capable of sustaining the load. Use on other than hard, level surfaces can result in jack instability and possible loss of load.
5. Do not get under vehicle while jack is being used as the only support.
6. If jack needs service, contact your local JET distributor for the location of the closest JET Service Station.
7. Use only factory replacement parts when replacement of parts is necessary.
8. Failure to comply with all of these warnings may result in loss of load, damage to jack, and/or failure resulting in personal injury or property damage.

Specifications:

JSJ-3X

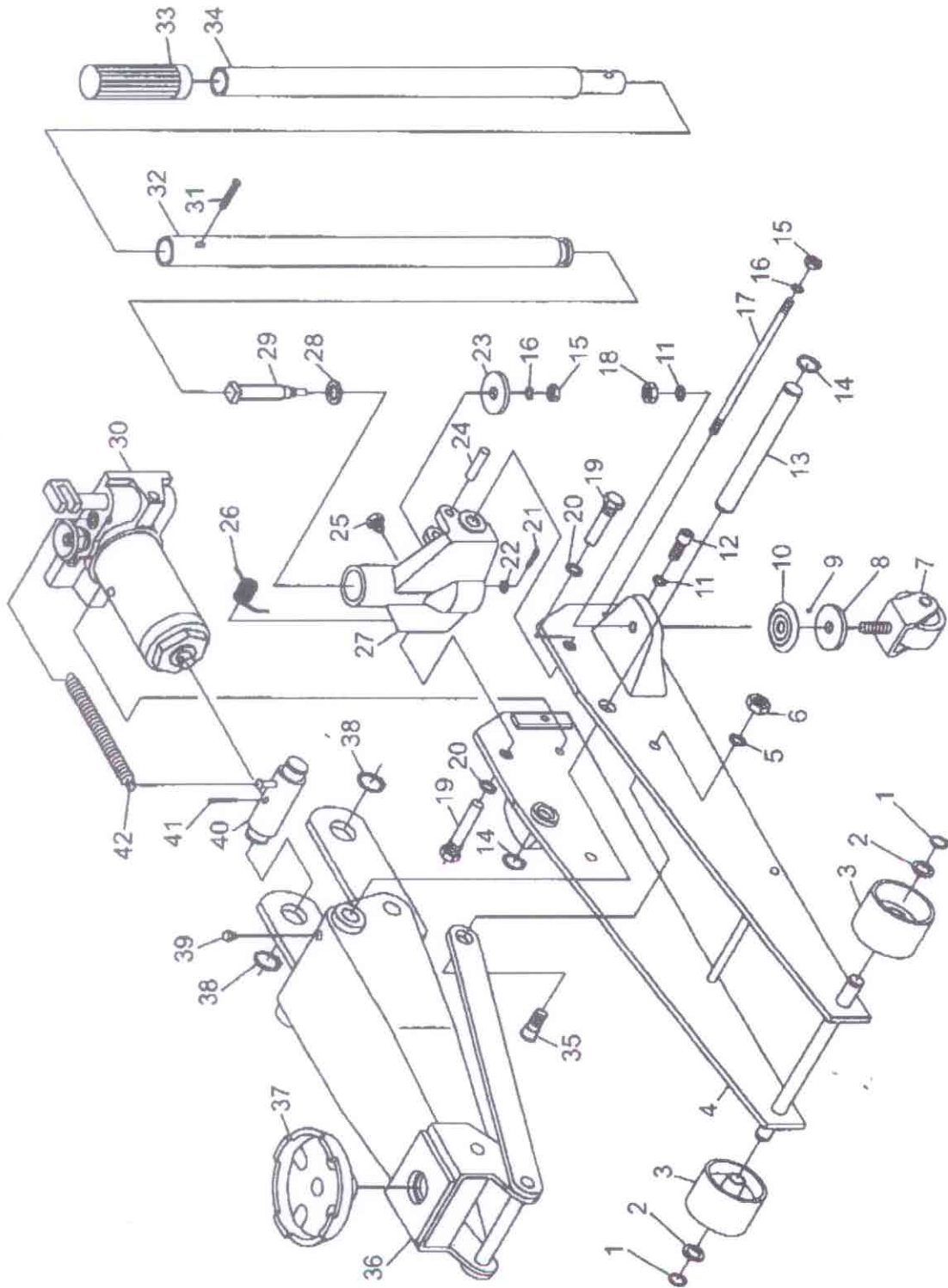
Stock Number.....	454223
Rated Capacity.....	3 Ton
Minimum Height.....	5-1/2"
Maximum Height.....	21"
Saddle.....	5-1/8"
Overall Length.....	26"
Overall Width.....	13"
Handle Length.....	37 3/4"
Net Weight (approx.).....	86 lb.
Shipping Weight (approx.).....	90 lb.

Assembly

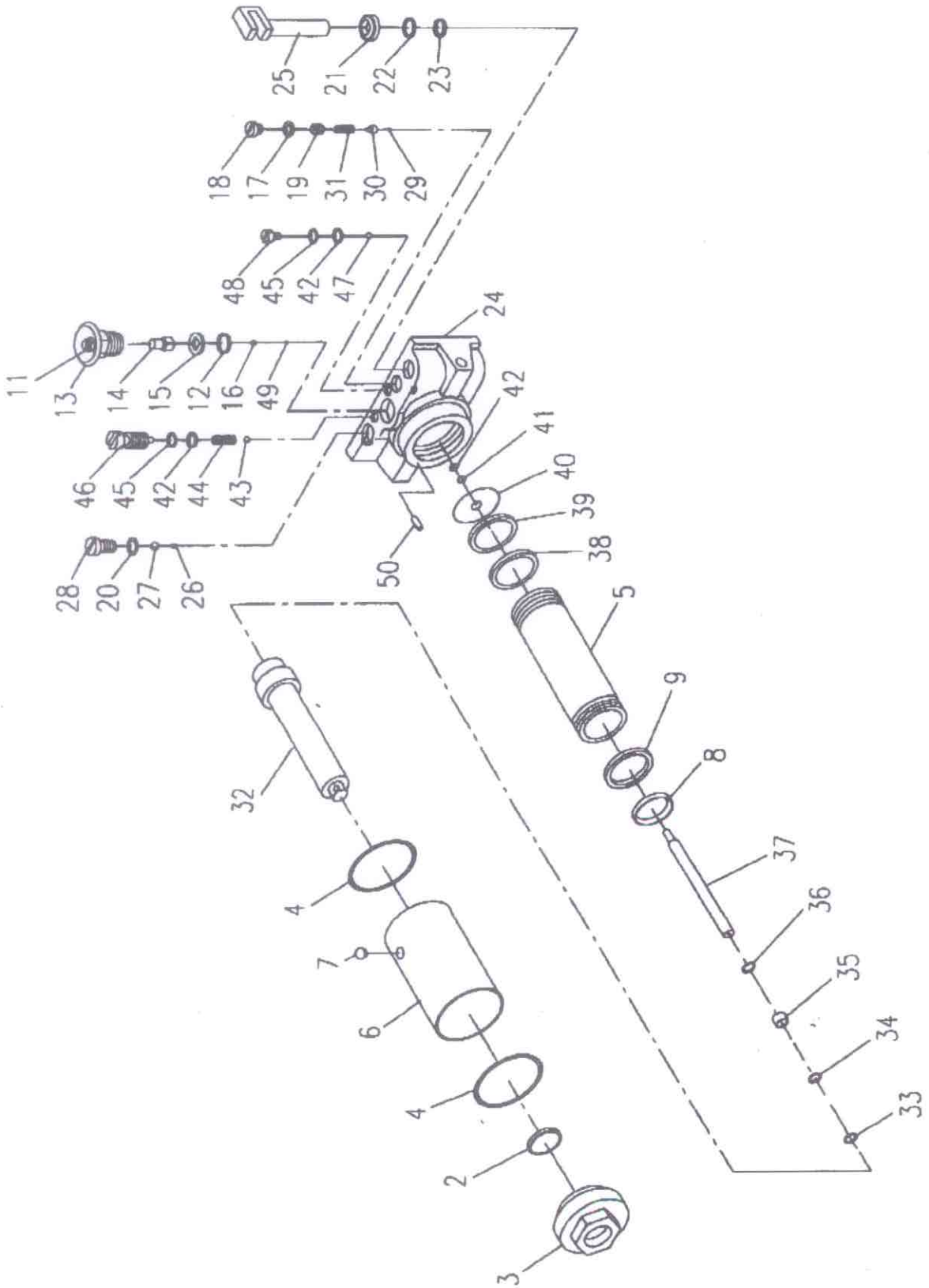
Note: For parts identification, refer to parts list.

1. Insert upper handle (34, page 5) into lower handle (32, page 5) and fasten with hex cap bolt (31, page 5).
2. Remove handle bolt (25, page 5).
3. Insert handle assembly into handle socket (27, page 5). Make sure handle assembly engages gear shaft (29, page 5) by turning handle back and forth and observing movement of handle socket gear (14, page 7).
4. Install handle bolt (25, page 5) to secure handle assembly.

Main Body Assembly



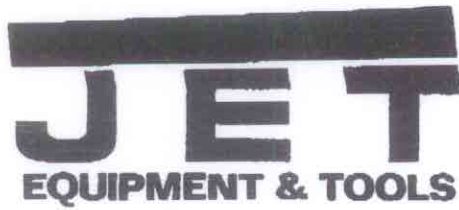
Power Unit Assembly



Main Body Assembly

Index No.	Part No.	Description	Size	Qty.
1	JSJ3S-01	Retainer Ring*		2
2	JSJ3S-02	Washer		2
3	JSJ3S-03	Front Wheel*		2
4	JSJ3S-04	Side Plate Assembly		1
5	JSJ3S-05	Lock Washer		2
6	JSJ3S-06	Nut	M16	2
7	JSJ3S-07	Caster Assembly* (incls: #7-10)		2
8		Ball Ring		2
9		Ball Bearing		38
10		Ball Cover		2
11	JSJ3S-11	Lock Washer		4
12	JSJ3S-12	Socket Head Cap Screw	M12x25	2
13	JSJ3S-13	Arm Shaft		1
14	JSJ3S-14	Retainer Ring		2
15	JSJ3S-15	Nut	M10	3
16	JSJ3S-16	Lock Washer		3
17	JSJ3S-17	Shaft		1
18	JSJ3S-18	Nut	M12	2
19	JSJ3S-19	Bolt		2
20	JSJ3S-20	Lock Washer		2
21	JSJ3S-21	Pin		1
22	JSJ3S-22	Washer		1
23	JSJ3S-23	Gear		1
24	JSJ3S-24	Pump Pin		1
25	JSJ3S-25	Bolt		1
26	JSJ3S-26	Torsion Spring*		1
27	JSJ3S-27	Handle Socket		1
28	JSJ3S-28	Washer		1
29	JSJ3S-29	Gear Shaft		1
30	JSJ3S-30	Power Unit Assembly		1
31	JSJ3S-31	Bolt*	M6x35	1
32	JSJ3S-32	Lower Handle*		1
33	JSJ3S-33	Handle Grip*		1
34	JSJ3S-34	Upper Handle*		1
35	JSJ3S-35	Bolt		2
36	JSJ3S-36	Lifting Arm Assembly		1
37	JSJ3S-37	Saddle*		1
38	JSJ3S-38	Retainer Ring		2
39	JSJ3S-39	Grease Fitting		1
40	JSJ3S-40	Cross Head		1
41	JSJ3S-41	Pin		1
42	JSJ3S-42	Return Spring*		1
	JSJ3S-SK	Seal Kit* (not included)		

* Indicates normal stocked part. Other parts may be purchased on a special order basis only. Contact JET Equipment & Tools (1-800-274-6848) for details.



TEST CERTIFICATE

COMMODITY	Short Service Jack
MODEL	JSJ-3X
SERIAL NO.	
CAPACITY	3 Ton
TEST LOAD	Ton
DATE OF INSPECTION	
JUDGEMENT	PASSED
INSPECTOR	

JET EQUIPMENT & TOOLS, INC.
A WMH Company
www.jettools.com

2415 West Valley Highway N
P.O. Box 1349
Auburn, WA 98071-1349

Fax: 800-274-6840
Phone: 253-351-6000
e-mail: jet@jettools.com

Power Unit Assembly

Index No.	Part No.	Description	Size	Qty.
2	JSJ3X-P02	O-Ring	30x3.5	1
3	JSJ3X-P03	Tank Nut		1
4	JSJ3X-P04	O-Ring		2
5	JSJ3X-P05	Cylinder		1
6	JSJ3X-P06	Oil Tank		1
7	JSJ3X-P07	Oil Fill Plug		1
8	JSJ3X-P08	U-Cup		1
9	JSJ3X-P09	O-Ring	33x3.55	1
11	JSJ3X-P11	Gear Retaining Nut	M8	1
12	JSJ3X-P12	O-Ring	16x2.4	1
13	JSJ3X-P13	Release Valve Assembly*		1
14	JSJ3X-P14	Valve Stem		1
15	JSJ3X-P15	Guide Plate		1
16	JSJ3X-P16	Ball	6	1
17	JSJ3X-P17	Seal Washer		1
18	JSJ3X-P18	Screw		1
19	JSJ3X-P19	Adjustment Screw		1
20	JSJ3X-P20	Seal Washer		1
21	JSJ3X-P21	Wiper		1
22	JSJ3X-P22	Back Up Ring		1
23	JSJ3X-P23	O-ring	16x2.4	1
24	JSJ3X-P24	Base		1
25	JSJ3X-P25	Piston Pump		1
26	JSJ3X-P26	Ball	4	1
27	JSJ3X-P27	Ball	6	1
28	JSJ3X-P28	Screw		1
29	JSJ3X-P29	Ball	4	1
30	JSJ3X-P30	Adapter		1
31	JSJ3X-P31	Spring		1
32	JSJ3X-P32	Ram		1
33	JSJ3X-P33	O-ring	14x2.4	1
34	JSJ3X-P34	Washer		1
35	JSJ3X-P35	Back Up Ring		1
36	JSJ3X-P36	Spring		1
37	JSJ3X-P37	Ram		1
38	JSJ3X-P38	Back Up Ring		1
39	JSJ3X-P39	O-ring	50x2.4	1
40	JSJ3X-P40	Cylinder Gasket		1
41	JSJ3X-P41	Spring		1
42	JSJ3X-P42	O-ring	6x3	3
43	JSJ3X-P43	Ball	6	1
44	JSJ3X-P44	Spring		1
45	JSJ3X-P45	Back Up Ring		2
46	JSJ3X-P46	Screw		1
47	JSJ3X-P47	Ball	6	1
48	JSJ3X-P48	Screw		1
49	JSJ3X-P49	Ball	3	1
50	JSJ3X-P50	Pin		1
	JSJ3X-RK	Repair Kit (not shown)*		1
	JSJ3X-30	Power Unit Assembly		1

* Indicates normal stocked part. Other parts may be purchased on a special order basis only.
Contact JET Equipment & Tools (1-800-274-6848) for details.