

JET[®]

Operating Instructions and Parts Manual JJP-10BTOS 10" Jointer-Planer



WALTER MEIER (Manufacturing) Inc.
427 New Sanford Road
LaVergne, Tennessee 37086
Ph.: 800-274-6848
www.waltermeier.com

Part No. M-707410
Revision A1 12/09
Copyright © 2009 Walter Meier (Manufacturing) Inc.

Warranty and Service

Walter Meier (Manufacturing) Inc., warrants every product it sells. If one of our tools needs service or repair, one of our Authorized Service Centers located throughout the United States can give you quick service. In most cases, any of these Walter Meier Authorized Service Centers can authorize warranty repair, assist you in obtaining parts, or perform routine maintenance and major repair on your JET® tools. For the name of an Authorized Service Center in your area call 1-800-274-6848.

MORE INFORMATION

Walter Meier is consistently adding new products to the line. For complete, up-to-date product information, check with your local Walter Meier distributor, or visit waltermeier.com.

WARRANTY

JET products carry a limited warranty which varies in duration based upon the product (MW stands for Metalworking, WW stands for Woodworking).

90 DAY WARRANTY	1 YEAR WARRANTY	2 YEAR WARRANTY	3 YEAR WARRANTY	5 YEAR WARRANTY	LIFE LIFETIME WARRANTY
Lathe Accessories Machine Accessories Mobile Bases Safety Equipment Specialty Items Vise Accessories	Air Tools- Contractor Air Tools-Industrial Air Tools-Light Industrial Lubrication	Body Repair Kits Bottle Jacks Cable Pullers Cold Saws Hoists-Air Hoists-Electric Metal forming Mill/Drills Milling Machines MW Bandsaws MW Drill Presses MW Finishing Equipment MW Lathes MW Precision Vises	Palet Trucks Rigging Equip. Service Jacks Stackers Surface Grinders Tapping Trolleys-Air Trolleys-Electric Web Slings Winches-Electric	Beam Clamps Chain Hoist- Manual Lever Hoists Pullers-JCH Models Scissor Lift Tables Screw Jacks Trolleys-Geared Trolleys-Plain Winches-Manual WW Air Filtration WW Bandsaws WW Buffers	WW Drill Presses WW Dust Collectors WW Dust Filters WW Dust Fittings WW Jointers WW Lathes WW Planers WW Sanders WW Shapers WW Tablesaws
Warranty reverts to 1 Year Warranty if woodworking (WW) products listed above are used for industrial or educational purposes.					

WHAT IS COVERED?

This warranty covers any defects in workmanship or materials subject to the exceptions stated below. Cutting tools, abrasives and other consumables are excluded from warranty coverage.

WHO IS COVERED?

This warranty covers only the initial purchaser of the product.

WHAT IS THE PERIOD OF COVERAGE?

The general JET warranty lasts for the time period specified in the product literature of each product.

WHAT IS NOT COVERED?

Three Year, Five Year and Lifetime Warranties do not cover products used for industrial or educational purposes. Products with Three Year, Five Year or Lifetime Warranties that are used for industrial or education purposes revert to a One Year Warranty. This warranty does not cover defects due directly or indirectly to misuse, abuse, negligence or accidents, normal wear-and-tear, improper repair or alterations, or lack of maintenance.

HOW TO GET SERVICE

The product or part must be returned for examination, postage prepaid, to a location designated by us. For the name of the location nearest you, please call 1-800-274-6848.

You must provide proof of initial purchase date and an explanation of the complaint must accompany the merchandise. If our inspection discloses a defect, we will repair or replace the product, or refund the purchase price, at our option. We will return the repaired product or replacement at our expense unless it is determined by us that there is no defect, or that the defect resulted from causes not within the scope of our warranty in which case we will, at your direction, dispose of or return the product. In the event you choose to have the product returned, you will be responsible for the shipping and handling costs of the return.

HOW STATE LAW APPLIES

This warranty gives you specific legal rights; you may also have other rights which vary from state to state.

LIMITATIONS ON THIS WARRANTY

WALTER MEIER (MANUFACTURING) INC., LIMITS ALL IMPLIED WARRANTIES TO THE PERIOD OF THE LIMITED WARRANTY FOR EACH PRODUCT. EXCEPT AS STATED HEREIN, ANY IMPLIED WARRANTIES OR MERCHANTABILITY AND FITNESS ARE EXCLUDED. SOME STATES DO NOT ALLOW LIMITATIONS ON HOW LONG THE IMPLIED WARRANTY LASTS, SO THE ABOVE LIMITATION MAY NOT APPLY TO YOU.

WALTER MEIER SHALL IN NO EVENT BE LIABLE FOR DEATH, INJURIES TO PERSONS OR PROPERTY, OR FOR INCIDENTAL, CONTINGENT, SPECIAL, OR CONSEQUENTIAL DAMAGES ARISING FROM THE USE OF OUR PRODUCTS. SOME STATES DO NOT ALLOW THE EXCLUSION OR LIMITATION OF INCIDENTAL OR CONSEQUENTIAL DAMAGES, SO THE ABOVE LIMITATION OR EXCLUSION MAY NOT APPLY TO YOU.

Walter Meier sells through distributors only. The specifications in Walter Meier catalogs are given as general information and are not binding. Members of Walter Meier reserve the right to effect at any time, without prior notice, those alterations to parts, fittings, and accessory equipment which they may deem necessary for any reason whatsoever. JET® branded products are not sold in Canada by Walter Meier.

Table of Contents

Warranty and Service.....	2
Table of Contents	3
Warnings.....	4
Features	7
Specifications	7
Optional Accessories	7
Shipping Contents	8
Assembly	10
Jointer Setup	12
Planer Setup	12
Operating Controls.....	13
Adjustments	15
Basic Operations	18
Maintenance	22
Lubrication	22
Troubleshooting.....	23
Parts.....	26
Electrical Connection	39

The specifications in this manual are given as general information and are not binding. Walter Meier (Manufacturing), Inc. reserves the right to effect, at any time and without prior notice, changes or alterations to parts, fittings, and accessory equipment deemed necessary for any reason whatsoever.

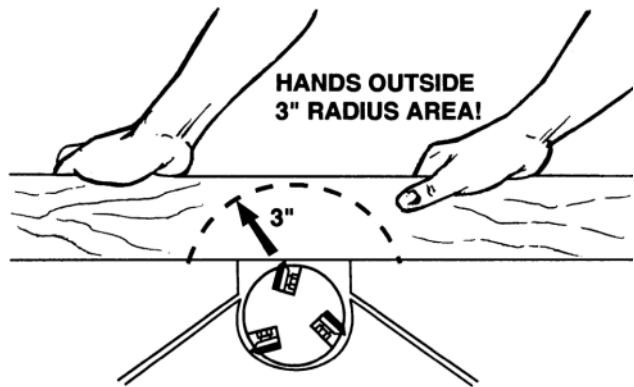


Warnings

1. Read and understand the entire owner's manual before attempting assembly or operation.
2. Read and understand the warnings posted on the machine and in this manual. Failure to comply with all of these warnings may cause serious injury.
3. Replace the warning labels if they become obscured or removed.
4. This Woodworking Jointer-planer is designed and intended for use by properly trained and experienced personnel only. If you are not familiar with the proper and safe operation of a woodworking jointer or planer, do not use until proper training and knowledge have been obtained.
5. Do not use this for other than its intended use. If used for other purposes, Walter Meier disclaims any real or implied warranty and holds itself harmless from any injury that may result from that use.
6. Always wear approved safety glasses/face shields while using this woodworking jointer-planer. Everyday eyeglasses only have impact resistant lenses; they are not safety glasses.
7. Before operating this woodworking jointer-planer, remove tie, rings, watches and other jewelry, and roll sleeves up past the elbows. Remove all loose clothing and confine long hair. Non-slip footwear or anti-skid floor strips are recommended. Do **not** wear gloves.
8. Wear ear protectors (plugs or muffs) during extended periods of operation.
9. Some dust created by power sanding, sawing, grinding, drilling and other construction activities contain chemicals known to cause cancer, birth defects or other reproductive harm. Some examples of these chemicals are:
 - Lead from lead based paint.
 - Crystalline silica from bricks, cement and other masonry products.
 - Arsenic and chromium from chemically treated lumber.Your risk of exposure varies, depending on how often you do this type of work. To reduce your exposure to these chemicals, work in a well-ventilated area and work with approved safety equipment, such as face or dust masks that are specifically designed to filter out microscopic particles.
10. Do not operate this machine while tired or under the influence of drugs, alcohol or any medication.
11. Make certain the switch is in the **OFF** position before connecting the machine to the power source.
12. Make certain the machine is properly grounded.
13. Make all machine adjustments or maintenance with the machine unplugged from the power source.
14. Remove adjusting keys and wrenches. Form a habit of checking to see that keys and adjusting wrenches are removed from the machine before turning it on.
15. Keep safety guards in place at all times when the machine is in use. If removed for maintenance purposes, use extreme caution and replace the guards immediately.
16. Make sure the woodworking jointer-planer is firmly secured to the floor or bench before use.
17. Check damaged parts. Before further use of the machine, a guard or other part that is damaged should be carefully checked to determine that it will operate properly and perform its intended function. Check for alignment of moving parts, binding of moving parts, breakage of parts, mounting and any other conditions that may affect its operation. A guard or other part that is damaged should be properly repaired or replaced.
18. Provide for adequate space surrounding work area and non-glare, overhead lighting.
19. Keep the floor around the machine clean and free of scrap material, oil and grease.

Warnings

20. Keep visitors a safe distance from the work area. **Keep children away.**
21. Make your workshop child proof with padlocks, master switches or by removing starter keys.
22. Give your work undivided attention. Looking around, carrying on a conversation and “horse-play” are careless acts that can result in serious injury.
23. Maintain a balanced stance at all times so that you do not fall or lean against the cutterhead or other moving parts. Do not overreach or use excessive force to perform any machine operation.
24. Use the right tool at the correct speed and feed rate. Do not force a tool or attachment to do a job for which it was not designed. The right tool will do the job better and safer.
25. Use recommended accessories; improper accessories may be hazardous.
26. Maintain tools with care. Keep knives sharp and clean for the best and safest performance. Follow instructions for lubricating and changing accessories.
27. Turn off the machine before cleaning. Use a brush or compressed air to remove chips or debris — do not use your hands.
28. Do not stand on the machine. Serious injury could occur if the machine tips over.
29. Never leave the machine running unattended. Turn the power off and do not leave the machine until it comes to a complete stop.
30. Before turning on machine, remove all extra equipment such as keys, wrenches, scrap, stock, and cleaning rags away from the machine.
31. Always use a hold-down or push block when surfacing stock less than 12" inches long, or 3 inches wide, or 3 inches thick.
32. Do not perform jointing operations on material shorter than 8", narrower than 3/4" or less than 1/4" thick.
33. The hands must never be closer than 3 inches to the cutterhead (see Figure).
34. Never apply pressure to stock directly over the cutterhead. This may result in the stock tipping into the cutterhead along with the operator's fingers. Position hands away from extreme ends of stock, and push through with a smooth, even motion. Never back workpiece toward the infeed table.
35. To avoid kickback, the grain must run in the same direction you are cutting. Before attempting to joint, or plane, each work piece must be carefully examined for stock condition and grain orientation.





Warnings

36. When working with a swirl grain wood or burls, making it necessary to plane against the grain, use a lesser depth of cut and a slow rate of feed.
37. Move the hands in an alternate motion from back to front as the work continues through the cut. Never pass the hands directly over the cutter knife. As one hand approaches the knives remove it from the stock in an arc motion and place it back on the stock in a position beyond the cutter knife (Fig. 18).
38. At all times hold the stock firmly.

Familiarize yourself with the following safety notices used in this manual:

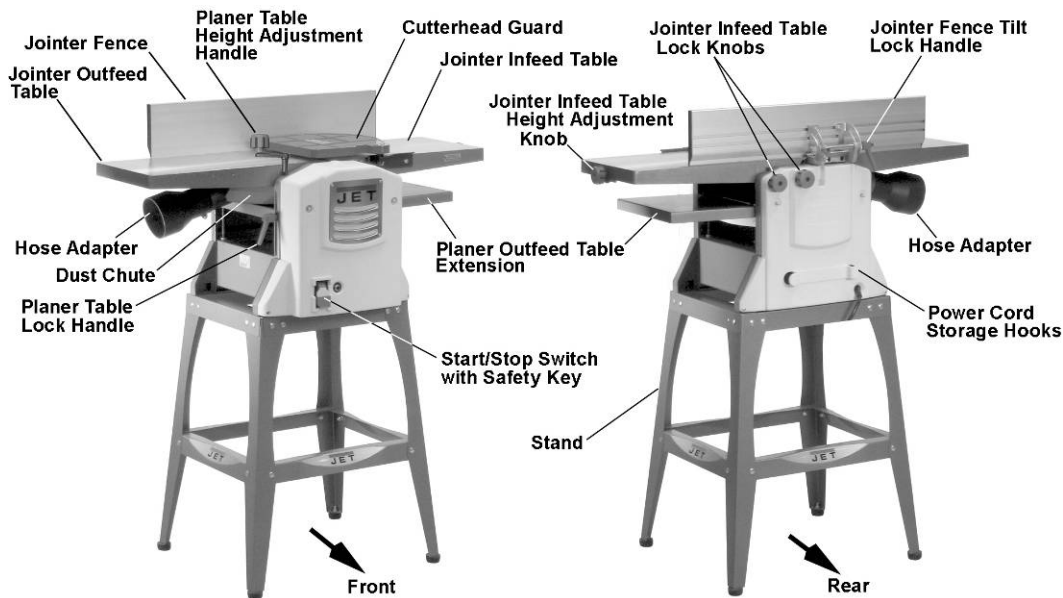
CAUTION This means that if precautions are not heeded, it may result in minor injury and/or possible machine damage.

WARNING This means that if precautions are not heeded, it may result in serious injury or possibly even death.

- - SAVE THESE INSTRUCTIONS - -

WARNING Read and understand the entire contents of this manual before attempting assembly or operation! Failure to comply may cause serious injury!

Features



Features

Specifications

Model number	JJP-10BTOS
Stock number	707410
Cutterhead speed	9000rpm
Number of knives.....	2
Cutter knife length.....	10-1/4"
Cutter knife thickness.....	0.060"
Dust port diameter	2-1/2" or 4"
Jointer table	36"x10-1/4"
Max stock removal.....	1/8"
Max cutting width.....	10"
Fence	4-7/8" x 25"
Fence tilt	90°- 45° R
Fence positive stop.....	90°, 45°R
Planer table.....	10-3/4" x 10-1/2"
Planer capacity	
Maximum cutting thickness.....	4-1/2"
Max depth of cut	5/64"
Min length of work piece.....	6"
Feed rate	19.5 fpm
Motor	
Voltage	120V, 60Hz, 13A
Switch.....	Toggle switch with overload protection
Overall Dimensions (LxWxH).....	37-1/2" x 18-1/2" x 44"
Net weight.....	74 lbs

Optional Accessories

Stock No.	Description
707411	10" Jointer/Planer Blades
709207	13" Roller Support Stand

Shipping Contents

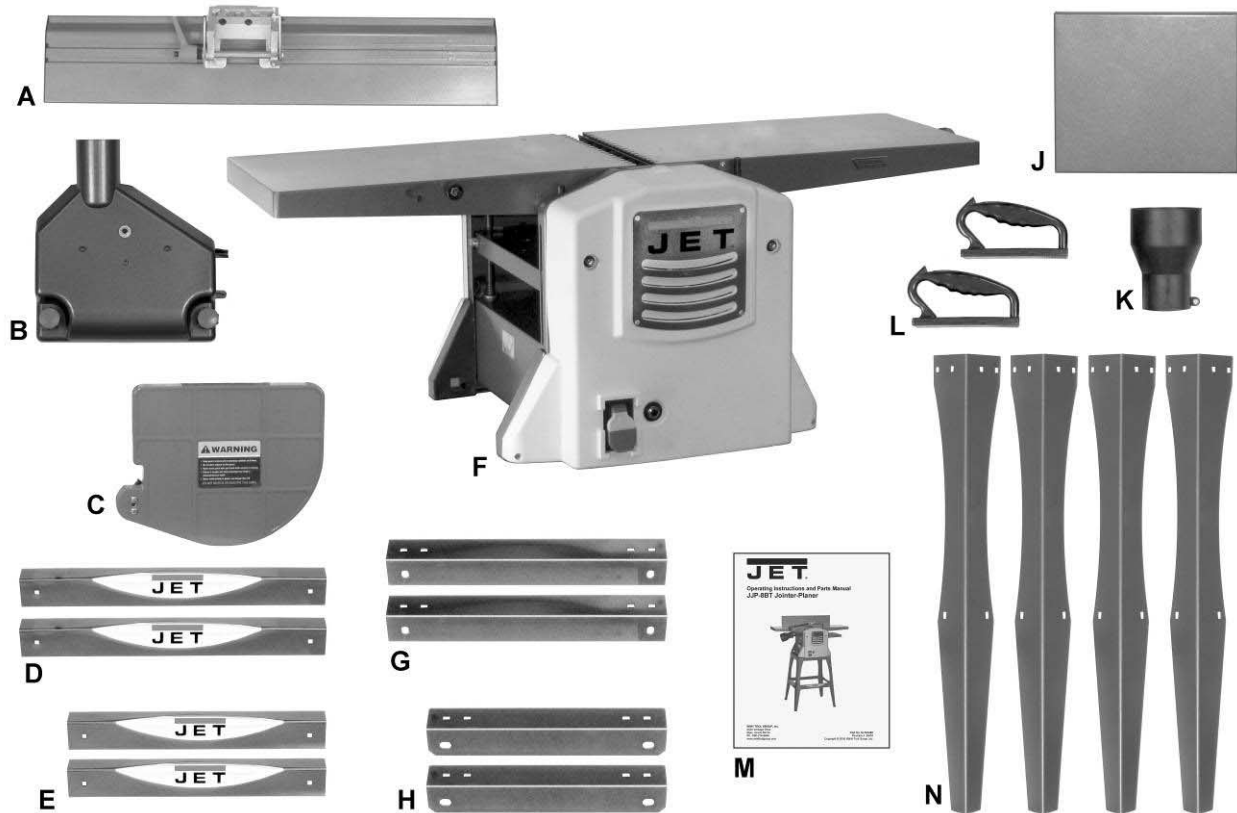


Figure 1 – Contents of the Main Carton

Unpacking

Remove all contents from the shipping carton. Do not discard the carton or packing material until your *Model JJP-10BT Jointer-Planer* is assembled and is running satisfactorily.

Compare the contents of the carton against the list of parts in *Contents of Shipping Container* (below). The *letter identification* in the list corresponds to the items shown at right. This is your key for identifying the parts used throughout the *Assembly* section for easy reference.

Remove the protective coating that is applied to the table with a house hold grease and spot remover.

Contents of the Main Carton

- 1 Jointer Fence (A)
- 1 Dust Chute (B)
- 1 Cutterhead Guard (C)
- 2 Long Support Plate(D)
- 2 Short Support Plate (E)
- 1 Jointer-Planer (F)
- 2 Long Stand Top Support (G)
- 2 Short Stand Top Support (H)
- 1 Planer Outfeed Table Extension (J)
- 1 2-1/2" to 4" Hose Adapter (K)
- 2 Push Block (L)
- 1 Owner's Manual (M)
- 4 Stand Leg (N)



Figure 2 – Tools Included

Tools Included

- 1 8/10mm Open-end Wrench (O)
- 1 Knife Setting Gauge (P)
- 1 3, 5, 6mm hex wrenches (set of 3) (Q)

Knobs and Handles

- 1 Lock Knob (R)
- 1 Height Adjust Handle (S)
- 1 Lock Handle (U)
- 1 Flat Washer (T)
- 1 Lock Knob (V)

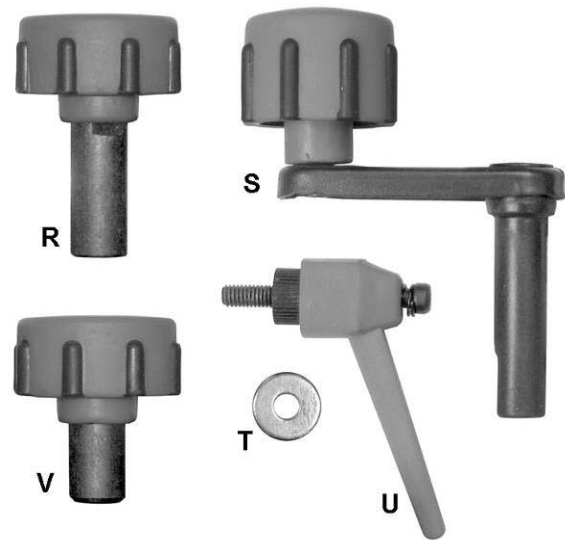


Figure 3 – Knobs and Handles

Hardware

- 4 Hex Cap Screw (X)
- 24 Carriage Bolt (Y)
- 2 Socket Head Cap Screw (Z)
- 3 Socket Head Cap Screw (AA)
- 4 Socket Head Cap Screw (BB)
- 28 Flat Washer (CC)
- 24 Lock Washer (DD)
- 28 Hex Nut (EE)
- 2 Pan Head Machine Screw (FF)
- 2 Hex Nut (GG)
- 3 Flat Washer (HH)
- 4 Flat Washer (JJ)
- 4 Lock Washer (KK)
- 4 Rubber Foot (LL)
- 2 Lock Washer (MM)

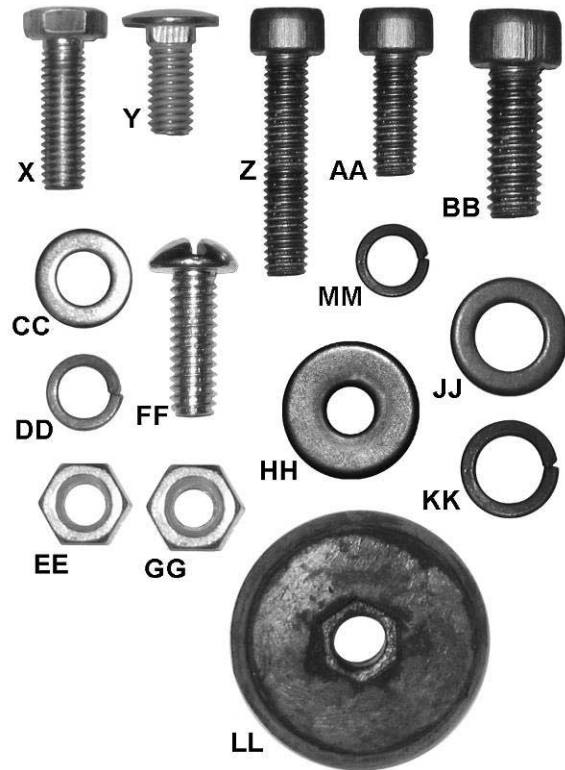


Figure 4 – Hardware (actual size)

Assembly

For assembly convenience, the item *letter designators* used throughout the *Assembly* section are the same as those used to identify *shipping content* and *hardware* components on pages 8–9.

Stand Assembly

Referring to Figure 5:

1. Select two *legs* (N), one *short stand top support* (H) and one *short support plate* (E).
2. Attach one end of the *stand top support* (H) to the top of the first leg with two *carriage bolts* (Y), *flat washers* (CC), *lock washers* (DD) and *hex nuts* (EE). Attach the other end of the *stand top support* (H) to the second leg in the same manner. Hand-tighten only at this time.
3. Attach a *support plate* (E) to each *leg* (N) in the same manner with two *carriage bolts* (Y), *flat washers* (CC), *lock washers* (DD) and *hex nuts* (EE). Hand-tighten only at this time.
4. Repeat steps 1–3 using the remaining legs, short stand top support and support plate.
5. Complete the stand construction by attaching *long stand top supports* (G) and *long support plates* (D) to the leg assemblies constructed in steps 1–4. Hand-tighten all hardware only at this time.
6. Place a *rubber foot* (LL) on a *hex cap screw* (X), then insert the threaded end of the screw through the opening on the bottom of the leg.
7. Secure with *flat washer* (CC) and *hex nut* (EE).
8. Attach rubber feet to remaining legs in the same manner.
9. Place stand upright. Ensure that the stand is on a level surface and all four legs are contacting the surface.
10. Tighten all hex nuts with the *10mm wrench* (O) provided.

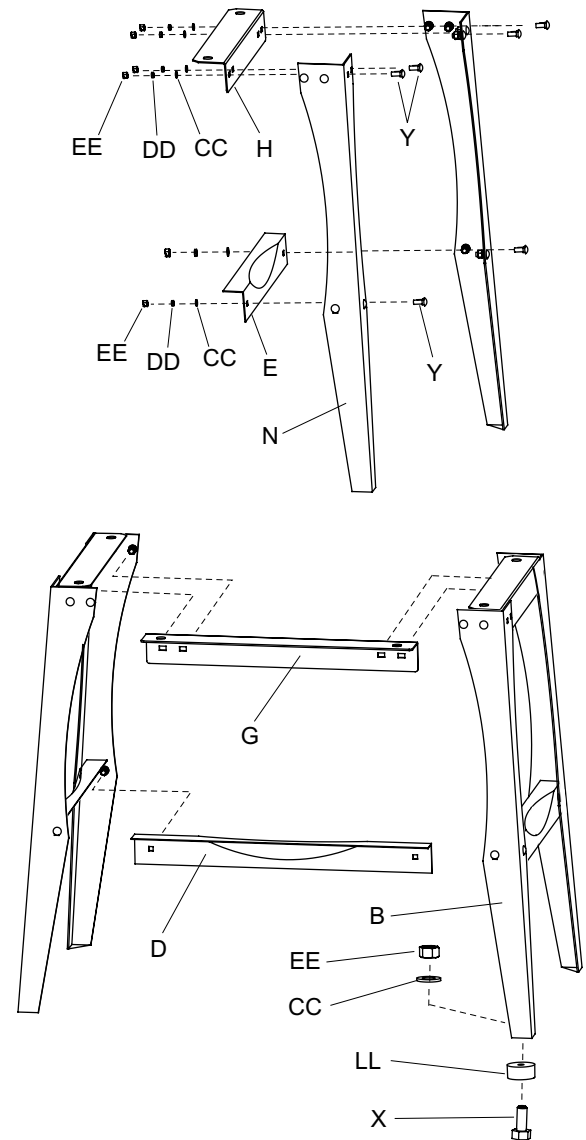


Figure 5

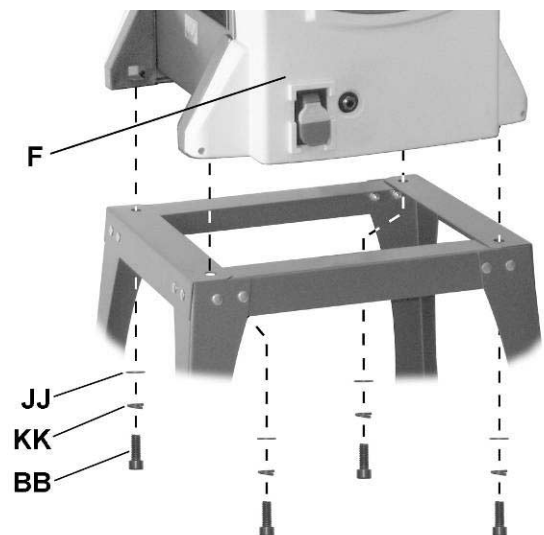


Figure 6

Mounting Jointer-Planer to Stand

Referring to Figure 6:

1. Place the *Jointer-Planer* (F) onto the assembled stand and secure with 4 each *socket head cap screws* (BB), *lock washers* (KK), and *flat washers* (JJ).
2. Tighten all *socket head cap screws* (BB) with the *5mm hex wrench* (Q) provided.

Jointer-Planer Assembly

Referring to Figure 7:

Fence

1. Attach jointer *fence* (A) to back of jointer *outfeed table* (F3) with two each *socket head cap screws* (Z) and *lock washers* (MM). Tighten screws with 5mm hex wrench (provided).

Lock Knobs

The JJP-10BT Jointer-Planer comes equipped with two lock knobs to secure the position of the jointer infeed table.

2. Install jointer infeed table *lock knobs* (V, R).

Note: The shaft length of each lock knob (refer to Figure 3) are different. Be sure to install each in the correct location.

Extension Table

3. Attach the planer outfeed *extension table* (J) to the *main planer table* (F4) with three each *socket head cap screws* (AA) and *flat washers* (HH). Tighten screws with 5mm hex wrench.

Extension Table Adjustment

Two setscrews located underneath the *extension table* (J) are used to adjust the height position of the outer (protruding) edge, which must be slightly higher than the *main planer table* (F4) in order to minimize snipe (see *Avoiding Snipe* on page 21).

4. Using a 4mm hex wrench (provided), turn setscrews slightly clockwise to raise the table or counterclockwise to lower the table.

Lock Handle

Referring to Figure 8:

Attach planer table *lock handle* (U) and *flat washer* (T).

Cutterhead Guard

5. Install *cutterhead guard* (C) by securing the *bracket* (C1) to the side of the *jointer infeed table* (F5) with two each *pan head machine screws* (FF) and *hex nuts* (GG).

Important: It is extremely important that spring action causes the *cutterguard* (C) to retract against the *fence* (A), concealing the *cutterhead* (A1). If spring return tension is not enough, adjust the spring located on the cutterhead pivot shaft accordingly.

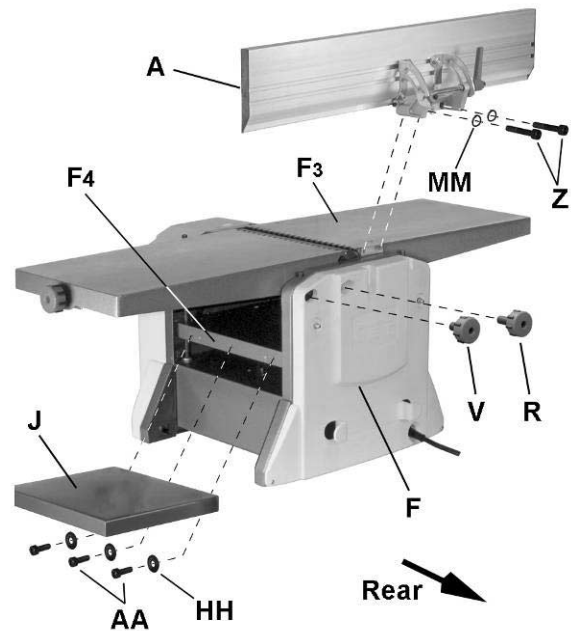


Figure 7

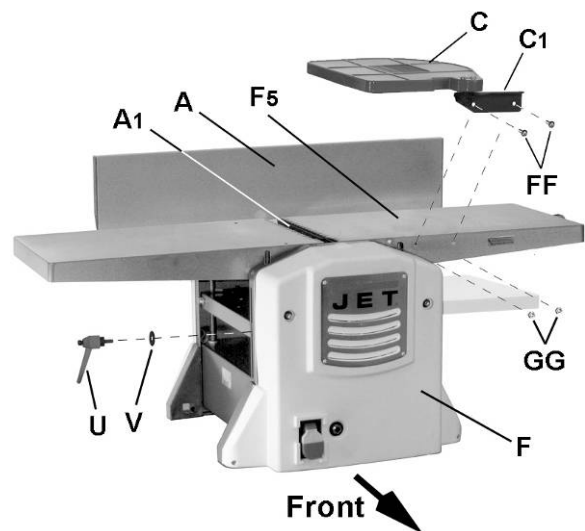


Figure 8

Jointer Setup

⚠WARNING Disconnect machine from power source before making any adjustments. Failure to comply may cause serious injury.

Referring to Figure 9:

1. Loosen *lock handle* (U).
2. Install planer table *height adjustment handle* (S).
3. Turn *handle* (S) counterclockwise and lower *planer table* (F1) all the way.
4. Remove *hex nut* (B1) and *flat washer* (B2) from *dust chute* (B).
5. Orient the *dust chute* (B) as shown and install into the infeed opening.

Position the *chute* (B) such that the two positioning keys and one threaded positioning screw underneath the chute meshes with three positioning holes on the *table* (F1).

6. Raise the table (turn handle S clockwise) until the *dust chute* (B) is held firmly in place between the *planer infeed table* (F1) and *jointer outfeed table* (F2). Do not overtighten.
7. Tighten *lock handle* (U).

Step 8 is optional.

8. Further secure the dust chute by reinstalling the *hex nut* (B1) and *flat washer* (B2) from underneath the *planer infeed table* (F1).
9. Remove *handle* (S).

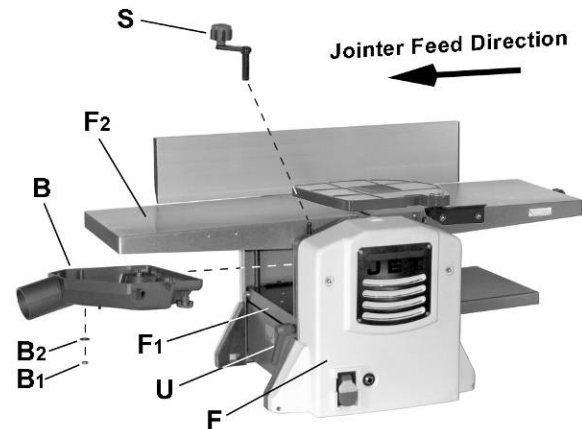


Figure 9

Important: *Dust chute* (B) must be properly installed in both Jointer setup and Planer setup. If improper installation fails to activate a micro-switch, the machine will not start.

Planer Setup

If the machine is currently set up for jointer operation, remove the *dust chute* (B, Fig. 9). Refer to the *Jointer Setup* section above.

Referring to Figure 10:

1. Swing *cutterguard* (C) away from *fence* (A), which will expose the cutterhead.

⚠WARNING Cutterhead knives are dangerously sharp. Use extreme caution when working around them. Failure to comply may cause serious injury.

2. Orient the *dust chute* (B) as shown. Install onto the *jointer outfeed table* (F2) and secure by tightening *lock knobs* (B4).

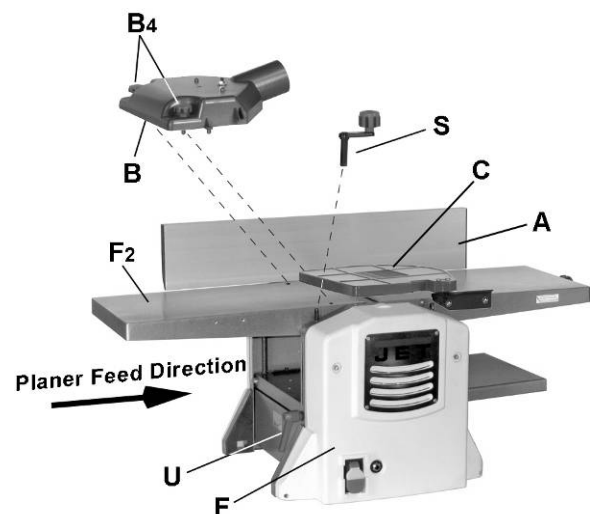


Figure 10

Operating Controls

⚠WARNING Disconnect machine from power source before making any adjustments. Failure to comply may cause serious injury.

Power

Plug power cord into outlet.

Referring to Figure 11:

Start/Stop

Pull the red switch (A) out to start. Push in to stop.

Safety Key

Removing the safety key (B) will render the start/stop switch inoperable. The machine can continue to operate without the key, but upon stopping cannot be restarted until it is reinstalled.

Reset Switch

If the machine should come to an unexpected stop during operation due to overload or jammed work-piece, etc.:

1. Set the start/stop switch (A) set to stop (pushed in).
2. Momentarily press, then release the reset switch (C).
3. Restart machine.

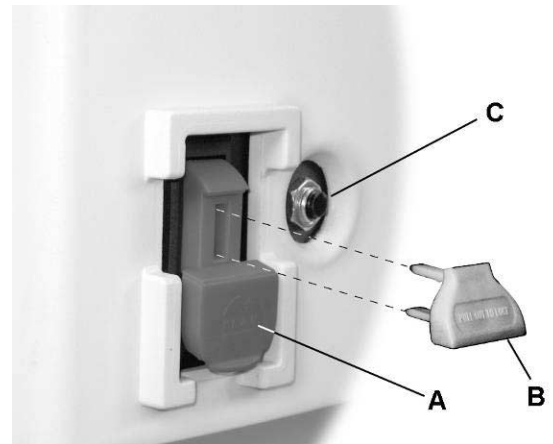


Figure 11

Planer Controls and Adjustments

Referring to Figure 12:

Table Lock

Turn the lock handle (A) counterclockwise to release and permit table adjustment. Turn the lock handle (A) clockwise to secure the planer table (D) in its selected position.

Table Height Adjustment

The planer table height is set as follows:

1. Unlock the table lock (A).
2. Install the removeable adjustment handle (C) onto the shaft (B).
3. Rotate the adjustment handle (C) clockwise to raise the planer table (D), counterclockwise to lower.

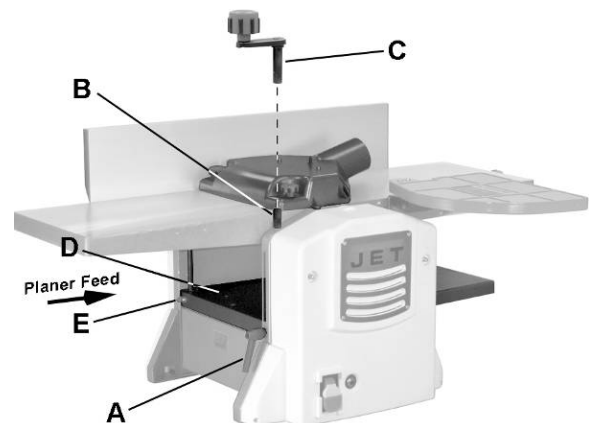


Figure 12

Each revolution of the adjustment handle (C) results in a $3/32$ " up or down movement of the table (D). A scale indicates the amount of table travel. The pointer (E) indicates the table position on the scale relative to the cutterhead.

Jointer Controls and Adjustments

Refer to Figure 13.

Infeed Table Height Adjustment

Two *lock knobs* (F) and a *height adjustment knob* (E) control the height adjustment of the *infeed table* (D).

To adjust:

1. Loosen *lock knobs* (F).
2. Turn the *height adjustment knob* (E) clockwise to raise the *infeed table* (D) or counter-clockwise to lower the table.

The amount of table adjustment can be read on the *scale* (C).

3. Tighten the *lock knobs* (F).

Note: A depth of cut of 1/16" or less is recommended.

Cutterhead Guard

Properly positioned, the *cutterhead guard* (A) should rest against the *fence* (B₁).

Fence Bevel Adjustment

The *fence* (B₂) can be tilted *backward* (G) up to 45° (that is, for a total included angle of 135° from table surface) as follows:

1. Loosen *lock handle* (J).
2. Tilt the *fence* (B₂) back to the desired angle up to 135 degrees (G). Or you can place your beveled reference piece on the table and against the fence, adjusting the fence until the angle of the fence matches the bevel of your gauge piece.
3. Tighten the *lock handle* (J).

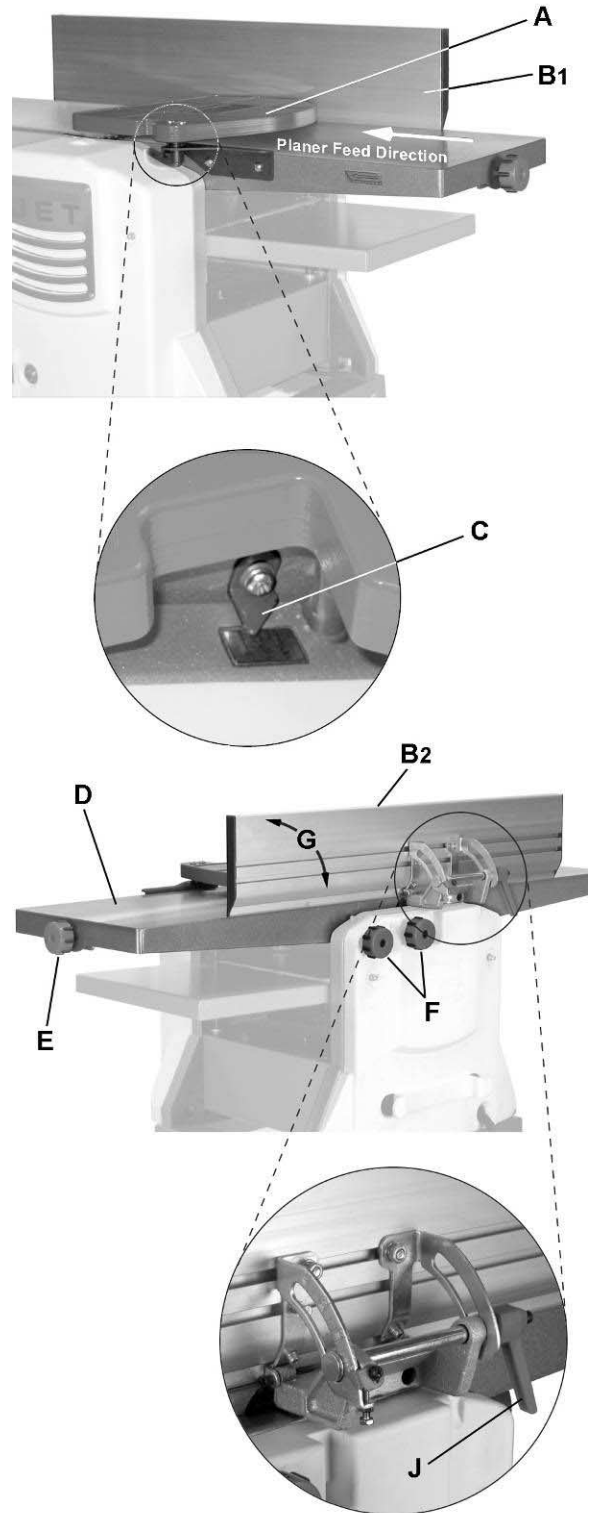


Figure 13

Adjustments

Cutterhead Knife Adjustment

⚠WARNING Cutterhead knives are dangerously sharp! Use extreme caution when inspecting, removing, sharpening or replacing knives into the cutterhead. Failure to comply may cause serious injury!

Determining if adjustment is necessary:

1. Disconnect machine from the power source.
2. Remove the *cutterhead guard*.

Referring to Figures 14 and 15:

Note: To rotate the cutterhead the cutterhead pulley must be turned. This requires removing the panel on the front of the cabinet for access.

3. Rotate the *cutterhead* (E) until one knife is in the 12 o'clock position. The 12 o'clock position is the highest point a blade will reach in the cutting arc (C, Fig. 15).
4. Place the *knife setting gauge* (J) on the *outfeed table* (F). One end of the gauge should be positioned over the *cutting knife* (C) towards the near the end of the blade (G).

⚠CAUTION Use care when handling the knife setting gauge near the blades to prevent damage.

Note the position of the knife blade with respect to the gauge, then move the gauge to the other side of the table towards the *fence* (H) and again note the position of the knife blade with respect to the gauge.

The blade must be at the same height at each end and must also be at the same height as the outfeed table (bottom of gauge). If this is not the case, adjustment is required as follows:

Adjustment procedure

5. Slightly loosen seven *gib lock screws* (A) by turning *into* the *lock bar* (B), clockwise as viewed from the *infeed table* (K).
6. Adjust the blade height by turning *jack screws* (D) upon which the blade rests. To lower the blade, turn the screw clockwise. To raise, turn the screw counter-clockwise.
7. When the blade is at the proper height, alternately tighten the seven *gib lock screws* (A).

Repeat steps 3 – 7 to adjust the remaining blade.

Note: The most common cause for unsatisfactory cutting performance is improperly set knives. Many aftermarket devices are available to further assist in the accurate setting of knives.

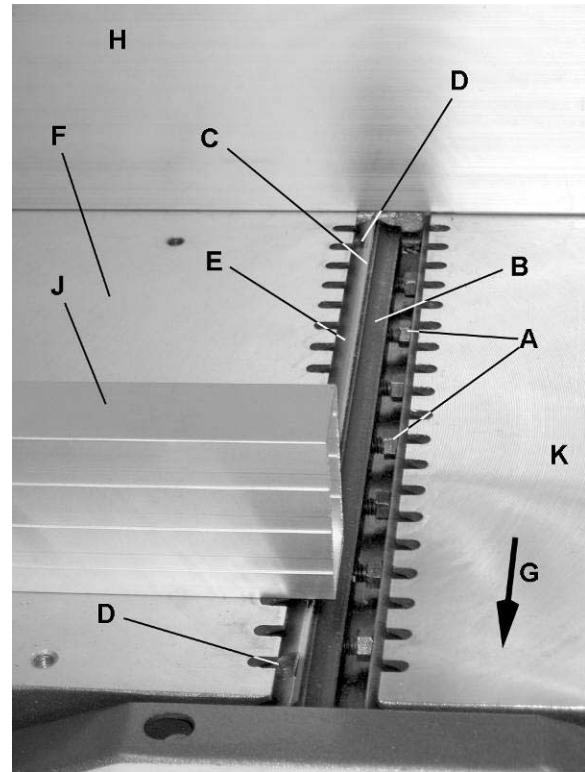


Figure 14

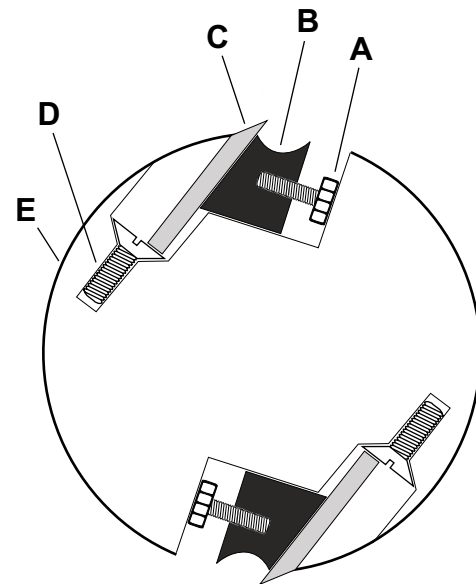


Figure 15

Replacing Cutter Knives

⚠WARNING Disconnect machine from power source before making any adjustments. Failure to comply may cause serious injury.

1. Disconnect machine from the power source.
2. Remove the *cutterhead guard*.

⚠WARNING Cutterhead knives are dangerously sharp. Use extreme caution when inspecting, removing, sharpening, or replacing knives into the cutterhead. Failure to comply may cause serious injury.

Referring to Figures 14 and 15 (page 15):

3. Turn all seven *gib lock screws* (A) into the *lock bar* (B) by turning in a clockwise direction as viewed from the *infeed table* (K).
4. Carefully remove the *cutter knife* (C) and *lock bar* (B).
5. Repeat for the remaining knife.
6. Thoroughly clean all surfaces of the cutterhead, knife slots and lock bars of any dust or debris.
7. Insert the first replacement *knife* (C) into the knife slot, making sure it faces the proper direction.
8. Insert *lock bar* (B) and tighten just enough to hold in place.
9. Repeat for other the remaining blade.

Following installation, the knives must be adjusted as described in *Cutterhead Knife Adjustment* on page 15.

Jointer Fence Adjustment

Referring to Figure 16:

The *jointer fence* (A) can be adjusted from a full forward position (90° to table, corresponding to a scale reading of 0°) to a full back-tilted position of 135° (scale reading of 45°).

If setting to maximum positions do not stop the fence at 0° or 90°, make adjustments as follows:

Fence 90° Adjustment

1. Loosen *lock handle* (H) and bring fence fully forward. Using a square, determine if the fence is 90° to the table.

If adjustment is required:

2. Loosen *jam nut* (E) and adjust *stop screw* (D) in or out until a fence position of 90° with respect to the table is achieved.

3. Secure the *jam nut* (E).

Check the scale indication. If the *indicator* (C) does not point to zero:

4. Loosen *screw* (B), adjust accordingly, then retighten screw.

Fence 45° Adjustment

Verify that the fence and scale indication is accurate at 90° as outlined in *Fence 90° Adjustment* above.

1. Loosen *lock handle* (H) and set the fence all the way back. Using a square, determine if the fence is 135° to the table.

If adjustment is required:

2. Loosen *jam nut* (G) and adjust *stop screw* (F) in or out until a fence position of 135° with respect to the table is achieved. **Note:** The screw head stops against the fence mounting bracket.

3. Secure the *jam nut* (G).

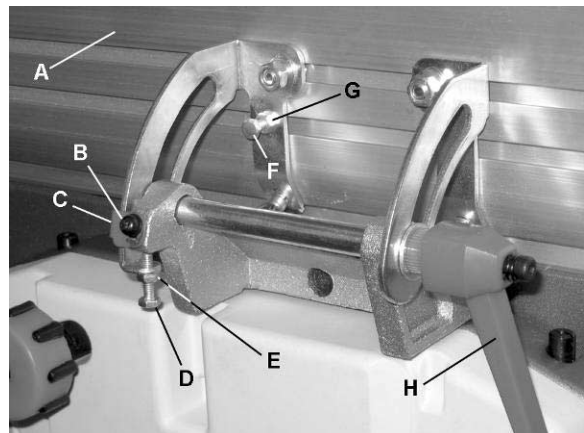


Figure 16

Belt Replacement

Refer to Figure 17 when installing or replacing the *feed-roller (A)* or *cutterhead drive (D)* belts.

▲WARNING Disconnect machine from power source before making any adjustments. Failure to comply may cause serious injury.

Feed-roller Belt Replacement

▲WARNING Cutterhead knives are dangerously sharp. Use extreme caution when replacing any belt. Contact with cutterhead knives will cause serious injury.

1. Remove the front panel. This is the panel where the *Start/Stop* switch is located.
2. Remove *feed-roller belt (A)* from *pulley (B)* while manually rotating *pulley (C)*.

When this is accomplished, belt will fall away from *pulley (C)*.

3. Loop the new belt around *pulley (C)*, then around *pulley (B)* while manually rotating *pulley (C)*.
4. When installed, continue to manually rotate *pulley (C)* and verify that belt is properly seated on both pulleys.
5. Replace front cover.

Cutterhead Drive Belt Replacement

▲WARNING Cutterhead knives are dangerously sharp. Use extreme caution when replacing any belt. Contact with cutterhead knives will cause serious injury.

The cutterhead drive belt should seldom if ever, require replacement. Follow the procedure below if, however, the belt should require replacement.

1. Remove the feed-roller belt as described in *Feed-roller Belt Replacement* above.
2. Remove the bottom portion of the *cutterhead drive belt (D)* from *pulley (E)* while manually rotating *pulley (F)*.

▲WARNING Use extreme caution to avoid contact with cutterhead knives while performing this step. Contact with cutterhead knives will cause serious injury.

3. Remove top portion of belt (D) from pulley F, then work it under the chain and past pulley B to remove completely.

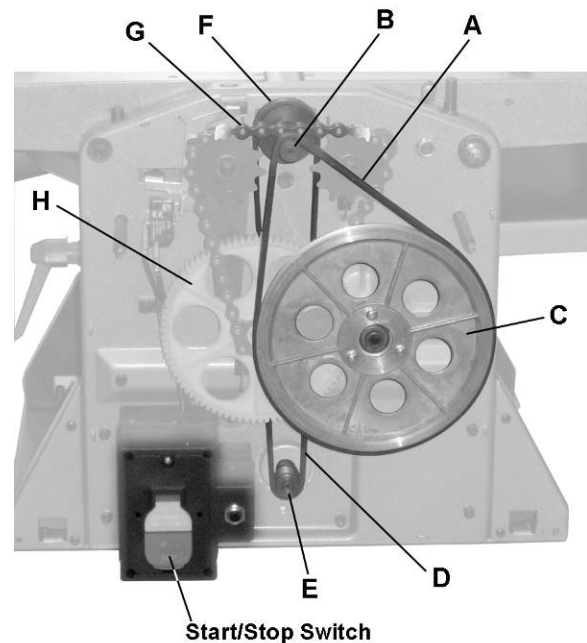


Figure 17

4. Install new belt by first feeding the lower loop downward behind the *gear (H)* and *pulley (C)*. This will properly position the lower loop of the belt in close proximity to *pulley (E)*.
5. Slide the top loop of the belt around and past *pulley (B)*, sliding it underneath and past *chain (G)*; then loop around *pulley (F)*.
6. Loop belt around *pulley (E)* while manually rotating *pulley (F)*.

▲WARNING Use extreme caution to avoid contact with cutterhead knives while performing this step. Contact with cutterhead knives will cause serious injury.

7. Manually rotate pulley (F) to verify that the grooves in the belt are properly meshed with the grooves on both pulleys.

This completes the cutterhead drive belt installation.

8. Replace the feed-roller belt (*Feed-roller Belt Replacement* section steps 3–5).

Basic Operations

Dust Collection

Before initial operation, the machine must be connected to a dust collector.

Important: If a dust collection system is not used, the quality of your cut will suffer severely.

Initial Startup

After the assembly and adjustments are complete the planer is ready to be tested. Plug in and start the machine. Keep your finger on the *Stop* button in case of a problem. The machine should run smoothly with little or no vibration or rubbing noises. Investigate and correct the source of any problems before further operation.

⚠ WARNING DO NOT attempt to investigate or adjust the planer while it is running. Wait until the machine is turned off, unplugged and all working parts have come to a complete standstill.

⚠ WARNING Always wear ANSI-approved safety glasses or goggles when operating equipment.

Changing Mode of Operation

When changing the operating mode (planer to jointer and back) the machine must be turned off, unplugged, and come to a complete stand-still. To change the mode of operation, see sections *Jointer Setup* and *Planer Setup* on page 12.

Jointer Operations

Correct operating position

The operator must be positioned offset to the infeed table (Figure 18).



Figure 18

Hand placement

⚠ WARNING Never pass hands directly over the cutterhead.

Referring to Figure 18:

At the start of the cut, the left hand holds the workpiece firmly against the infeed table and fence while the right hand pushes the workpiece in a smooth, even motion toward the cutterhead. After the cut is under way, the new surface rests firmly on the outfeed table. The left hand is transferred to the outfeed side (Figure 18) and presses down on this part of the workpiece, at the same time maintaining flat contact with the fence. The right hand presses the workpiece forward and before the right hand reaches the cutterhead it should be moved to the work on the outfeed table.

Surfacing

The purpose of surfacing on a jointer is to produce one flat surface (Figure 19). The other side can then be milled to precise, final dimensions on a thickness planer resulting in a board that is smooth and flat on both sides and each side parallel to the other.

- ❑ If the wood to be jointed is cupped or bowed, place the concave side down, and take light cuts until the surface is flat.
- ❑ Never surface pieces shorter than 12 inches or thinner than 3/8 inch without the use of a special work holding fixture.
- ❑ Never surface pieces thinner than 3 inches without the use of a push block.
- ❑ Cuts of approximately 1/16" or less at a time are recommended, which provides for better control over the material being surfaced. More passes can then be made to reach the desired depth.



Figure 19

Direction of Grain

Avoid feeding work into the jointer against the grain (Figure 20).

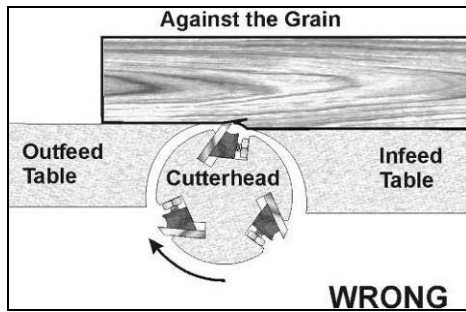


Figure 20

This may result in chipped and splintered edges. Feed *with* the grain to obtain a smooth surface, as shown in Figure 21.

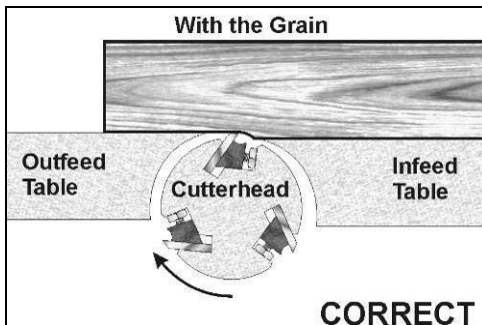


Figure 21

Edge Jointing

Jointing (or edging) is the process of creating a finished, flat *edge surface* that is suitable for joinery or finishing (Figure 22). It is also a necessary step prior to ripping stock to width on a table saw.

- ❑ Never edge a board that is less than 3 inches wide, less than 1/4 inch thick, or 12 inches long, without using a push block.
- ❑ When edging wood wider than 3 inches lap the fingers over the top of the wood, extending them back over the fence such that they will act as a stop for the hands in the event of a kickback.

CAUTION When workpiece is twice the length of the jointer infeed or outfeed table use an infeed or outfeed support.

To edge:

1. Make sure the fence is set to 90°. Double check it with a square.
2. Inspect stock for soundness and grain direction (refer to *Direction of Grain* on previous page).

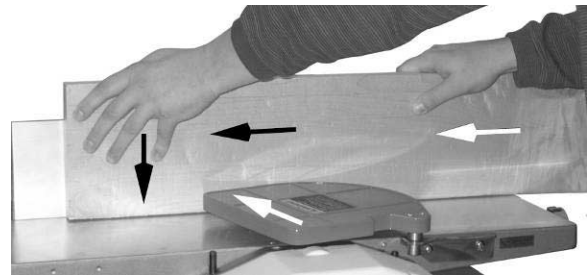


Figure 22

3. If the board is bowed (curved), place the *concave edge down* on the infeed table.
4. Set the infeed table for a cut of approximately 1/16 inch.
5. Hold the stock firmly against the fence and table, feed the stock slowly and evenly over the cutterhead.

Beveling

Beveling an edge is the same operation as edge jointing, except that the fence is tilted to a specified angle.

- Make certain material being beveled is over 12 inches long, more than 1/4 inch thick and 1 inch wide.

To bevel:

1. Use a bevel gauge to determine the desired angle. Then set the fence to the same angle.
2. Inspect stock for soundness and grain direction (refer to *Direction of Grain* on previous page).
3. Set the infeed table for a cut of approximately 1/16.
4. If the board is bowed (curved), place the concave edge down on the infeed table.
5. Feed the stock through the cutterhead, making sure the face of the stock is completely flat against the fence and the edge is making solid contact on the infeed and outfeed tables (Figure 23).

For wood wider than 3 inches – hold with fingers close together near the top of the stock, lapping over the board and extending over the fence.

For wood less than 3 inches wide – use beveled push blocks and apply pressure toward the fence. Keep fingers near top of push block.

Several passes may be required to achieve full bevel.

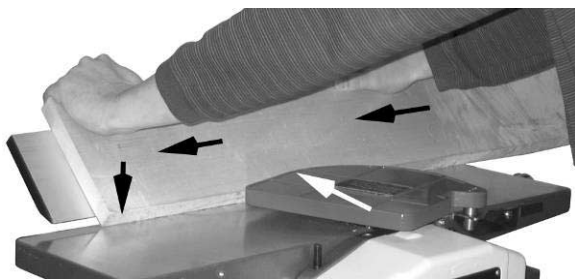


Figure 23

Planer Operations

Depth of Cut

Thickness planing refers to the sizing of lumber to a desired thickness while creating a level surface parallel to the opposite side of the board. Board thickness that the planer will produce is indicated by the *scale* (see *Table Height Adjustment* on page 13). Preset the planer to the desired thickness of the finished workpiece using the gauge. The depth-of-cut is adjusted by raising or

lowering the *planer table* (D, Fig. 12) using the *adjustable handle* (C, Fig. 12).

- The quality of thickness planing depends on the operator's judgment about the depth of cut.
- The depth of cut depends on the width, hardness, dampness, grain direction and grain structure of the wood.
- The maximum thickness of wood that can be removed in one pass is 5/64" for planing operations on workpieces up to 5-1/2" wide. The workpiece must be positioned away from the center tab on the roller case to cut 1/8".
- The maximum thickness of wood that can be removed in one pass is 1/16" for planing operations on workpieces from 5-1/2" up to 10" wide.
- For optimum planing performance, the depth of cut should be less than 1/16".
- The board should be planed with shallow cuts until the work has a level side. Once a level surface has been created, flip the lumber and create parallel sides.
- Plane alternate sides until the desired thickness is obtained. When half of the total cut has been taken from each side, the board will have a uniform moisture content and additional drying will not cause it to warp.
- The depth of cut should be shallower when the workpiece is wider.
- When planing hardwood, take light cuts or plane the wood in thin widths.
- Make a test cut with a test piece and verify the thickness produced.
- Check the accuracy of the test cut before working on the finished product.

Precautions

- A thickness planer is a precision wood-working machine and should be used on quality lumber only.
- Do not plane dirty boards; dirt and small stones are abrasive and will wear out the blade.
- Remove nails and staples. Use the planer to cut wood only.
- Avoid knots. Heavily cross-grained wood makes knots hard. Knots can come loose and jam the blade. Any article that encounters planer blades may be forcibly ejected from the planer creating a risk of injury.

Preparing the Work

- ❑ A thickness planer works best when the lumber has at least one flat surface. Use a jointer to create a flat surface.
- ❑ Twisted or severely warped boards can jam the planer. Rip the lumber in half to reduce the magnitude of the warp.
- ❑ The work should be fed into the planer in the same direction as the grain of the wood. Sometimes the wood will change directions in the middle of the board. In such cases, if possible, cut the board in the middle so the grain direction is correct.

CAUTION Do not plane a board that is less than 6" long. It is recommended that when planing short boards you butt them end to end to avoid kickback and reduce snipe.

Feeding the Work

The planer is supplied with planer blades mounted in the cutterhead. Feed direction is left to right (see Figure 10). The planer feed is automatic; it will vary slightly depending on the type of wood.

Preparation:

- ❑ Feed rate refers to the rate at which the lumber travels through the planer.
- ❑ The operator is responsible for aligning the work so it will feed properly.
- ❑ Raise or lower the table to get the depth of cut desired.
- ❑ The surface that the planer produces will be smoother if a shallower depth of cut is used.
- ❑ Stand on the front side of the machine.
- ❑ Boards longer than 24" should have additional support from free standing material stands. These can be purchased from JET – Stock # 709207. See *Optional Accessories* on page 7.

Planing:

1. Position the workpiece with the face to be planed on top.

Note: Feed direction is left to right (see Figure 10).

2. Turn the planer on.
3. Rest the board end on the infeed side of the table and direct the board into the planer.

4. Slide the workpiece into the infeed side of the planer until the infeed roller begins to advance the workpiece.
5. Let go of the workpiece and allow the automatic feed to advance the workpiece.
6. Do not push or pull on the workpiece. Move to the rear and receive the planed lumber by grasping it in the same manner that it was fed.

CAUTION To avoid the risk of injury due to kickbacks, do not stand directly in line with the front or rear of the planer.

7. Do not grasp any portion of the board that has not gone past the infeed roller.
8. Repeat this operation on all of the boards that need to be the same thickness.

Avoiding Snipe

Snipe refers to a depression at either end of the board caused by an uneven force on the cutterhead when the work is entering or leaving the planer.

Snipe will occur when the boards are not supported properly or when only one feed roller is in contact with the work at the beginning or end of the cut.

Precautions for avoiding snipe:

- ❑ Push the board up while feeding the work until the outfeed roller starts advancing it.
- ❑ Move to the rear and receive the planed board by pushing it up when the infeed roller loses contact with the board.
- ❑ When planing more than one board of the same thickness, butt the boards together to avoid snipe.
- ❑ Make shallow cuts. Snipe is more apparent when deeper cuts are taken.
- ❑ Feed the work in the direction of the grain. Work fed against the grain will have chipped, splintered edges.

Maintenance

Blade Care

⚠ WARNING Blades are extremely sharp! Use caution when cleaning or changing. Failure to comply may cause serious injury!

- ❑ The condition of the blades will affect the precision of the cut. Observe the quality of the cut that the machine produces to check the condition of the blades.
- ❑ Dull blades will tear, rather than cut the wood fibers and produce a fuzzy appearance.
- ❑ Raised grain will occur when dull blades pound on wood that has varying density. A raised edge will also be produced where the blades have been nicked.

When gum and pitch collect on the blades, carefully remove with a strong solvent. Failure to remove gum and pitch build up may result in excessive friction, blade wear and overheating.

When blades become dull, touch up blades. See *Sharpening the Knives*.

Sharpening the Knives

Blades are extremely sharp! Use caution when handling. Failure to comply may cause serious injury!

1. Disconnect the machine from the power source.
2. Remove the blade guard and belt cover.
3. To protect the infeed table from scratches, partially cover the sharpening stone with paper (Figure 24).
4. Lay the stone on the infeed table.
5. Lower the infeed table and turn the cutterhead by turning the cutterhead pulley. The infeed table height is set properly when

the stone's surface is flush with the knife bevel.

6. Keep the cutterhead from rotating by grasping the cutterhead pulley while sliding the stone back and forth across the table.
7. Take the same amount of passes for all two blades.

When the blades have been sharpened and still are not cutting efficiently, trying to touch up the blades further will only cause the formation of a second beveled edge. When this starts to happen, it is time to replace blades with another set. It is recommended to keep a second set of blades on hand so that they may be installed while the first set is being professionally sharpened.

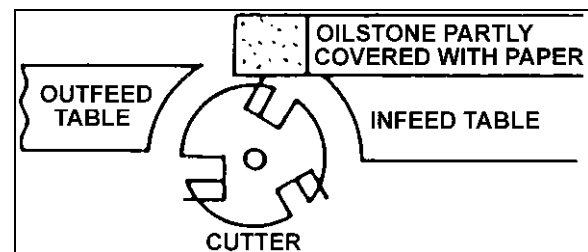


Figure 24

Lubrication

- ❑ Use a good grade of light grease on the steel adjusting screws located in the raising and lowering mechanisms of the work tables.

The cutterhead ball bearings are lifetime lubricated and need no further care.

Troubleshooting

Performance Troubleshooting – Jointer

Trouble	Probable Cause	Remedy
Finished stock is concave on back end.	Knife is higher than outfeed table.	Align cutterhead knives with outfeed table. See <i>Cutterhead Knife Adjustment</i> on page 15.
Finished stock is concave on front end.	Outfeed table is higher than knife.	Align cutterhead knives with outfeed table. See <i>Cutterhead Knife Adjustment</i> on page 15.
Chip out.	Cutting against the grain.	Cut with the grain whenever possible.
	Dull knives.	Sharpen or replace knives.
	Feeding workpiece too fast.	Use slower rate of feed.
	Cutting too deeply.	Make shallower cuts.
	Knots, imperfections in wood.	Inspect wood closely for imperfections; use different stock if necessary.
Fuzzy grain.	Wood has high moisture content.	Allow wood to dry or use different stock.
	Dull knives.	Sharpen or replace knives/inserts.
Cutterhead slows while operating.	Feeding workpiece too quickly, or applying too much pressure to workpiece.	Feed more slowly, or apply less pressure to workpiece.
“Chatter” marks on workpiece.	Knives incorrectly set.	Set knives properly as described in the <i>Cutterhead Knife Adjustment</i> on page 15. Check that knife slots are clean and free of dust or debris.
	Feeding workpiece too fast.	Feed workpiece slowly and consistently.
	Cutting too deeply.	Make shallower cuts.
Uneven knife marks on workpiece.	Knives are nicked, or out of alignment.	Align knives per the <i>Cutterhead Knife Adjustment</i> on page 15. Replace nicked knives.

Performance Troubleshooting – Planer

Trouble	Probable Cause	Remedy
Snipe Note: Snipe can be minimized but not eliminated	Inadequate support of long boards.	Support long boards with extension rollers.
	Dull knives.	Sharpen knives.
	Lumber not butted properly.	Butt end to end each piece of stock as they pass through.
Fuzzy Grain	Planing wood with high moisture content.	Remove high moisture content from wood by drying.
	Dull knives.	Sharpen or replace.
Torn Grain	Too heavy a cut.	Adjust proper depth of cut
	Knives cutting against grain.	Cut along the grain.
	Dull knives.	Sharpen knives.
Rough/Raised Grain	Dull knives.	Sharpen knives.
	Too heavy a cut.	Adjust proper depth.
	Moisture content too high.	Remove high moisture content from wood by drying.
Rounded, glossy surface	Dull knives.	Sharpen or replace knives.
	Feed speed too slow.	Increase speed.
	Cutting depth too shallow.	Increase depth.
	Planer bed rough or dirty.	Clean pitch and residue, and wax planer table.
	Surface of feed rollers clogged.	Clear residue chips off of rollers.
Uneven depth of cut side to side.	Knife incorrectly set.	Adjust knives.
Board thickness does not match depth of cut scale.	Depth of cut scale incorrect.	Adjust depth of cut scale.
"Chatter" marks on workpiece.	Knives incorrectly set.	Set knives properly as described in the <i>Cutterhead Knife Adjustment</i> on page 15. Check that knife slots are clean and free of dust or debris.
	Cutting too deeply.	Make shallower cuts.

Mechanical Troubleshooting – Planer/Joiner

Trouble	Probable Cause	Remedy
Machine will not start/restart or repeatedly trips circuit breaker or blows fuses.	No incoming power.	<ol style="list-style-type: none"> 1. Verify unit is connected to power and Start/Stop switch is in the <i>Start</i> position (see <i>Power</i> on page 13). 2. Verify unit is connected to power. Set the Start/Stop switch to the <i>Stop</i> position, depress and release the reset switch, then reset the Start/Stop switch to the <i>Start</i> position (see <i>Power</i> on page 13).
	Planer frequently trips.	One cause of overloading trips, which are not electrical in nature, is too heavy a cut. The solution is to take a lighter cut.
	Building circuit breaker trips or fuse blows.	Verify that planer is on a circuit of correct size. If circuit size is correct, there is probably a loose electrical lead.
	Motor failure.	If electric motor is suspect, have a qualified electrician test the motor for function or take the machine to a service center and have it tested.
	Dust chute not seated properly on either Joiner Infeed or Planer Table	Adjust the dust chute, making sure that the key on the dust chute depresses the micro-switch on machine.

Parts

Ordering Replacement Parts

To order parts or reach our service department, call 1-800-274-6848 between 7:30am and 5:30pm (CST), Monday through Friday. Having the Model Number and Serial Number of your machine available when you call

Jointer/Planer – Parts List

Note: Parts without part numbers are for reference only and cannot be purchased individually.

Index No.	Part No.	Description	Size	Qty
1	JJP8BT-1	Chain Support Bracket		1
2	JJP8BT-2	Sprocket		1
3	JJP8BT-3	E-Clip	Ø6	1
4	TS-2361051	Lock Washer	M5	42
5	TS-1540031	Hex Nut	M5	9
6	TS-1550031	Flat Washer	M5	22
7	JJP8BT-7	Corner Sprocket		4
8	JJP10BT-8	Chain		1
9	JJP10BT-9	Base		1
10	JJP8BT-10	Infeed Pointer Label		1
11	TS-1502031	Socket Head Cap Screw	M5x12	3
12	JJP8BT-12	Driven Lead Screw		3
13	JJP8BT-13	Drive Lead Screw		1
14	JJP10BT-14	Extension Table		1
15	TS-1503021	Socket Head Cap Screw	M6x10	3
16	JJP8BT-16	Crank Arm Bushing		1
18	JJP10BT-18	Main Table		1
19	JJP8BT-19	Crank Arm		1
20	JJP8BT-20	Guide Rail		2
21	TS-1503041	Socket Head Cap Screw	M6x16	4
23	JJP8BT-23	Knob Screw		1
24	JJP8BT-24	Knob		1
25	JJP8BT-25	Locking Handle		2
27	TS-1532032	Pan Head Machine Screw	M4x10	3
28	TS-2361041	Lock Washer	M4	3
29	JJP8BT-29	Pointer		1
31	TS-1540021	Hex Nut	M4	2
32	JJP8BT-32	Cord Clamp		1
33	TS-1532052	Pan Head Machine Screw	M4x16	2
34	JJP8BT-34	Cover		2
35	JJP8BT-35	Rear Support		1
36	JJP8BT-36	Self-Tapping Screw	ST4.2x10	10
37	JJP8BT-37	Scale		1
38	TS-1502011	Socket Head Cap Screw	M5x8	13
39	JJP8BT-39	Power Cord Protector		1
40	JJP8BT-40	Rear Support Cover		1
41	JJP8BT-41	Pin		2
42	JJP8BT-42	Self-Tapping Screw	ST4.2x20	4
43	JJP8BT-43	Power Cord		1
44	JJP8BT-44	Screw		2
45	JJP8BT-45	Spring		2
46	TS-1550031	Flat Washer	M5	4
47	TS-2331051	Cap Nut	M5	4
48	JJP8BT-48	Thread Lock Bushing		4
49	TS-1540031	Hex Nut	M5	2

Jointer/Planer – Parts List

Index No.	Part No.	Description	Size	Qty
50	JJP8BT-50	Outfeed Table Spacer		4
51	JJP8BT-51	Infeed Table Spacer		4
52	JJP8BT-52	Bearing		1
53	JJP8BT-53	Spring		2
54	JJP8BT-54	Bushing Block		5
55	JJP8BT-55	Spring		1
56	JJP10BT-56	Roller		2
57	707411	Knife		2
59	JJP8BT-59	Pin		4
60	JJP10BT-60	Knife Gib		2
61	JJP8BT-61	Screw		14
62	JJP10BT-62	Cutterhead		1
63	TS-1540041	Hex Nut	M6	6
64	JJP10BT-64	Outfeed Table		1
65	TS-1550021	Flat Washer	M4	3
66	TS-1501041	Socket Head Cap Screw	M4x12	2
67	JJP8BT-67	Fence Support		1
68	TS-1550041	Flat Washer	M6	8
69	TS-2361061	Lock Washer	M6	9
70	TS-1482021	Hex Cap Screw	M6x12	2
71	JJP8BT-71	Fence Bracket		1
72	JJP8BT-72	Screw		2
73	TS-1503061	Socket Head Cap Screw	M6x25	2
74	JJP8BT-74	Washer		6
75	JJP8BT-75	Locking Nut		2
76	JJP8BT-76	Angle Pointer		1
77	JJP8BT-77	Pin		1
78	JJP8BT-78	Shaft		1
79	JWBS10OS-110	Carriage Bolt	M6x16	1
80	JJP8BT-80	Hex Cap Screw	M4x15	2
81	JJP8BT-81	Angle Marked Fence Support		1
82	JJP10BT-82	Fence		1
83	JJP10BT-83	Hose Adapter		1
84	JJP10BT-84	Knob		2
85	JJP10BT-85	Dust Chute		1
86	JJP8BT-3	E-Clip	Ø6	2
87	JJP8BT-87	Pointer		1
88	JJP8BT-88	Infeed Direction Label		1
89	TS-1533042	Pan Head Machine Screw	M5x12	3
90	JJP8BT-90	Knob		1
91	JJP10BT-91	Adjusting Rod		1
92	TS-1541031	Nylon Insert Lock Nut		2
93	JJP10BT-93	Shaft		1
94	JJP8BT-94	Bracket		1
95	JJP8BT-95	Cushion Block		1
96	JJP10BT-96	Cutterhead Guard		1
97	TS-2245081	Flat Head Screw	M5x8	2
98	JJP8BT-98	Post		1
99	JJP8BT-99	Spring		1
100	JJP8BT-100	Support Bracket		1
101	TS-1534052	Pan Head Machine Screw	M6x16	2
102	JJP8BT-102	Retaining Ring		1
103	TS-2361081	Lock Washer	M8	2
104	TS-1504051	Socket Head Cap Screw	M8x25	2
107	JJP10BT-107	Shield		1
108	JJP10BT-108	Shaft		1

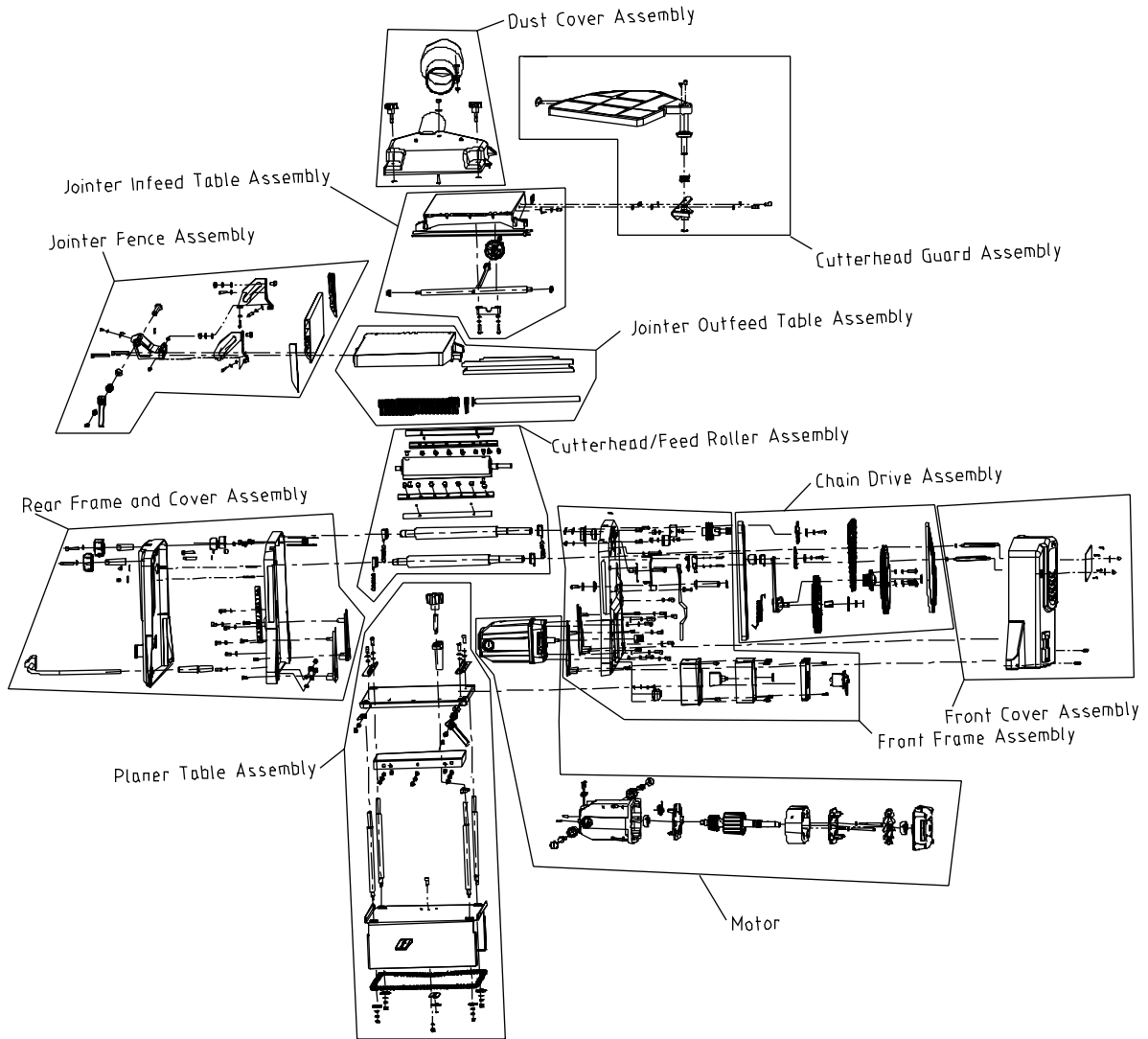
Jointer/Planer – Parts List

Index No.	Part No.	Description	Size	Qty
109	JJP8BT-109	Washer		29
110	JJP8BT-110	Anti-Kickback Finger		56
111	JJP8BT-111	Bearing Cover		1
112	JJP8BT-112	Bearing		1
113	JJP8BT-113	Front Support		1
114	JJP8BT-114	Cut Depth Scale Label		1
115	JJP8BT-115	Spring		1
116	TS-1502021	Socket Head Cap Screw	M5x10	6
117	JJP8BT-117	Switch Mount		1
118	JJP8BT-118	Switch		1
119	JJP8BT-119	Pulley		1
120	JJP8BT-120	Belt		1
121	JJP8BT-121	Spacer		1
122	JJP8BT-122	Sprocket		2
123	JJP8BT-123	Socket Head Cap Screw	M6x15	2
124	JJP8BT-124	Drive Chain		1
125	JJP8BT-125	Gear		1
126	JJP8BT-126	Pulley		1
127	TS-1533062	Pan Head Machine Screw	M5x20	3
128	JJP8BT-128	Key		1
129	JJP8BT-129	Belt		1
130	JJP8BT-130	Shaft		2
131	JJP8BT-131	Front Support Cover		1
132	JJP8BT-132	JET Nameplate		1
133	JJP8BT-133	Key		1
134	JJP8BT-134	Washer		1
135	JJP8BT-135	Sprocket		1
136	JJP8BT-136	Square Spacer		1
137	JJP8BT-137	Gear		1
138	JJP8BT-138	Gear Bracket		1
139	JJP8BT-139	Spring		1
140	JJP8BT-140	Key		1
141	JJP8BT-141	Pan Head Machine Screw	M3x18	2
142	TS-2361031	Lock Washer	M3	2
143	TS-1550011	Flat Washer	M3	2
144	JJP8BT-144	Wire Clamp		1
145	JJP8BT-145	Wire		1
146	JJP8BT-146	Motor Pulley		1
147	JJP8BT-147	Screw		1
148	JJP8BT-148	Bracket		1
149	JJP8BT-149	Washer		1
150	TS-2361081	Lock Washer	M8	1
151	JJP8BT-151	Socket Head Cap Screw	M8x15	1
152	JJP8BT-152	Motor		1
153	JJP8BT-153	Cover		2
154	JJP8BT-154	Star Washer	M4	1
155	JJP8BT-155	Strain Relief		2
156	JJP8BT-156	Switch Box		1
157	TS-1533032	Pan Head Machine Screw	M5x10	2
158	JJP8BT-158	Overload Switch		1
159	JJP8BT-159	Switch Box Cover		1
160	JJP8BT-160	Self-Tapping Screw	ST4.2x15	4
161	JJP8BT-161	Nut		1
162	JJP8BT-162	On/Off Switch		1
	JJP8BT-162-1	Switch Safety Key (not shown)		1
163	JJP8BT-163	Shaft		1

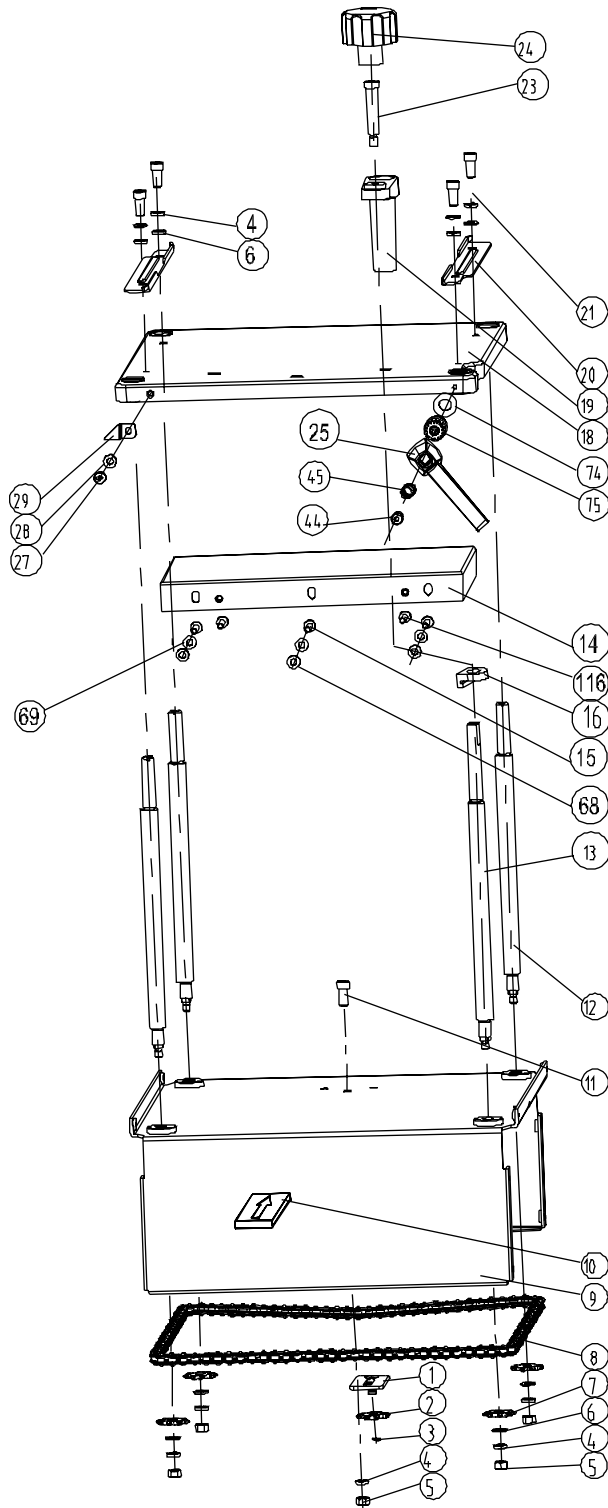
Jointer/Planer – Parts List

Index No.	Part No.	Description	Size	Qty
164	JJP10BT-164	Infeed Table		1
165	TS-1521051	Set Screw	M4x12	2
166		Cord Clamp		1
167		Motor Housing		1
168	JJP8BT-168	Brush Holder		2
169	JJP8BT-169	Brush		2
170	JJP8BT-170	Brush Cap		2
171		Bearing		1
172		Inductor		1
173		Stator Insulation Pan.		1
174		Armature		1
175		Stator		1
176		Stator Insulation Pan.		1
177		Self-Tapping Screw	ST5x56	2
178	JJP8BT-178	Fan		1
179		Bearing		1
180	JJP8BT-180	Motor Cover		1
181	JJP8BT-181	Switch Box Faceplate		1
182	JJP8BT-182	Jack Screw		4
183	JJP8BT-183	Rivet	Ø3x10	4
185	JJP8BT-185	Lock Shaft 1		1
186	JJP10BT-186	Fence End Cover 1		1
187	JJP10BT-187	Fence End Cover 2		1
188	JJP8BT-188	Lock Shaft 2		1
189	JJP10BT-189	Rod		2
	708815	Push Block (not shown)		2
	JJP8BT-KSG	Knife/Blade Setting Gauge (not shown)		1

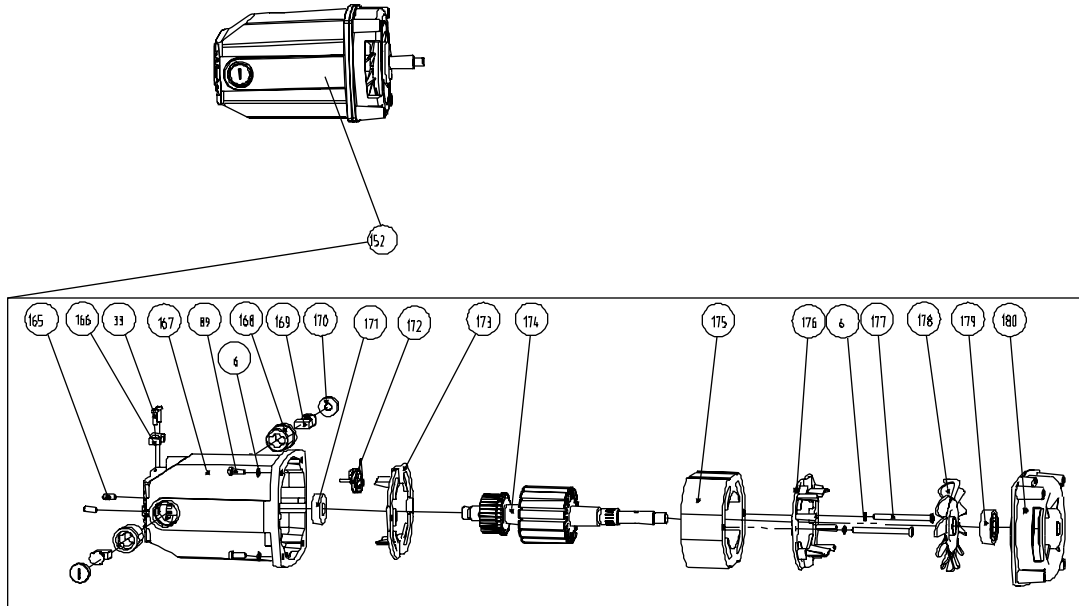
10" JOINTER-PLANER ASSEMBLY DRAWING INDEX



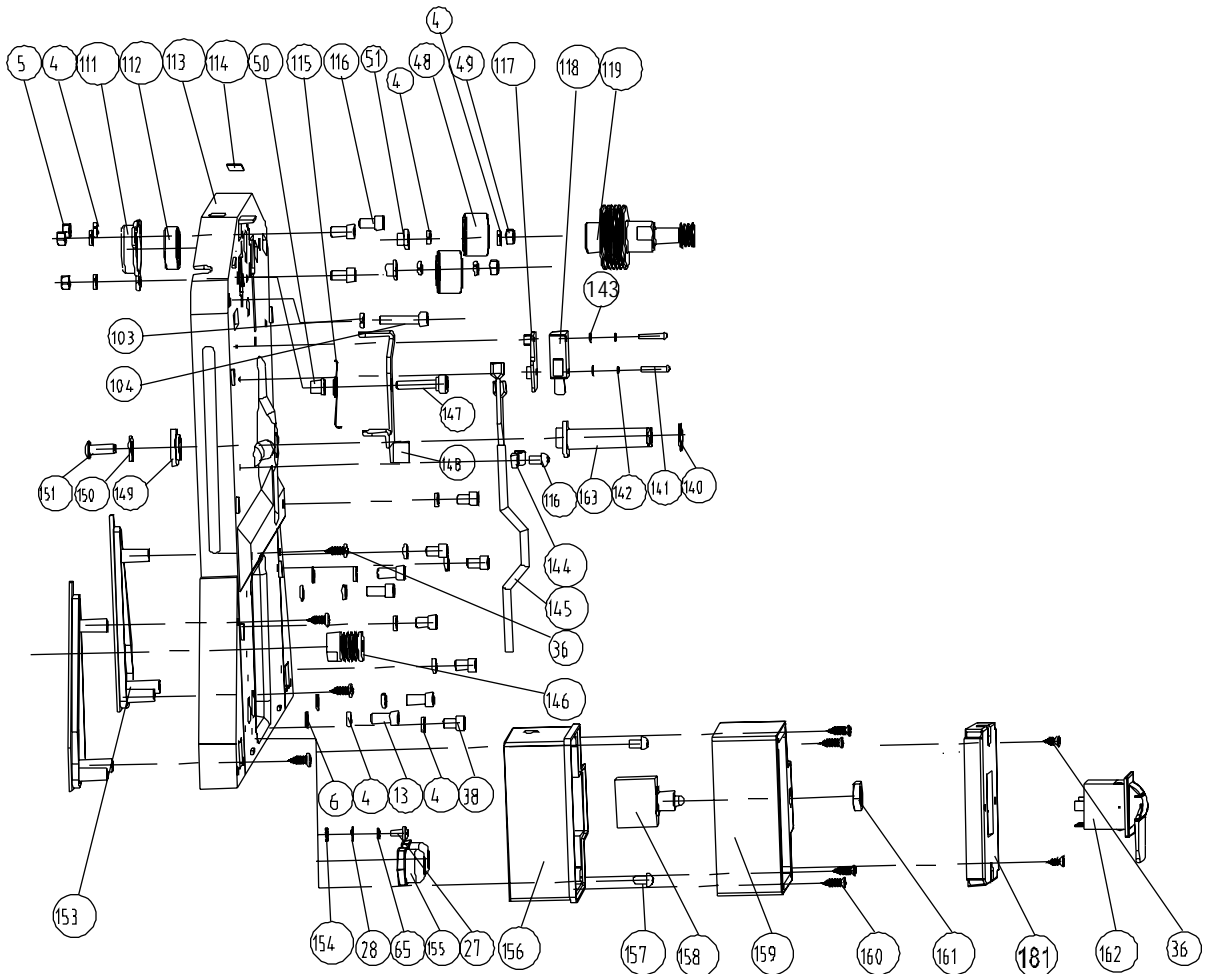
Planer Table Assembly



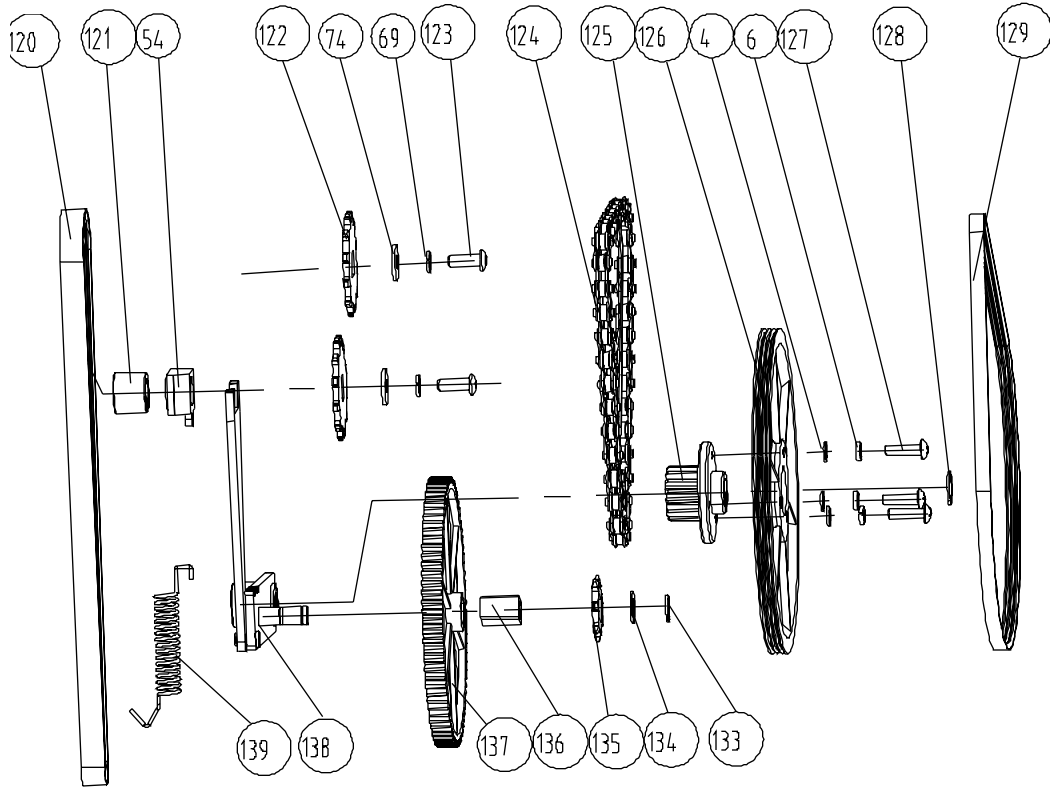
Motor



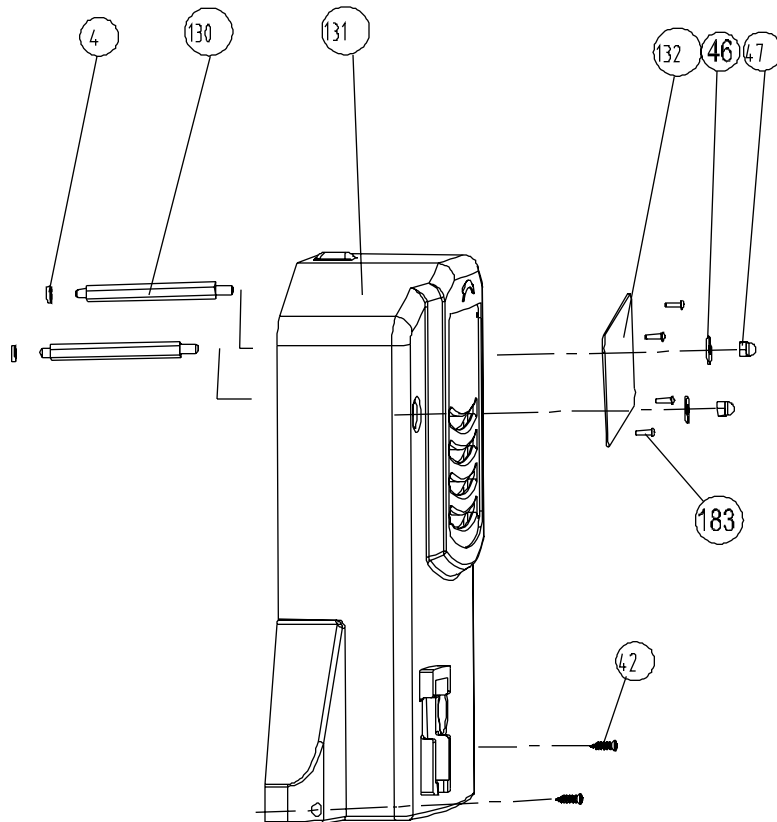
Front Frame Assembly



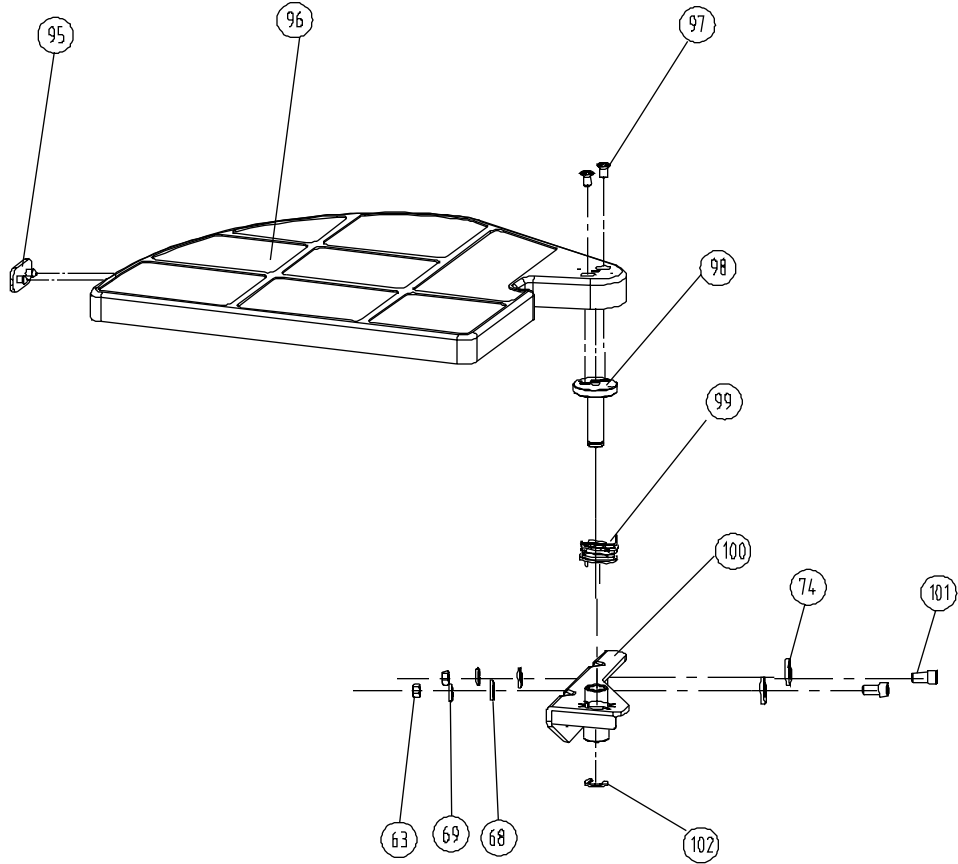
Chain Drive Assembly



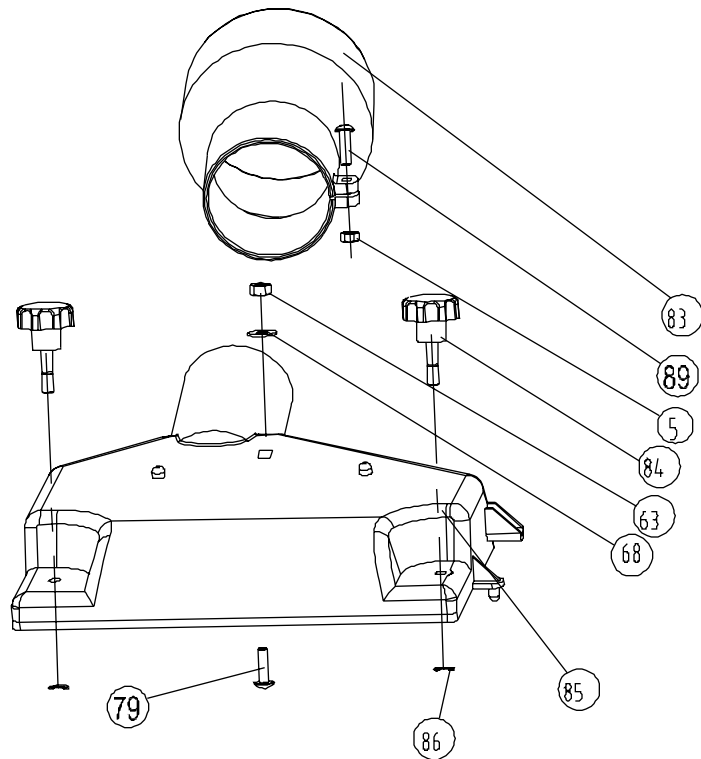
Front Cover Assembly



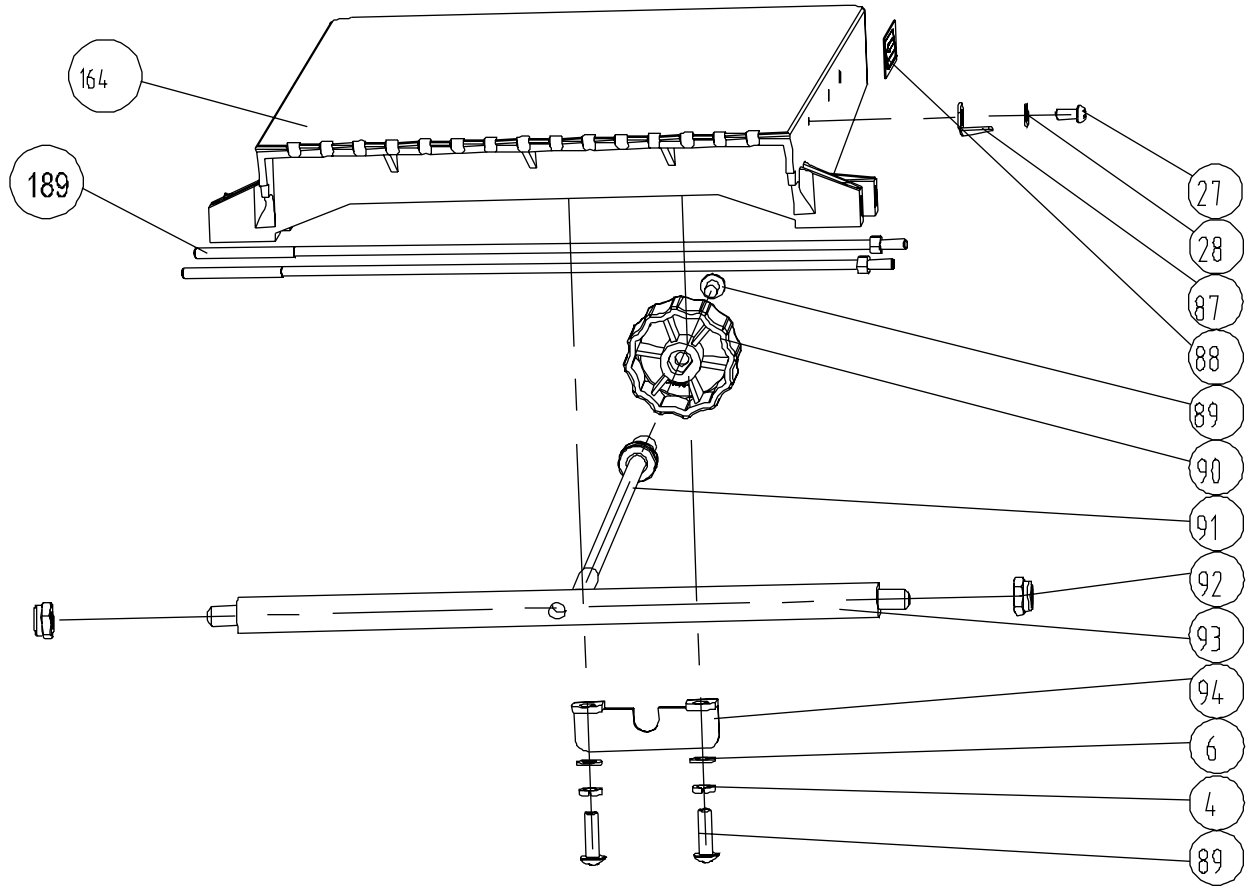
Cutterhead Guard Assembly



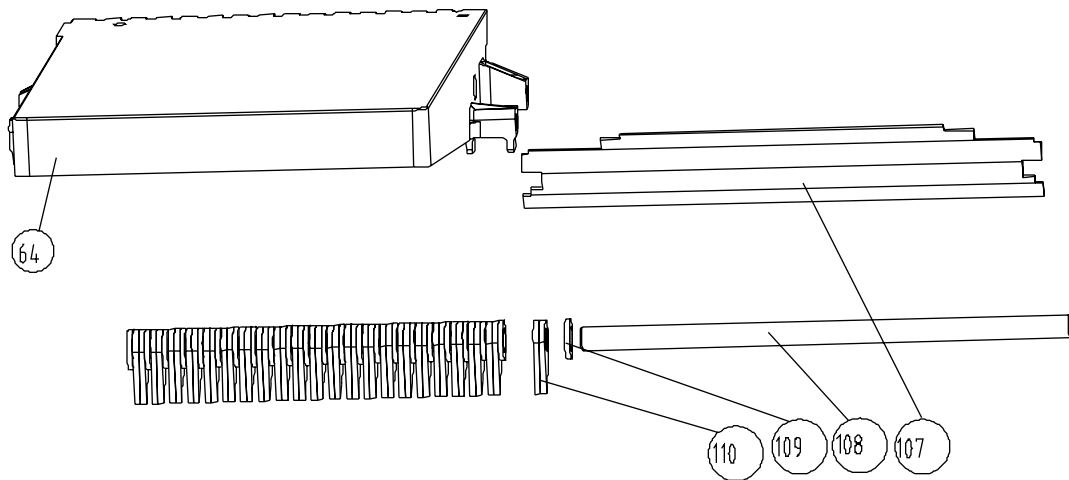
Dust Cover Assembly



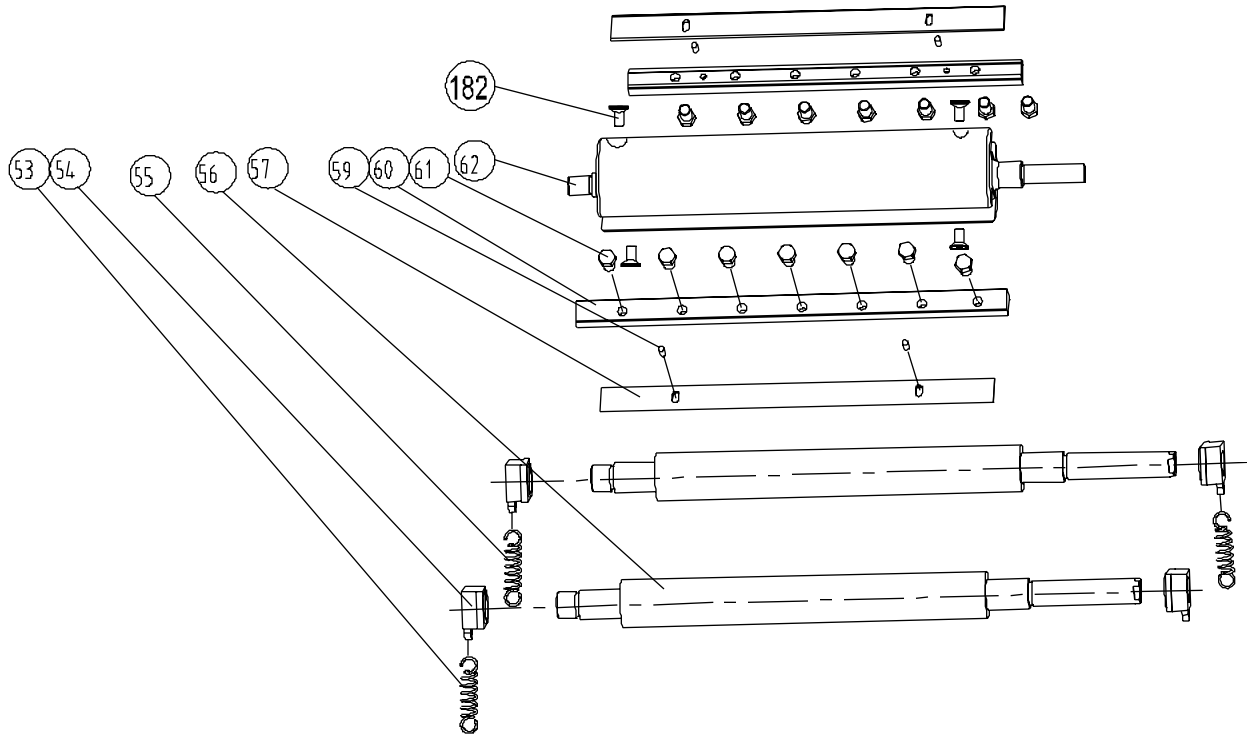
Jointer Infeed Table Assembly



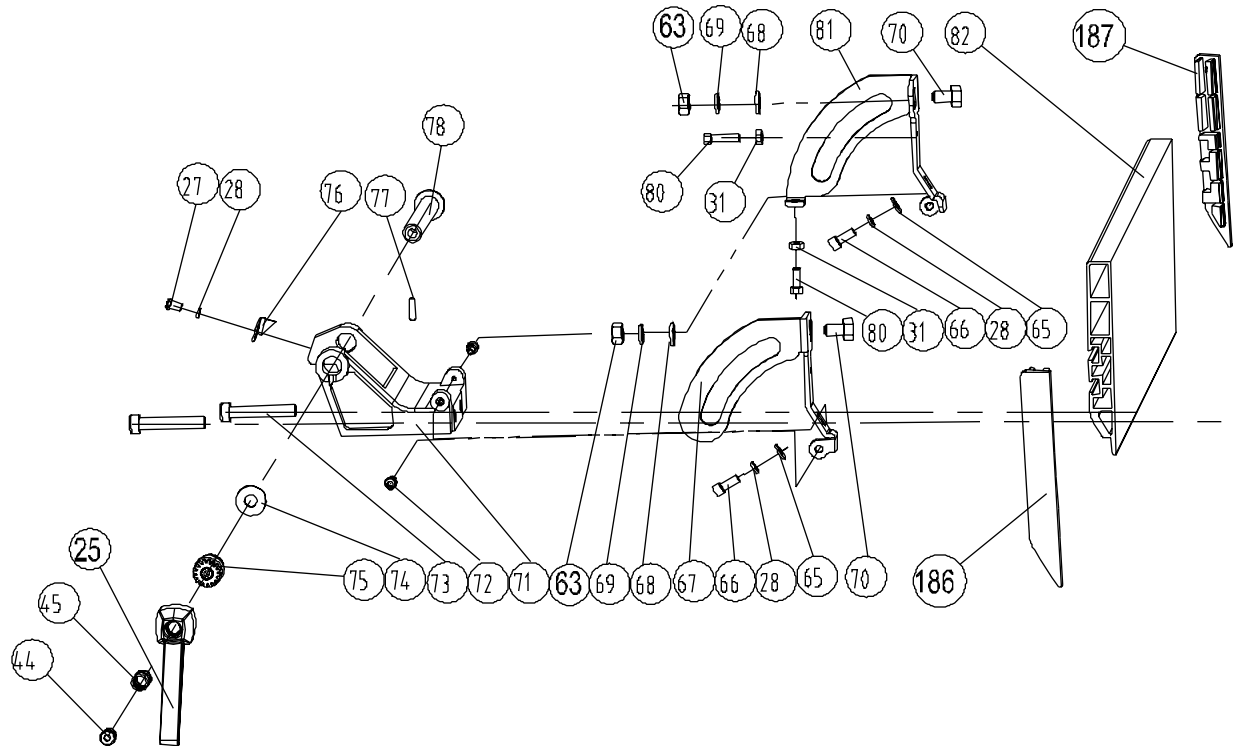
Jointer Outfeed Table Assembly (10")



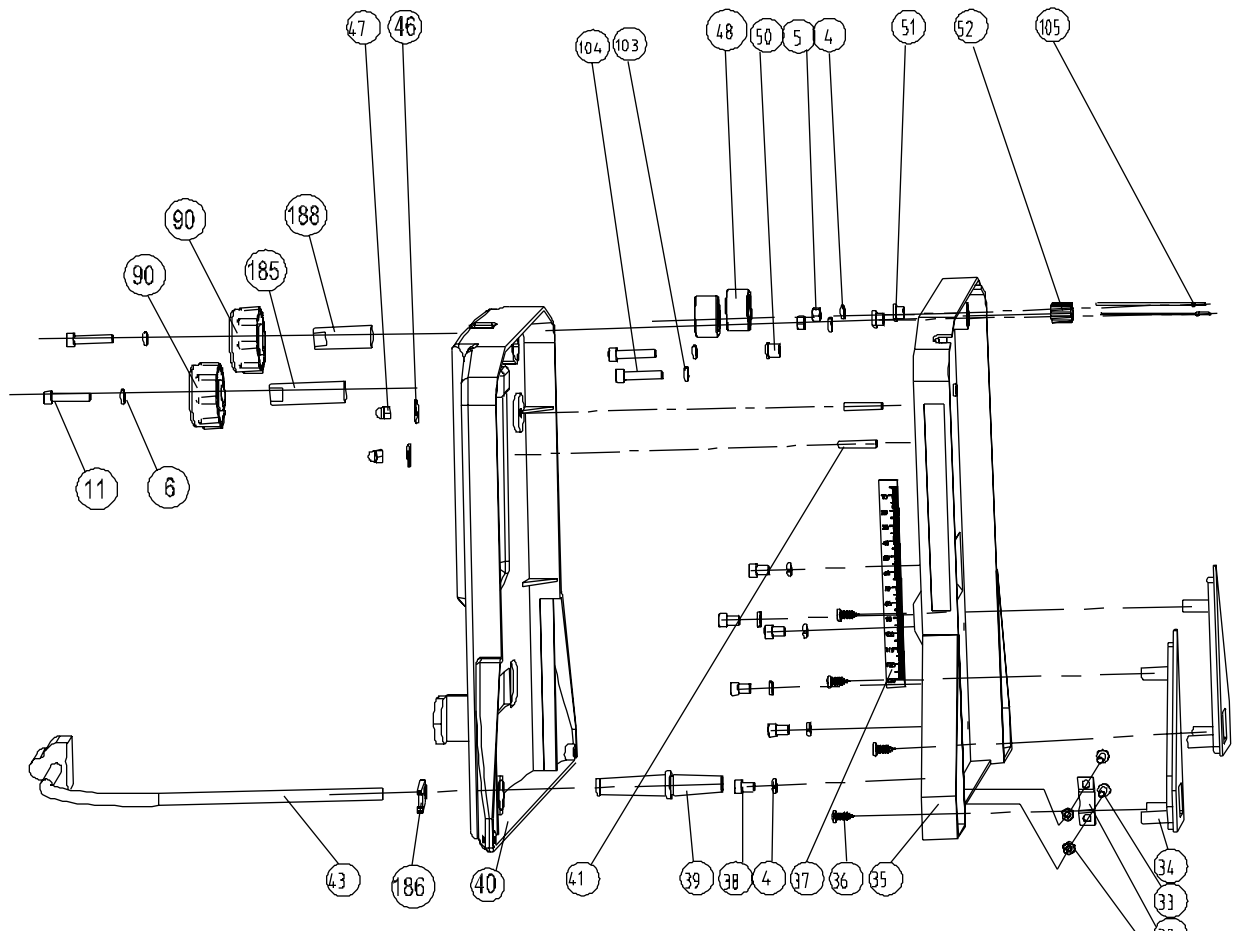
Cutter Head/Feed Roller Assembly



Jointer Fence Assembly

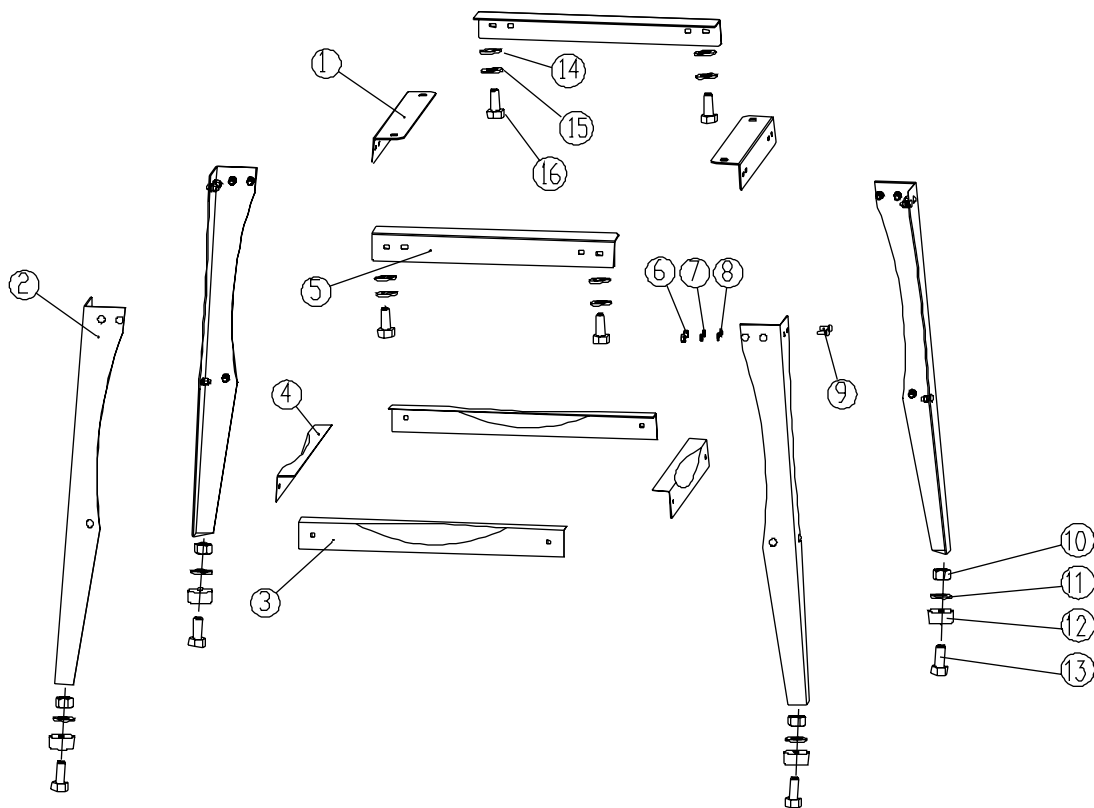


Rear Frame and Cover Assembly

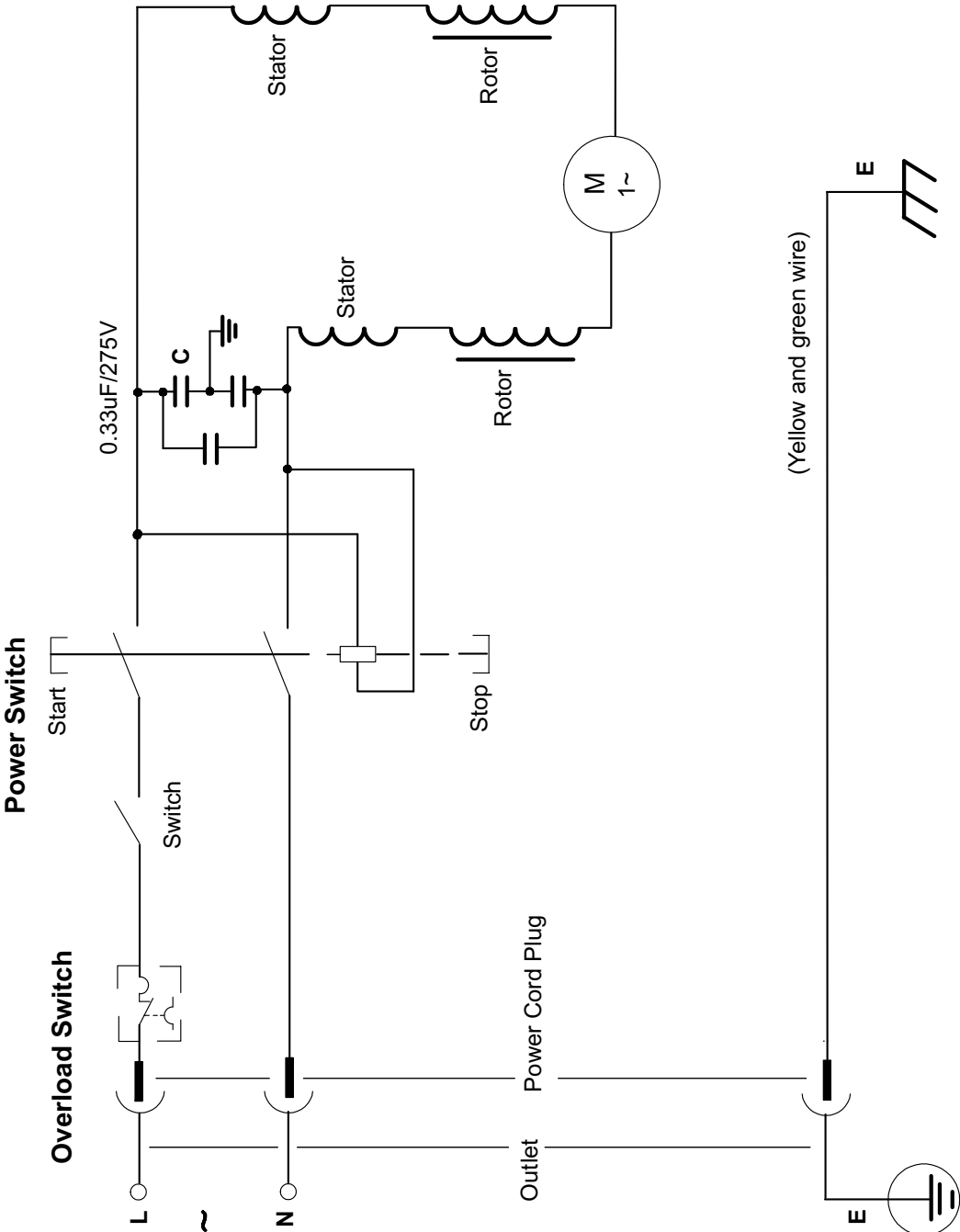


Jointer/Planer Stand

Index No.	Part No.	Description	Size	Qty
1	JJP10BT-901	Stand Top Support, Short		2
2	JJP10BT-902	Leg		4
3	JJP10BT-903	Support Plate, Long		2
4	JJP10BT-904	Support Plate, Short		2
5	JJP10BT-905	Stand Top Support, Long		2
6	TS-1540041	Hex Nut	M6	24
7	TS-2361061	Lock Washer	M6	24
8	TS-1550041	Flat Washer	M6	24
9	708315-63	Carriage Bolt	M6x12	24
10	TS-1540041	Hex Nut	M6	4
11	TS-1550041	Flat Washer	M6	4
12	JJP10BT-912	Rubber Foot		4
13	TS-1482041	Hex Cap Screw	M6x20	4
14	TS-1550061	Flat Washer	M8	4
15	TS-2361081	Lock Washer	M8	4
16	TS-1504041	Socket Head Cap Screw	M8x20	4



Electrical Connection





WALTER MEIER (Manufacturing) Inc.

427 New Sanford Road
LaVergne, Tennessee 37086
Phone: 800-274-6848
www.waltermeier.com