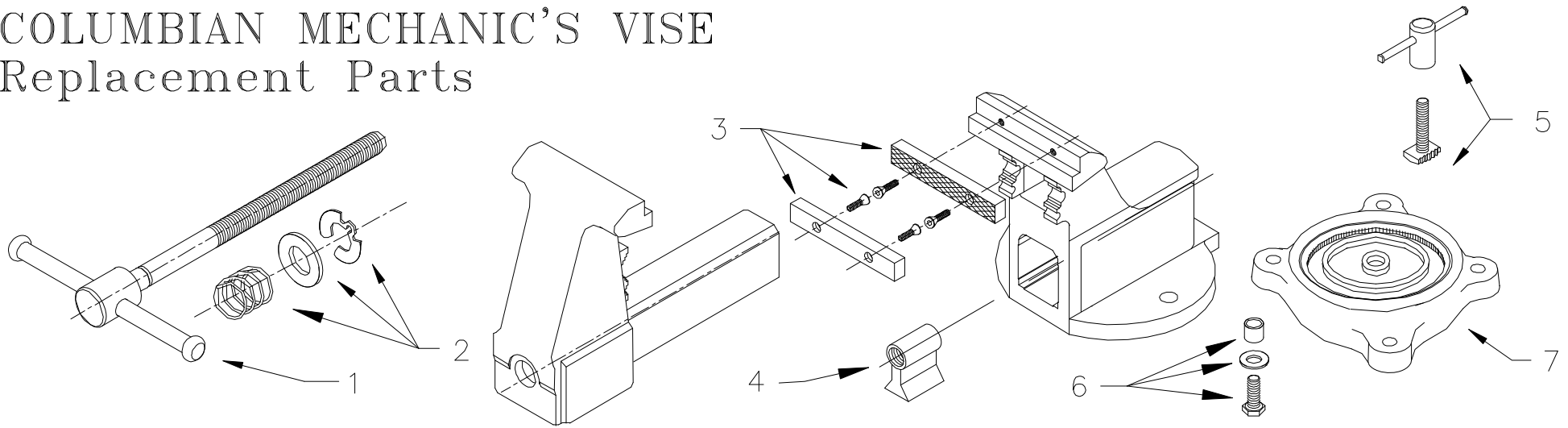


COLUMBIAN MECHANIC'S VISE

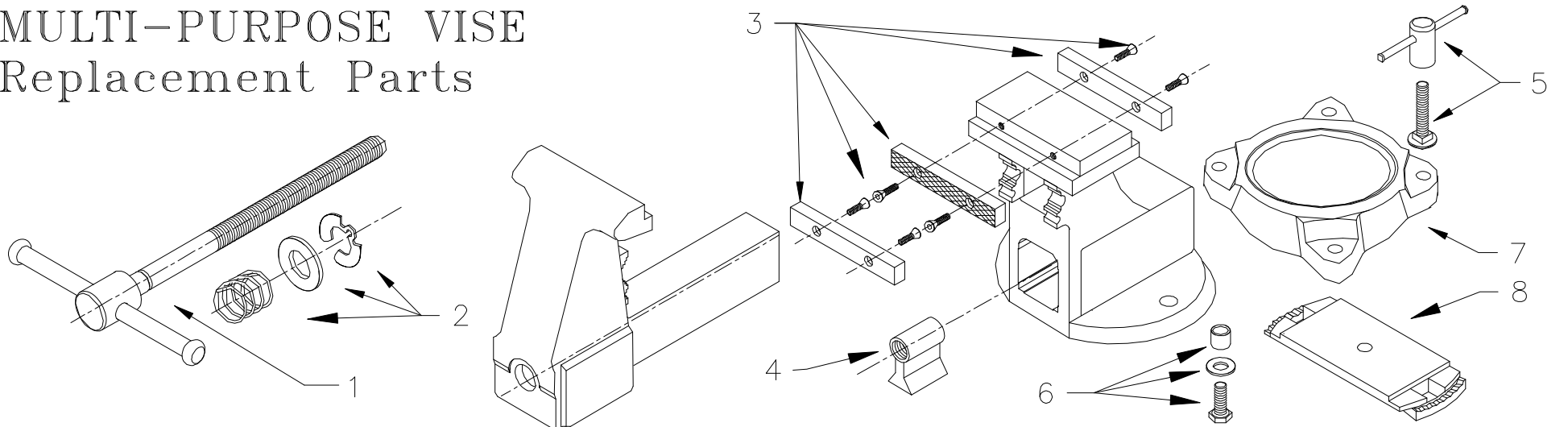
Replacement Parts



WILTON MODEL NUMBER	WIDTH OF JAWS (ITEM #3)	ITEM #1 SPINDLE & HANDLE ASSEMBLY	ITEM #2 SPRING CLIP & WASHER	ITEM #3 JAW INSERTS WITH SCREWS	ITEM #4 SPINDLE NUT ONLY	ITEM #5 LOCK NUT AND BOLT ASSEMBLIES	ITEM #6 CENTER BOLT ASSEMBLY	ITEM #7 OUTER RING ONLY
414	4-1/2"	NOT AVAIL.	11104S25	11104S41	11114-15	10203S51	11103S50	NOT AVAIL.
415	5-1/2"	11105S23	11105S25	11105S41	11115-15	10203S51	11103S50	NOT AVAIL.

MULTI-PURPOSE VISE

Replacement Parts



WILTON MODEL NUMBER	WIDTH OF JAWS (ITEM #3)	ITEM #1 SPINDLE & HANDLE ASSEMBLY	ITEM #2 SPRING, RETAINER, & WASHER	ITEM #3 JAW INSERT ASSEMBLY W/ SCREWS	ITEM #4 SPINDLE NUT ONLY	ITEM #5 LOCK NUT AND BOLT ASSEMBLIES	ITEM #6 CENTER BOLT ASSEMBLY	ITEM #7 OUTER RING ONLY	ITEM #8 SWIVEL LOCKING RING
4500	5-1/2"	87005-21	11105S25	11115S41	11206S14	11106S51	11106S50	11206S03	11206S13