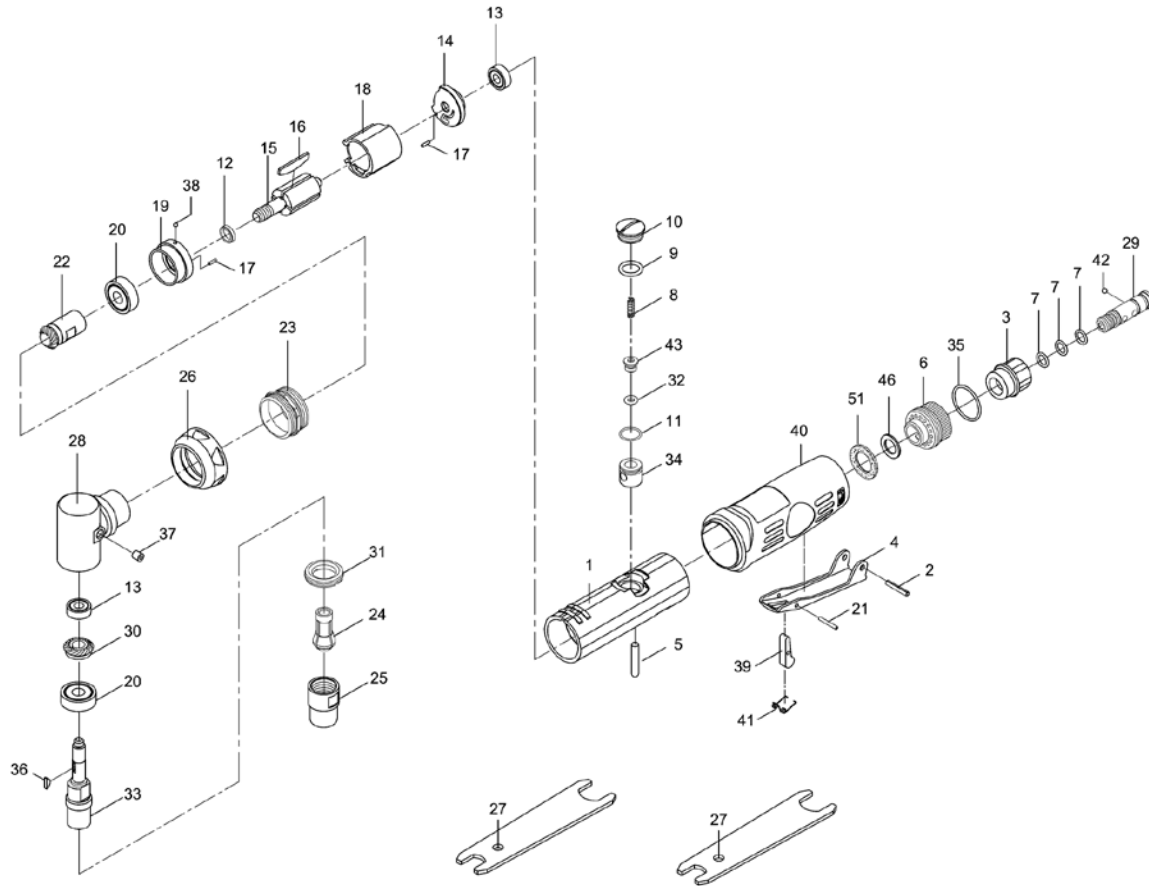




JSM-5252

90° Right Angle Die Grinder

Stock No. JSM-5252



Index Part No	Description	Qty
1	JSM5252-01 .. Motor Housing	1
2	40337 .. Lever Pin (3x18L)	1
3	JSM5252-03 .. Air Inlet	1
4	JSM5252-04 .. Throttle Lever	1
5	JSM5252-05 .. Valve Shaft	1
6	JSM5252-06 .. Deflector	1
7	JSM3330-46 .. O-Ring (7.5x1.5)	3
8	JSM5252-08 .. Spring	1
9	JSM5252-09 .. O-Ring (9.8x1.9)	1
10	JSM5252-10 .. Valve Screw	1
11	52236 .. O-Ring (10.5x1)	1
12	52212 .. Rotor Spacer	1
13	BB-696ZZ .. Ball Bearing (696ZZ)	2
14	52214 .. Rear End Plate	1

Index Part No	Description	Qty
15	52215 .. Rotor	1
16	52216 .. Rotor Blade	4
17	SM-30117 .. Spring Pin (1.5x6)	2
18	52218 .. Cylinder	1
19	52219 .. Front End Plate	1
20	BB-608ZZ .. Ball Bearing (608ZZ)	2
21	JSM5252-21 .. Spring Pin (2x15L)	1

Parts List continued on back

To order parts, call our service department at 800-274-6848 Monday through Friday (see our website for business hours, www.jettools.com). Having the Model Number and Serial Number will allow us to serve you quickly and accurately.

JET

427 New Sanford Road
LaVergne, Tennessee 37086
Ph.: 800-274-6848
www.jettools.com

Part No. M-JSM-5252
Revision A3 06/2014
Copyright © 2014 JET

