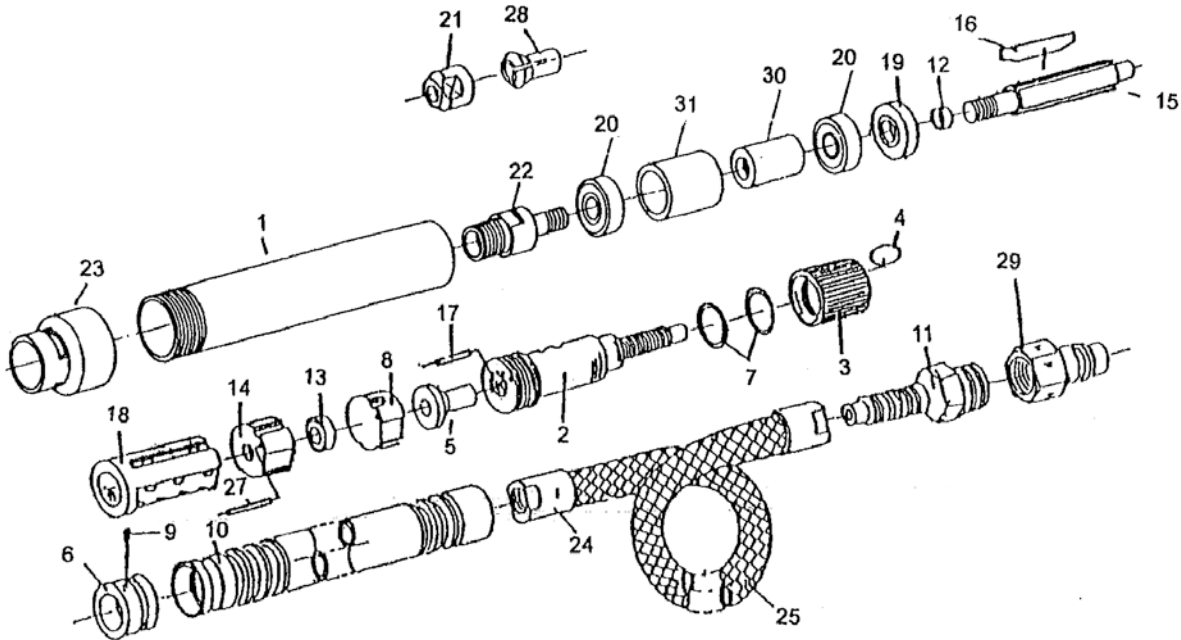




# JSM-516N Die Grinder

Stock No. JSM-516N



Index	Part No	Description	Qty
1	51601N	Housing	1
2	51602	Connector	1
3	51603	Air Controller	1
4	51604	Bushing	1
5	51605	Intake Steel Tube	1
6	51606	Holder	1
7	51607	O-Ring	2
8	51608	Intake Plate	1
9	51609	Set Screw	1
10	51610	Muffler Hose	1
11	51611	Inlet	1
12	51612	Spacer	1
13	BB-693ZZ	Ball Bearing	1
14	51614	Rear End Plate	1
15	51615N	Rotor	1
16	51616	Vane	3
17	51617	Pin	1
18	51618	Cylinder	1
19	51619	Front End Plate	1
20	BB-695ZZ	Ball Bearing	2
21	51621	Nut	1

Index	Part No	Description	Qty
22	51622N	Spindle	1
23	51623N	Lock Nut	1
24	51624	Hose Plug	2
25	51625	Rubber Hose	1
	51626N	Spanner (not shown)	1
27	51627	Pin	1
28	51628	Collet	1
29	51629	Nipple	1
30	51630	Inner Bearing	1
		Retainer Bushing	
31	51631	Outer Bearing	1
		Retainer Bushing	
	RBK-516	Rebuild Kit	1
		(includes index #7,16,18,21,28)	

To order parts, call our service department at 800-274-6848 Monday through Friday (see our website for business hours). Having the Model Number and Serial Number will allow us to serve you quickly and accurately.

## JET

427 New Sanford Road  
LaVergne, Tennessee 37086  
Ph.: 800-274-6848  
www.jettools.com

**Part No. M-JSM-516N**  
Revision B1 06/2014  
Copyright © 2014 JET

**Specifications**

Stock number.....	JSM-516N
Collet size (in.) .....	1/8
Horsepower .....	1/16 HP
Free speed (RPM) .....	54,000
Air pressure (PSI) .....	90
Air consumption (CFM).....	4
Air inlet (in.).....	1/8 NPT
Air hose inside diameter (in.).....	3/8
Vibration value (m/s <sup>2</sup> ) .....	4.8
Overall length (in.) .....	5-1/4
Noise level (dB) .....	88
Weight (lb) .....	1/4