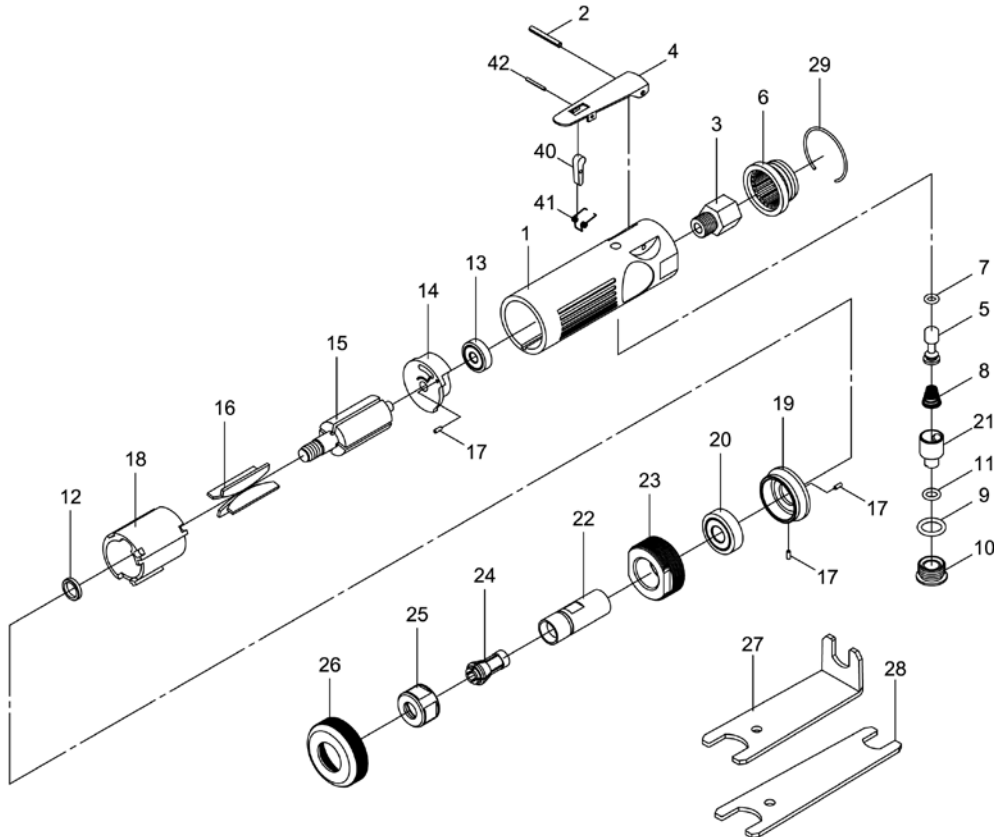




JSM-512 1/4-inch Die Grinder

(parts list on reverse side)



Stock Number	JSM-512
Horsepower	1/2
Collet Size (in.)	1/4
Free Speed (no load) (RPM)	22,000
Required Air Pressure (PSI)	90
Average Air Consumption (CFM)	4
Air Inlet Diameter (in.)	1/4 NPT
Air Hose Inside Diameter (in.)	3/8
Vibration Value (m/s ²)	<2.5
Overall Length (in.)	6-3/4
Noise Level (dB)	98
Weight (Net/Shipping) (lbs.)	1.3/1.5

JET

427 New Sanford Road
 LaVergne, Tennessee 37086
 Ph.: 800-274-6848
 www.jettools.com

Part No. M-JSM-512
 Revision G2 06/2014
 Copyright © 2014 JET

Parts List for JSM-512 Die Grinder

Index No.	Part No.	Description	Size	Qty
1	51201	Motor Housing		1
2	SM-30102	Spring Pin	Ø3 x 24L mm	1
3	51203	Air Inlet		1
4	51504	Throttle Lever		1
5	51205	Valve Shaft		1
6	51206	Exhaust Diffuser		1
7	70107	O-Ring	Ø4.8 x 1.9mm	1
8	51208	Valve Spring		1
9	70123	O-Ring	Ø11.8 x 2.4mm	1
10	51210	Throttle Valve Plug		1
11	40305	O-Ring	Ø6.5 x 2mm	1
12	51212	Rotor Spacer		1
13	BB-626ZZ	Ball Bearing	626ZZ	1
14	51214	Rear End Plate		1
15	51215	Rotor		1
16	51216	Rotor Blade		4
17	70117	Spring Pin	Ø2 x 5L mm	3
18	70118	Cylinder		1
19	51219	Front End Plate		1
20	BB-6000ZZ	Ball Bearing	6000ZZ	1
21	51221	Air Regulator		1
22	51222	Spindle		1
23	51223	Retainer		1
24	51224	Collet	1/4"	1
25	51225	Collet Nut		1
26	51226	Housing Cap		1
27	51227	Angle Double Ended Spanner		1
28	51228	Double Ended Spanner		1
29	51229	Retainer Ring		1
40	51540	Lever Bar		1
41	51541	Spring		1
42	51542	Spring Pin	Ø2 x 18L mm	1
	RPK-512	Repair Kit (Contains index # 7,8,9,11,16,17,29)		
	RBK-512	Rebuild Kit (Contains index #18,24,25)		