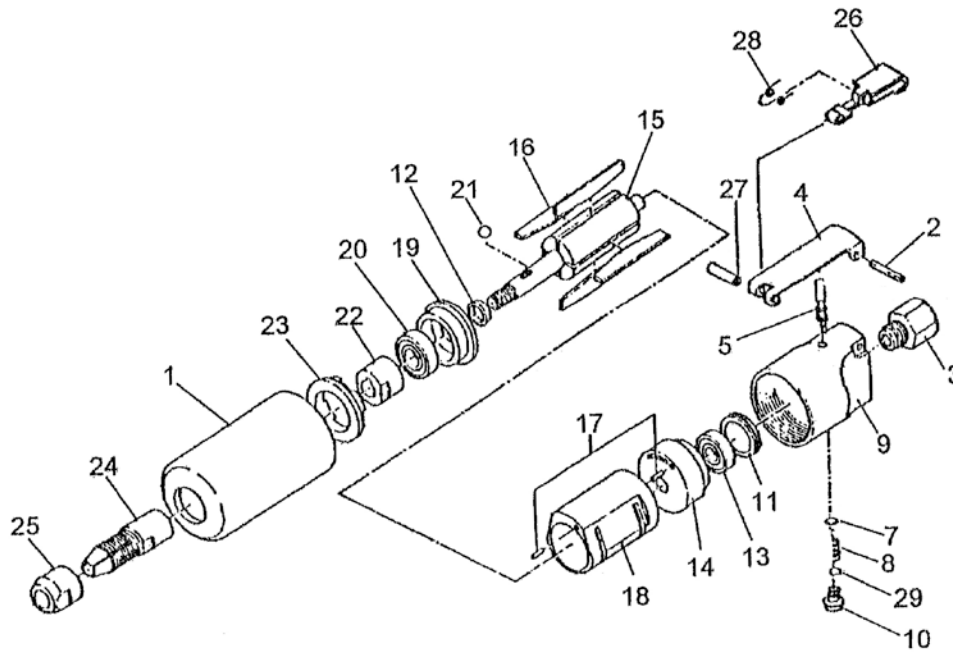




## JSM-501 1/4" Die Grinder



Index #	Part #	Description	Qty.
1	50101	Rotor Case	1
2	50102	Lever Spring Pin	1
3	50103	Air Inlet	1
4	50104	Lever	1
5	50105	Throttle Valve	1
7	50107	O-Ring	1
8	50108	Throttle Spring	1
9	50109	Handle	1
10	50110	Plug	1
11	50111	End Cap Plate	1
12	50112	Rotor Bushing	1
13	BB-626ZZ	Ball Bearing	1
14	50114	Top Plate	1
15	50115	Rotor	1
16	50116	Vane	4
17	50117	Lock Pin	2

Index #	Part #	Description	Qty.
18	50118	Cylinder	1
19	50119	Bottom Plate	1
20	BB-608ZZ	Ball Bearing	1
21	SB-1/8	Steel Ball	1
22	50122	Collet Washer	1
23	50123	Collar	1
24	50124	Collet Body, 1/4"	1
25	50125	Collet Nut	1
26	50126	Safety Lever	1
27	50127	Safety Lever Spring Pin	1
28	50128	Safety Lever Spring	1
29	50129	O-Ring	1
	JC18B	Collet w/ Nut, 1/8" (not shown)	1
	JC14B	Collet w/ Nut, 1/4" (not shown)	1
	50130	Wrench, 12.7mm (not shown)	1
	50131	Wrench, 15mm (not shown)	1

RBK-501..... Rebuild Kit (includes #12,17,24,25,27,28)

RPK-501..... Repair Kit (includes #7,8,11,16,29)

### JET

427 New Sanford Road  
 LaVergne, Tennessee 37086  
 Ph.: 800-274-6848  
 www.jettools.com

**Part No. M-JSM-501**  
 Revision B2 06/2014  
 Copyright © 2014 JET

## Specifications for JSM-501 1/4" Die Grinder

Stock Number .....	JSM-501
Collet Size (in.) .....	1/4
Horsepower .....	1/4 HP
Free Speed (no load) (RPM) .....	22,000
Required Air Pressure (PSI) .....	90
Average Air Consumption (CFM) .....	4
Air Inlet Diameter (in.) .....	1/4 NPT
Air Hose Inside Diameter (in.) .....	3/8
Vibration Value (m/s <sup>2</sup> ) .....	3
Overall Length (in.) .....	7
Noise Level (dB) .....	81
Weight (Shipping/net) (lb) .....	1.32/1.1

*The above specifications were current at the time this manual was published, but because of our policy of continuous improvement, JET, reserves the right to change specifications at any time and without prior notice, without incurring obligations.*