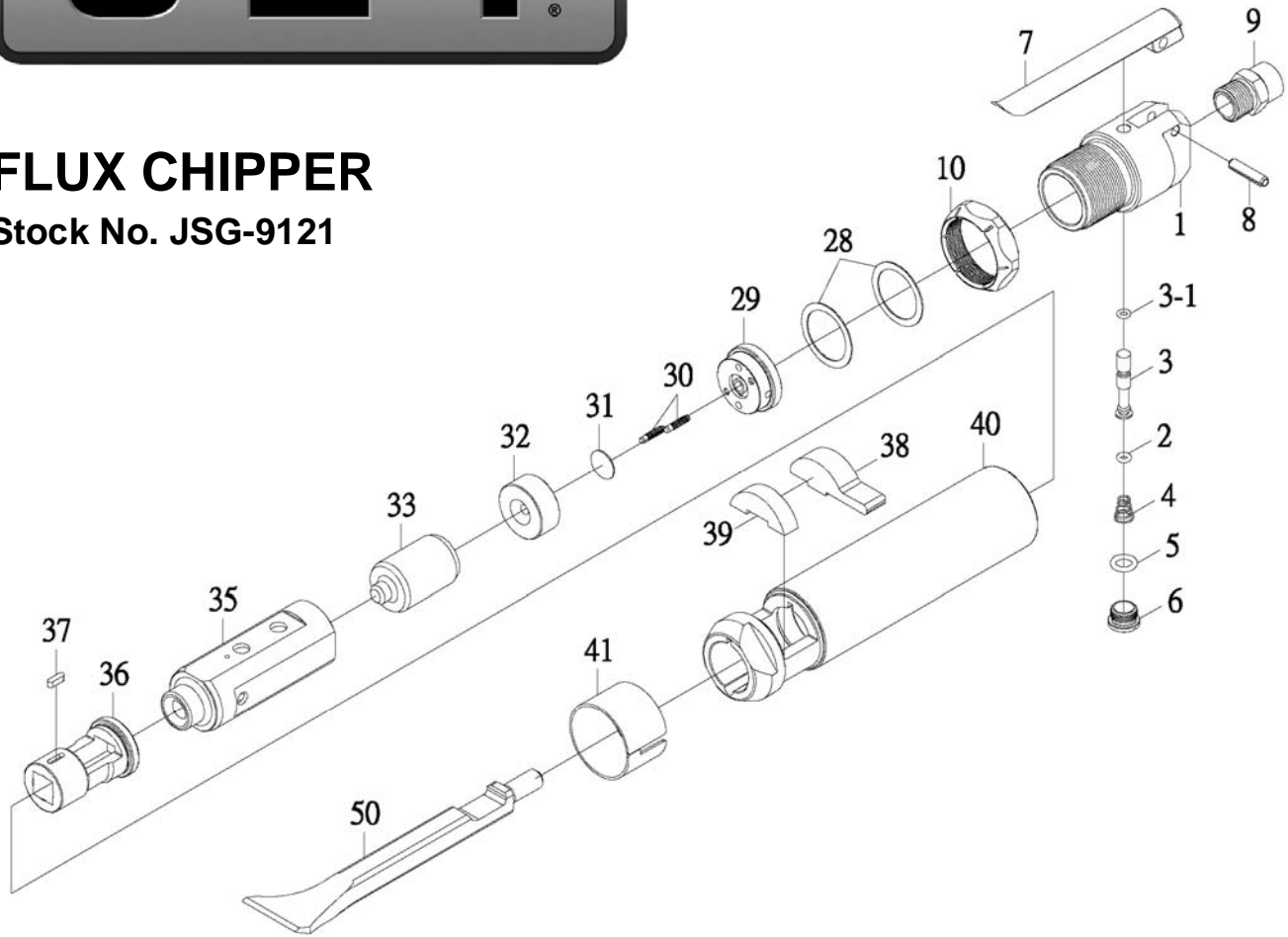




FLUX CHIPPER

Stock No. JSG-9121



Ref. No.	Part No.	Description	Qty	Ref. No.	Part No.	Description	Qty
1	730213	Backhead	1	30	1012591	Pin	2
2	729591	O-Ring (d3.1xW1.9)	1	31	729604	Valve	1
3	730214	Throttle Valve	1	32	729606	Front Valve Block	1
3-1	730214-1	O-Ring (d3.1xW1.5)	1	33	730219	Piston	1
4	730215	Spring	1	35	731008	Barrel Sleeve	1
5	1008365	O-Ring (d7.8xW2.4)(P8)	1	36	731009	Nose	1
6	730216	Valve Cap	1	37	731010	Key	1
7	730217	Lever	1	38	730220	Driver Retainer	1
8	729538	Spring Pin (Ø5x22L)	1	39	730221	Retainer Buffer	1
9	729747	Hose Adapter	1	40	730223	Barrel	1
10	729597	Lock Ring	1	41	730222	Retainer Clip	1
28	730218	Alignment Shim	2	50	730228	Chisel	1
29	729608	Rear Valve Block	1				
	RBK-9121	Rebuild Kit (contains Ref. No. 2, 4, 5, 33, and 38)					

JET

427 New Sanford Road
 LaVergne, Tennessee 37086
 Ph.: 800-274-6848
 www.jettools.com

M-JSG9121

Revision H 08/2014

Copyright © 2014 JET, a Division of JPW Industries, Inc.

Specifications for JSG-9121 Flux Chipper

Stock Number	JSG-9121
Blows per minute.....	4600
Stroke length (in.)	1-1/8
Required Air Pressure (PSI).....	90
Average Air Consumption (CFM).....	4
Air Inlet Diameter (in.)	1/4
Air Hose Inside Diameter (in.)	3/8
Vibration Value (m/s ²)	2.5
Overall Length (in.)	11
Net Weight (lbs.).....	4

The specifications in this document were current at time of publication, but because of our policy of continuous improvement, JET reserves the right to change specifications at any time and without prior notice, without incurring obligations.