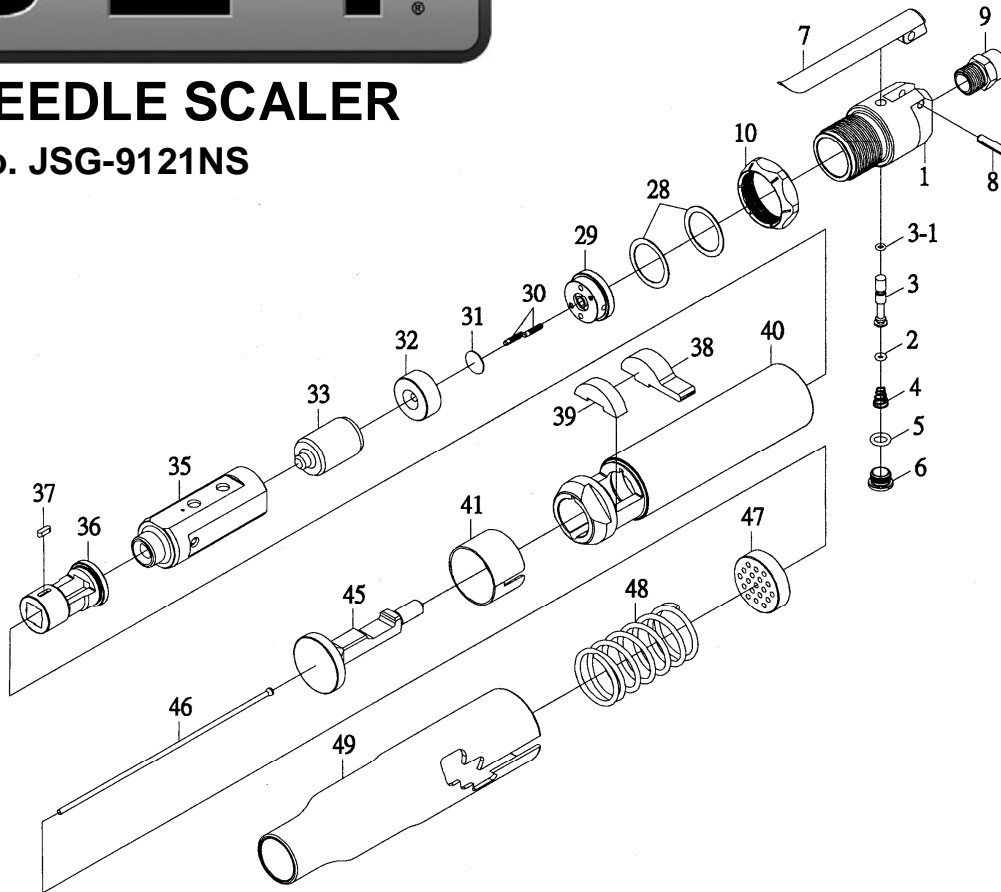




AIR NEEDLE SCALER

Stock No. JSG-9121NS



Ref. No.	Part No.	Description	Qty	Ref. No.	Part No.	Description	Qty
1	730213	Backhead	1	32	729606	Front Valve Block	1
2	729591	O-Ring (d3.1xW1.9)	1	33	730219	Piston	1
3	730214	Throttle Valve	1	35	731008	Barrel Sleeve	1
3-1	730214-1	O-Ring (d3.1xW1.5)	1	36	731009	Nose	1
4	730215	Spring	1	37	731010	Key	1
5	1008365	O-Ring (d7.8xW2.4)(P8)	1	38	730220	Driver Retainer	1
6	730216	Valve Cap	1	39	730221	Retainer Buffer	1
7	730217	Lever	1	40	730223	Barrel	1
8	729538	Spring Pin (Ø5x22L)	1	41	730222	Retainer Clip	1
9	729747	Hose Adapter	1	45	730224	Needle Driver	1
10	729597	Lock Ring	1	46	N307	3mm Needle Set (Ø3x180L)	19
28	730218	Alignment Shim	2	47	730225	Needle Holder (3mm)	1
29	729608	Rear Valve Block	1	48	730226	Spring	1
30	1012591	Pin	2	49	730227	Front Nosepiece	1
31	729604	Valve	1				
	RBK-9121NS	Rebuild Kit (contains Ref. No. 2, 4, 5, 33, 38 and 45)					

JET
 427 New Sanford Road
 LaVergne, Tennessee 37086
 Ph.: 800-274-6848
 www.jettools.com

M-JSG9121NS
 Revision G1 06/14
 Copyright © 2014 JET, a Division of JPW Industries, Inc.

Specifications for JSG-9121NS Needle Scaler

Stock Number	JSG-9121NS
Blows per minute.....	4600
Stroke length (in.).....	1-1/8
Number of Needles.....	19
Size of Needles	3 mm
Required Air Pressure (PSI).....	90
Average Air Consumption (CFM).....	4
Air Inlet Diameter (in.).....	1/4
Air Hose Inside Diameter (in.)	3/8
Vibration Value (m/s ²).....	10.2
Overall Length (in.).....	15
Net Weight (lbs.).....	7