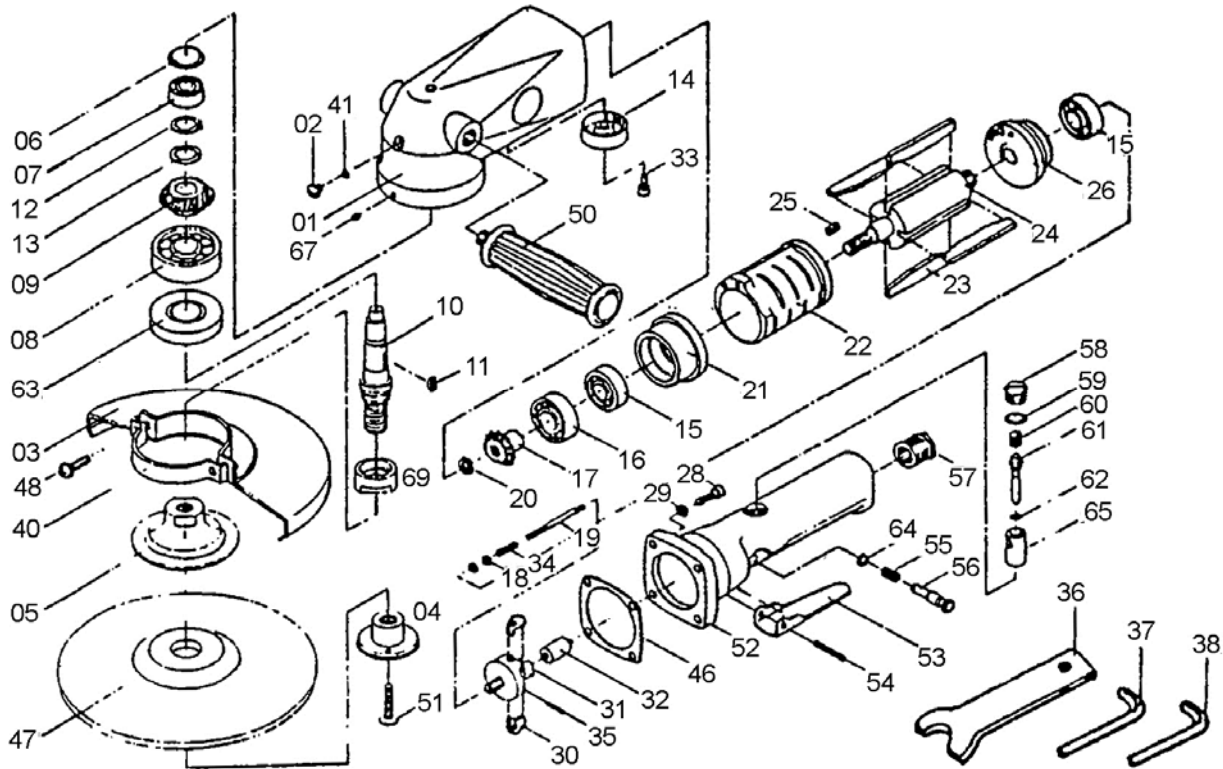




# JSG-0522 7" Angle Grinder

Stock No. JSG-0522



Index Part No	Description	Qty
01	DG-70001..... Motor Housing .....	1
02	PG-38043..... Plug .....	1
03	DG-70049..... Center Wheel Guard.....	1
04	DG-70S47..... Flange.....	1
05	DG-70S45..... Flange Nut.....	1
06	DG-70002..... Seal Plate .....	1
07	BB-06292..... Ball Bearing .....	1
08	BB-63032..... Ball Bearing .....	1
09	DG-70007..... Bevel Gear.....	1
10	DG-70S04..... Arbor.....	1
11	WK-0516A..... Woodruff Key.....	1
12	STW-015..... External Stop Ring.....	1
13	WW-0016..... Wave Washer .....	1
14	DG-70043..... Exhaust Deflector .....	1
15	BB-62012..... Ball Bearing .....	2
16	BB-62022..... Ball Bearing .....	1
17	DG-70026..... Bevel Pinion.....	1
18	HN1-03CB..... Hex Nut.....	2
19	DG-70022..... Adjust Screw.....	1

Index Part No	Description	Qty
20	STW-009..... External Stop Ring .....	1
21	DG-70012..... Front End Plate .....	1
22	DG-70014..... Cylinder .....	1
23	DG-70016..... Rotor Blade .....	4
24	DG-70011..... Rotor.....	1
25	SP-30080..... Spring Pin.....	2
26	DG-70017..... Rear End Plate.....	1
28	B2-0520A..... Hex Soc. Hd. Cap Bolt .....	4
29	SW2-050A..... Spring Washer.....	4
30	DG-70019..... Pendulum .....	8
31	DG-70018..... Governor .....	1

*Parts List continued on back*

To order parts, call our service department at 800-274-6848 between 8:00 a.m. and 5:00 p.m. (CST), Monday through Friday. Having the Model Number and Serial Number will allow us to serve you quickly and accurately.

## JET

427 New Sanford Road  
 LaVergne, Tennessee 37086  
 Ph.: 800-274-6848  
 www.jettools.com

**Part No. M-JSG-0522**  
 Revision B 08/2014

Copyright © 2014 JET, a Division of JPW Industries, Inc.

Index Part No	Description	Qty	Index Part No	Description	Qty		
32	DG-70021	Plunger	1	58	DG-40056	Throttle Housing	1
33	B2-0510A	Hex Soc. Hd. Cap Bolt	1	59	ORP-0100	O-Ring	1
34	DG-70023	Spring	1	60	DG-40055	Valve Spring	2
35	SP-30160	Spring Pin	2	61	DG-40054	Valve Stem	1
36	VP-70047	Wrench	1	62	ORP-0050	O-Ring	1
37	DG-70S54	L Shape Hex Wrench	1	63	DG-70S10	Arbor Bearing Cap	1
38	HG-14005	L Shape Hex Wrench	1	64	ETWJ-040	E-Ring	1
40	DG-70050	Guard Clamp Plate	1	65	DG-70056	Bushing	1
41	ORP-0040	O-Ring	2	67	SS-0404A	Set Screw	1
46	DG-70028	Gasket	1	69	DG-70S68	Adjust Nut	1
47	DG-70046	Grinding Wheel	1				
48	S4-6020A	Button Head Screw	2		RPK-0522	Repair Kit	
50	AP-70047	Handle	1			(contains #20,23,46,59,60,62)	
51	S7-6030A	Flange Stop Screw	1				
52	DG-70055	Throttle Valve Housing	1		RBK-0522	Rebuild Kit	
53	DG-70063	Throttle Lever	1			(contains #8,9,10,11,16,17)	
54	SP-40250	Spring Pin	1				
56	DG-70065	Lock Pin	1				
57	DG-70057	Air Inlet Bushing	1				

## Specifications for 7" Angle Grinder

Stock Number	JSG-0522
Wheel Size (Dia x Bore x Thk/in.)	7 x 7/8 x 1/4
Spindle Thread (in./TPI)	5/8-11
Horsepower (HP)	1
Free Speed (RPM)	7,000
Average Air Consumption (CFM)	7
Air Inlet (in.)	1/4 NPT
Air Hose Inside Diameter (in.)	3/8
Vibration Value (m/s <sup>2</sup> )	2.6
Noise Level (dB)	108
Overall Length (in.)	14
Weight (lbs)	7

The above specifications were current at time of publication, but because of our policy of continuous improvement, JET reserves the right to change specifications at any time and without prior notice, without incurring obligations.