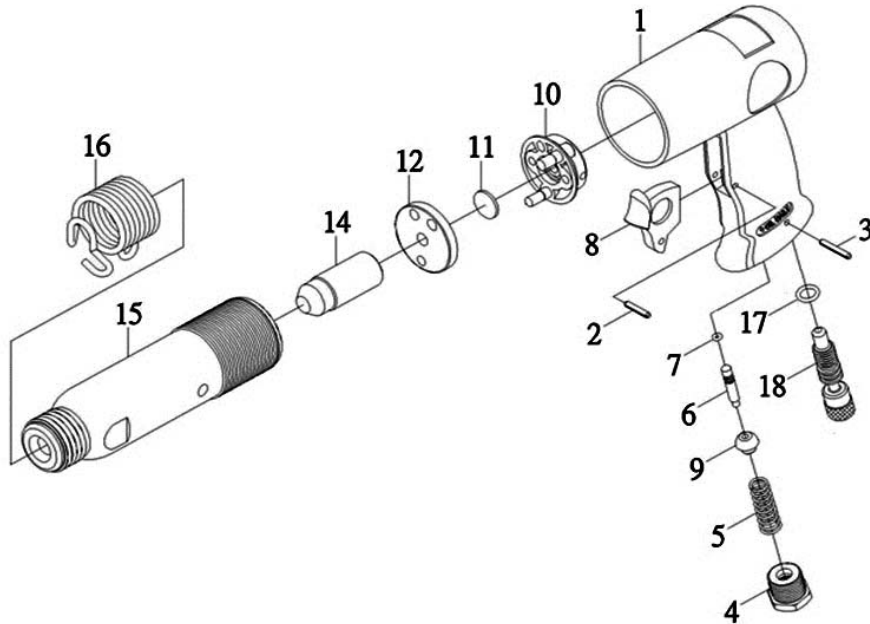




## Parts List for JSG-0101R Riveting Hammer



Index	Part No.	Description	Qty.
1	AH-1	Handle (0101R)	1
2	AH-2	Pin (for Trigger)	1
3	AH-3	Pin (for Regulator)	1
4	AH-4	Hose Adaptor	1
5	AH-5	Throttle Spring	1
6	AH-6	Valve Stem (JSG-0101R)	1
7	AH-7	O-Ring	1
8	AH-8	Trigger	1
9	AH-9	Steel Ball Seat	1
10	AH-10	Upper Valve Assembly	1

Index	Part No.	Description	Qty.
11	AH-11	Valve Disc	1
12	AH-12	Lower Valve Seat	1
14	AH-14-1	Piston (JSG-0101R)	1
15	AH-15-1	Cylinder (JSG-0101R)	1
16	J0101S	Quick Change Retainer	1
17	AH-17	O-Ring	1
18	AH-18	Regulator	1

RBK-0101R Rebuild Kit (contains #5,6,9,10,11,14)

### Replacement Parts

To order parts or reach our service department, call 1-800-274-6848 Monday through Friday (see our website for business hours). Having the Model Number and Serial Number of your product available when you call will allow us to serve you quickly and accurately.

### Specifications

Stock Number ..... JSG-0101R  
 Stroke Length (in.) ..... 1-5/8  
 Bore Size (in.) ..... 3/4  
 Blows per minute ..... 5000  
 Shank Size (in.) ..... 0.401 Parker  
 Air Consumption (CFM) ..... 4

Air Inlet (NPT/in.) ..... 1/4  
 Air Hose (ID/in.) ..... 3/8  
 Vibration Value (m/s<sup>2</sup>) ..... 8.4  
 Noise Level (dB) ..... 104  
 Overall Length (in.) ..... 5-1/4  
 Weight (lbs.) ..... 2-1/4

*The above specifications were current at time of publication, but because of our policy of continuous improvement, JET reserves the right to change specifications at any time and without prior notice, without incurring obligations.*

### JET

427 New Sanford Road  
 LaVergne, Tennessee 37086  
 Ph.: 800-274-6848  
 www.jettools.com

**Part No. M-JSG-0101R**

Revision B 08/2014

Copyright © 2014 JET, a Division of JPW Industries, Inc.