



Assembly Instructions and Parts List
22-1/2" Bed Extension for JWL-1221VS Lathe
Stock No. 719201



⚠ WARNING Read and understand the entire owner's manual that accompanied your JWL-1221VS lathe before attempting assembly or operation of accessories.

⚠ WARNING: This product can expose you to chemicals including lead and cadmium which are known to the State of California to cause cancer and birth defects or other reproductive harm. For more information go to <http://www.p65warnings.ca.gov>.

⚠ WARNING: Drilling, sawing, sanding or machining wood products generates wood dust and other substances known to the State of California to cause cancer. Avoid inhaling dust generated from wood products or use a dust mask or other safeguards for personal protection.

Wood products emit chemicals known to the State of California to cause birth defects or other reproductive harm. For more information go to <http://www.p65warnings.ca.gov/wood>.

Inspect contents for shipping damage. Report any damage or part shortages to your distributor. Do not discard shipping materials until accessory is set up and functioning properly.

Shipping contents

- 1 Bed extension
- 2 Socket head screws, 5/16x1
- 2 Lock washers, 5/16x1
- 2 Flat washers, 5/16x1
- 1 Positioning plate
- 1 Pan head screw, 1/4x1/2

Tools required for assembly

6mm hex key ("Allen wrench")
Cross point screwdriver

Assembly

(Parts in brackets refer to index numbers in the exploded view.)

1. Use the pan head screw [1] to attach plate [2] to end of bed extension [3] where the beds will meet.
2. Place bed extension against lathe bed and hold in place with the plate [2].
3. Insert two socket head screws [6], lock washers [5] and flat washers [4]. Align beds as closely as possible, then snug the screws but do not fully tighten yet.
4. Move tailstock over the seam of lathe bed and bed extension and align the clamping nut in the center where the beds meet. (Shift bed extension as needed until tailstock can slide onto it). Tighten tailstock clamping lever – this will properly align and make flush the beds.
5. Tighten both socket head screws [6].
6. Unlock tailstock, and slide it back and forth across seam to verify smooth travel.

JET

427 New Sanford Road
LaVergne, Tennessee 37086
Ph.: 800-274-6848
www.jettools.com

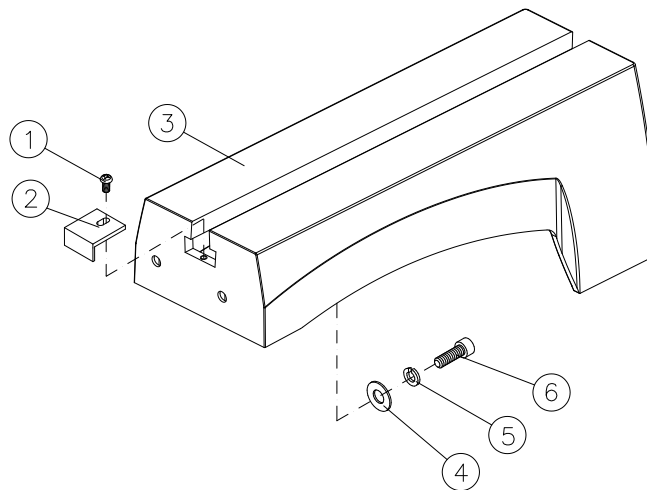
Part No. M-719201
Revision A2 11/2018
Copyright © 2014 JET

Specifications

Stock number	719201
Assembled dimensions	572 x 229 x 216 mm (22.5"L x 9"W x 8.5"H)
Net weight	19 kg (41.89 lb)
Shipping dimensions	640 x 288 x 277 mm (25.20" x 11.33" x 10.90")
Shipping weight.....	22 kg (48.5 lb)

Specifications were current at time of publication, but because of our policy of continuous improvement, JET reserves the right to change specifications at any time and without prior notice, without incurring obligations.

719201 Bed extension (22-1/2") for JWL-1221VS lathe



Index No	Part No	Description	Size	Qty
1	TS-081F032	Phillips Pan Head Machine Screw	1/4"-20x1/2"	1
2	JWL1221VS-502	Plate		1
3	JWL1221VS-503	Extension Bed		1
4	TS-0680031	Flat Washer	5/16"	2
5	TS-0720081	Lock Washer	5/16"	2
6	TS-0208061	Socket Head Cap Screw	5/16"-18x1"	2

To order parts or reach our service department, call 1-800-274-6848 Monday through Friday, 8:00 a.m. to 5:00 p.m. CST. Having the Model Number and Serial Number of your machine available when you call will allow us to serve you quickly and accurately.

Non-proprietary parts, such as fasteners, can be found at local hardware stores, or may be ordered from JET.