



**Assembly Instructions and Parts List**  
**Stand Extension for JWL-1015/1015VS Lathes**  
Stock No. 719103



**WARNING** Read and understand the entire owner's manual that accompanied your JWL-1015 lathe before attempting assembly or operation of accessories.

Inspect contents for shipping damage. Report any damage or part shortages to your distributor. Do not discard shipping materials until accessory is set up and functioning properly.

### Shipping contents

- 1 Cross bar
- 1 Tube
- 1 Bracket
- 2 Socket head button screws, 5/16x1
- 4 Socket head button screws, 5/16x1/2
- 4 Lock washers, 5/16"
- 8 Flat washers, 5/16"
- 1 Leveler with nut
- 2 Socket head cap screws, 5/16x1

### Tools required for assembly

- 1/4" hex key ("Allen wrench")
- 9/16" (or adjustable) wrench

### Assembly

*(Bracketed numbers refer to index numbers in the exploded view. Refer to documents M-719101 and M-719102 for instructions on assembling optional Bed Extension and Stand to lathe).*

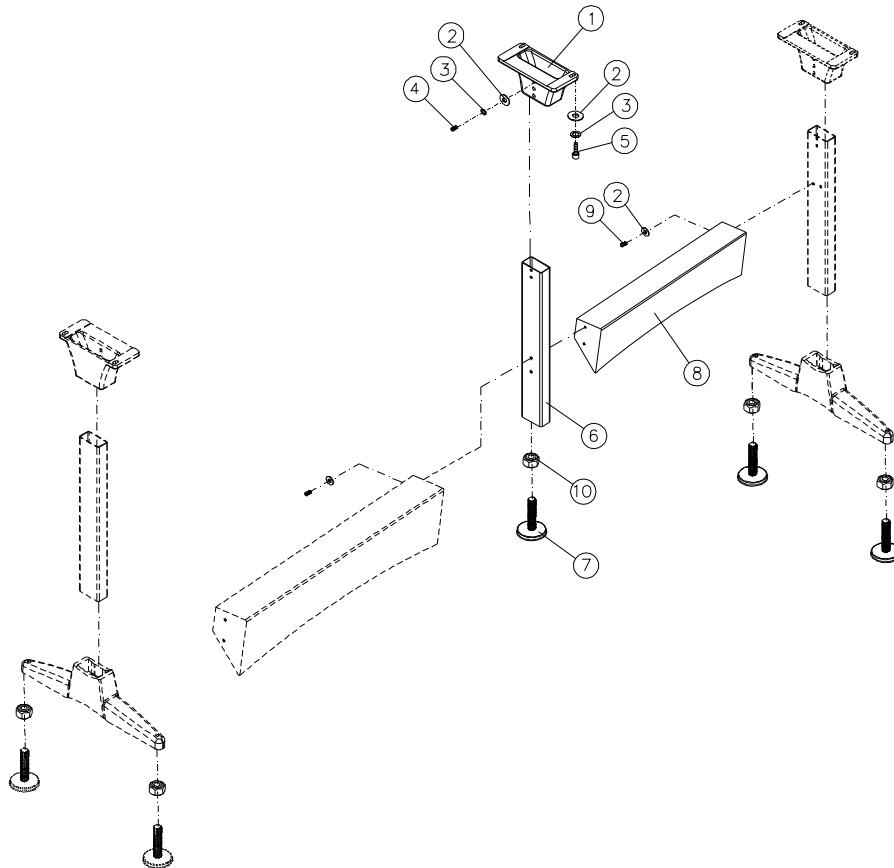
1. Install bracket [1] to tube [6] with fasteners [2/3/4]. Tighten screws.
2. Screw leveler with nut [7/10] into bottom of tube [6]. The leveler can be adjusted for height, and the nut tightened up against the tube to secure the setting.
3. Remove the right leg from your lathe. **WARNING: Use an assistant or block up the lathe to support it during these procedures!**
4. Install the leg just removed to the outer end of the bed extension.
5. Install the middle leg beneath center of lathe with two socket head cap screws, lock washers, and flat washers [5/3/2], and tighten. Adjust leveler so that it contacts the floor, and tighten nut up against tube.
6. Secure existing cross bar to the middle leg.
7. Install new cross bar [8] between legs with four 5/16x1/2 socket head button screws [9] and flat washers [2] and tighten.

## Specifications

Stock number .....	719103
Assembled dimensions .....	20.87" L x 7.48" W x 33.11"H
Net weight .....	16.5 lbs
Shipping dimensions .....	30.43" L x 6.18" W x 4.76" H
Shipping weight .....	19 lbs

*Specifications were current at time of publication, but because of our policy of continuous improvement, JET reserves the right to change specifications at any time and without prior notice, without incurring obligations.*

## # 719103 Stand extension for JWL-1015/1015VS lathes



Index No	Part No	Description	Size	Qty
1	JWL1015-201	Upper Bracket		1
2	TS-0680031	Flat Washer	5/16"	8
3	TS-0720081	Lock Washer	5/16"	4
4	JWL1221VS-417	Socket Head Button Screw	5/16"-18x1"	2
5	TS-0208061	Socket Head Cap Screw	5/16"-18x1"	2
6	JWL1015-406	Tube		1
7	JWL1642-206	Adjustable Leveler		1
8	JWL1015-408	Cross Bar		1
9	TS-0255021	Socket Head Button Screw	5/16"-18x1/2"	4
10	TS-0561031	Hex Nut	3/6"-16	1

To order parts or reach our service department, call 1-800-274-6848 Monday through Friday (see our website for business hours, [www.jettools.com](http://www.jettools.com)). Having the Model Number and Serial Number of your machine available when you call will allow us to serve you quickly and accurately.