



Operating Instructions and Parts Manual

12-inch XACTA[®] Cabinet Saw

Model JTAS-12-DX



JET
427 New Sanford Road
LaVergne, Tennessee 37086
Ph.: 800-274-6848
www.jettools.com

Part No. M-708546
Revision B 12/2017
Copyright © 2017 JET

1.0 Warranty and Service

JET warrants every product it sells against manufacturers' defects. If one of our tools needs service or repair, please contact Technical Service by calling 1-800-274-6846, 8AM to 5PM CST, Monday through Friday.

Warranty Period

The general warranty lasts for the time period specified in the literature included with your product or on the official JET branded website.

- JET products carry a limited warranty which varies in duration based upon the product. (See chart below)
- Accessories carry a limited warranty of one year from the date of receipt.
- Consumable items are defined as expendable parts or accessories expected to become inoperable within a reasonable amount of use and are covered by a 90 day limited warranty against manufacturer's defects.

Who is Covered

This warranty covers only the initial purchaser of the product from the date of delivery.

What is Covered

This warranty covers any defects in workmanship or materials subject to the limitations stated below. This warranty does not cover failures due directly or indirectly to misuse, abuse, negligence or accidents, normal wear-and-tear, improper repair, alterations or lack of maintenance. JET woodworking machinery is designed to be used with Wood. Use of these machines in the processing of metal, plastics, or other materials outside recommended guidelines may void the warranty. The exceptions are acrylics and other natural items that are made specifically for wood turning.

Warranty Limitations

Woodworking products with a Five Year Warranty that are used for commercial or industrial purposes default to a Two Year Warranty. Please contact Technical Service at 1-800-274-6846 for further clarification.

How to Get Technical Support

Please contact Technical Service by calling 1-800-274-6846. **Please note that you will be asked to provide proof of initial purchase when calling.** If a product requires further inspection, the Technical Service representative will explain and assist with any additional action needed. JET has Authorized Service Centers located throughout the United States. For the name of an Authorized Service Center in your area call 1-800-274-6846 or use the Service Center Locator on the JET website.

More Information

JET is constantly adding new products. For complete, up-to-date product information, check with your local distributor or visit the JET website.

How State Law Applies

This warranty gives you specific legal rights, subject to applicable state law.

Limitations on This Warranty

JET LIMITS ALL IMPLIED WARRANTIES TO THE PERIOD OF THE LIMITED WARRANTY FOR EACH PRODUCT. EXCEPT AS STATED HEREIN, ANY IMPLIED WARRANTIES OF MERCHANTABILITY AND FITNESS FOR A PARTICULAR PURPOSE ARE EXCLUDED. SOME STATES DO NOT ALLOW LIMITATIONS ON HOW LONG AN IMPLIED WARRANTY LASTS, SO THE ABOVE LIMITATION MAY NOT APPLY TO YOU.

JET SHALL IN NO EVENT BE LIABLE FOR DEATH, INJURIES TO PERSONS OR PROPERTY, OR FOR INCIDENTAL, CONTINGENT, SPECIAL, OR CONSEQUENTIAL DAMAGES ARISING FROM THE USE OF OUR PRODUCTS. SOME STATES DO NOT ALLOW THE EXCLUSION OR LIMITATION OF INCIDENTAL OR CONSEQUENTIAL DAMAGES, SO THE ABOVE LIMITATION OR EXCLUSION MAY NOT APPLY TO YOU.

JET sells through distributors only. The specifications listed in JET printed materials and on official JET website are given as general information and are not binding. JET reserves the right to effect at any time, without prior notice, those alterations to parts, fittings, and accessory equipment which they may deem necessary for any reason whatsoever. JET® branded products are not sold in Canada by JPW Industries, Inc.

Product Listing with Warranty Period

90 Days – Parts; Consumable items
1 Year – Motors; Machine Accessories
2 Year – Metalworking Machinery; Electric Hoists, Electric Hoist Accessories; Woodworking Machinery used for industrial or commercial purposes
5 Year – Woodworking Machinery
Limited Lifetime – JET Parallel clamps; VOLT Series Electric Hoists; Manual Hoists; Manual Hoist Accessories; Shop Tools; Warehouse & Dock products; Hand Tools: Air Tools

NOTE: JET is a division of JPW Industries, Inc. References in this document to JET also apply to JPW Industries, Inc., or any of its successors in interest to the JET brand.

2.0 Table of contents

Section	Page
1.0 Warranty and Service.....	2
2.0 Table of contents.....	3
3.0 Safety warnings.....	4
4.0 About this manual	5
5.0 Glossary	6
6.0 Specifications.....	7
7.0 Setup and assembly.....	9
7.1 Tools required for assembly.....	9
7.2 Shipping contents.....	9
7.3 Unpacking and cleanup.....	10
7.4 Installation and leveling.....	10
7.5 Installing table extensions	10
7.6 Installing motor cover	11
7.7 Installing handwheel.....	11
7.8 Installing storage hooks.....	11
7.9 Installing blade (not provided)	11
7.10 Installing riving knife.....	12
7.11 Table insert adjustment.....	12
7.12 Installing anti-kickback pawls and blade guard assembly	13
7.13 Installing rails and rip fence.....	13
7.14 Installing switch and brace	13
7.15 Miter gauge operation	13
8.0 Electrical connections	14
8.1 Extension cords.....	14
9.0 Adjustments	14
9.1 Blade raising and tilting	14
9.2 Blade alignment.....	14
9.3 Adjusting 90° and 45° positive stops.....	15
9.4 Belt tension and replacement.....	16
10.0 Maintenance.....	16
11.0 Troubleshooting the JTAS-12-DX Table Saw	17
11.1 Mechanical Problems.....	17
11.2 Operational Problems.....	18
12.0 Replacement Parts.....	18
12.1.1 Table and Cabinet Assembly (JTAS-12-DX) – Exploded View.....	19
12.1.2 Table and Cabinet Assembly (JTAS-12-DX) – Parts List.....	20
12.2.1 Trunnion and Motor Assembly (JTAS-12-DX) – Exploded View	22
12.2.2 Trunnion and Motor Assembly (JTAS-12-DX) – Parts List.....	23
12.3.1 Blade Guard Assembly (JTAS-12-DX) – Exploded View	25
12.3.2 Blade Guard Assembly (JTAS-12-DX) – Parts List.....	26
13.0 Electrical Connections.....	27



3.0 Safety warnings

1. Read and understand the entire owner's manual before attempting assembly or operation.
2. Read and understand the warnings posted on the machine and in this manual. Failure to comply with all of these warnings may cause serious injury.
3. Replace the warning labels if they become obscured or removed.
4. This table saw is designed and intended for use by properly trained and experienced personnel only. If you are not familiar with the proper and safe operation of a table saw, do not use until proper training and knowledge have been obtained.
5. Do not use this table saw for other than its intended use. If used for other purposes, JET disclaims any real or implied warranty and holds itself harmless from any injury that may result from that use.
6. Always wear approved safety glasses/face shield while using this table saw. Everyday eyeglasses only have impact resistant lenses; they are not safety glasses.
7. Before operating this table saw, remove tie, rings, watches and other jewelry, and roll sleeves up past the elbows. Remove all loose clothing and confine long hair. Non-slip footwear or anti-skid floor strips are recommended. Do not wear gloves.
8. Use the blade guard for every operation for which it can be used, including all "through-sawing" operations. A through-sawing operation is one in which the blade cuts completely through the workpiece.
9. Kickback occurs when the workpiece is thrown towards the operator at a high rate of speed. If you do not have a clear understanding of kickback and how it occurs, DO NOT operate this table saw!
10. Wear ear protectors (plugs or muffs) during extended periods of operation.
11. **WARNING:** Drilling, sawing, sanding or machining wood products generates wood dust and other substances known to the State of California to cause cancer. Avoid inhaling dust generated from wood products or use a dust mask or other safeguards to avoid inhaling dust generated from wood products.
12. Wood products emit chemicals known to the State of California to cause birth defects or other reproductive harm. (California Health and Safety Code Section 25249.6)
13. Do not operate this machine while tired or under the influence of drugs, alcohol or any medication.
14. Make certain the switch is in the OFF position before connecting the machine to the power supply.
15. Make certain the machine is properly grounded.
16. Make all machine adjustments or maintenance with the machine unplugged from the power source.
17. Remove adjusting keys and wrenches. Form a habit of checking to see that keys and adjusting wrenches are removed from the machine before turning it on.
18. Keep safety guards in place at all times when the machine is in use. If removed for maintenance purposes, use extreme caution and replace the guards immediately after completion of maintenance.
19. Check damaged parts. Before further use of the machine, a guard or other part that is damaged should be carefully checked to determine that it will operate properly and perform its intended function. Check for alignment of moving parts, binding of moving parts, breakage of parts, mounting and any other conditions that may affect its operation. A guard or other part that is damaged should be properly repaired or replaced.
20. Provide for adequate space surrounding work area and non-glare, overhead lighting.
21. Keep the floor around the machine clean and free of scrap material, oil and grease.
22. Keep visitors a safe distance from the work area. Keep children away.
23. Make your workshop child proof with padlocks, master switches or by removing starter keys.
24. Give your work undivided attention. Looking around, carrying on a conversation and "horse-play" are careless acts that can result in serious injury.
25. Maintain a balanced stance at all times so that you do not fall into the blade or other moving parts. Do not overreach or use excessive force to perform any machine operation.
26. Use the right tool at the correct speed and feed rate. Do not force a tool or attachment to do a job for which it was not designed. The right tool will do the job better and more safely.

27. Use recommended accessories; improper accessories may be hazardous.
28. Maintain tools with care. Keep saw blades sharp and clean for the best and safest performance. Follow instructions for lubricating and changing accessories.
29. Turn off the machine before cleaning. Use a brush or compressed air to remove chips or debris — do not use your hands.
30. Do not stand on the machine. Serious injury could occur if the machine tips over.
31. Never leave the machine running unattended. Turn the power off and do not leave the machine until it comes to a complete stop.
32. Remove loose items and unnecessary work pieces from the area before starting the machine.
33. Keep hands out of the line of saw blade.
34. Use a push-stick when required.
35. Pay particular attention to instructions on reducing risk of kickback.
36. Do not perform any operation freehand.
37. Never reach around or over saw blade.
38. Don't use in dangerous environment. Don't use power tools in damp or wet location, or expose them to rain. Keep work area well lighted.

Familiarize yourself with the following safety notices used in this manual:

CAUTION This means that if precautions are not heeded, it may result in minor injury and/or possible machine damage.

WARNING This means that if precautions are not heeded, it may result in serious injury or possibly even death.

4.0 About this manual

This manual is provided by JET covering the safe operation and maintenance procedures for a JET Model JTAS-12-DX Table Saw. This manual contains instructions on installation, safety precautions, general operating procedures, maintenance instructions and parts breakdown. Your machine has been designed and constructed to provide consistent, long-term operation if used in accordance with the instructions as set forth in this document.

Read and understand the entire contents of this manual before attempting assembly or operation.

This manual is not intended to be an exhaustive guide to table saw operational methods, use of jigs or after-market accessories, choice of stock, etc. Additional knowledge can be obtained from experienced users or trade articles. Whatever accepted methods are used, always make personal safety a priority.

If there are questions or comments, please contact your local supplier or JET. JET can also be reached at our web site: www.jettools.com.

Retain this manual for future reference. If the machine transfers ownership, the manual should accompany it.

WARNING Read and understand the entire contents of this manual before attempting assembly or operation! Failure to comply may cause serious injury!

5.0 Glossary

Arbor: Metal shaft that connects the drive mechanism to the blade.

Bevel Edge Cut: Tilt of the saw arbor and blade between 0° and 45° to perform an angled cutting operation.

Blade Guard: Mechanism mounted over the saw blade to prevent accidental contact with the cutting edge.

Crosscut: Sawing operation in which the miter gauge is used to cut across the grain of the workpiece.

Dado Blade: Blade(s) used for cutting grooves and rabbets. A stacked dado set can be used for wider grooves.

Dado Cut: Flat bottomed groove in the face of the workpiece made with a dado blade.

Featherboard: Device used to keep a board against the rip fence or table that allows the operator to keep hands away from saw blade.

Freehand: Moving the workpiece into the blade using only the hands, without a fixed positioning device. (This is a dangerous, unacceptable procedure – **always** use appropriate devices to feed the workpiece through the saw blade during cutting operations.)

Kerf: The resulting cut or gap made by a saw blade.

Kickback: An event in which the workpiece is lifted up and thrown back toward an operator, caused when a workpiece binds on the saw blade or between the blade and rip fence (or other fixed object). To minimize or prevent injury from kickbacks, see the *Operations* section.

Miter Gauge: A component that controls the workpiece movement while performing a crosscut of various angles.

Non-Through Cut: A sawing operation that requires the removal of the blade guard and standard riving knife, resulting in a cut that does not protrude through the top of the workpiece (includes Dado and rabbet cuts).

The blade guard and riving knife must be re-installed after performing a non-through cut to avoid accidental contact with the saw blade during operation.

Parallel: Position of the rip fence equal in distance at every point to the side face of the saw blade.

Perpendicular: 90° (right angle) intersection or position of the vertical and horizontal planes such as the position of the saw blade (vertical) to the table surface (horizontal).

Push Board/Push Stick: An instrument used to safely push the workpiece through the cutting operation.

Rabbet: A cutting operation that creates an L-shaped channel along the edge of a board.

Rip Cut: A cut made along the grain of the workpiece.

Riving Knife: A metal plate fixed relative to the blade, which moves with the blade as cutting depth is adjusted. Thus, it maintains not only the kerf opening in the workpiece, but also the knife-to-blade distance. A *low-profile* riving knife is used when performing a non-through cut because it sits lower than the top edge of the blade.

Splitter (Spreader): A stationary metal plate to which the blade guard is attached that maintains the kerf opening in the workpiece when performing a cutting operation.

Standard Kerf: 1/8" gap made with a standard blade.

Straightedge: A tool used to check that a surface is flat or parallel.

Through Sawing: A sawing operation in which the workpiece thickness is completely sawn through. Proper blade height usually allows 1/8" of the top of blade to extend above the wood stock. Keep the blade guard down, the anti-kickback pawls down, and the riving knife in place over the blade.

6.0 Specifications

Model numberJTAS-12-DX
 Stock number 708546PK

Motor and electricals:

Motor type..... totally enclosed fan cooled, induction, capacitor start
 Horsepower 5 HP (3.7kW)
 Phase single
 Voltage 230V only
 Cycle..... 60Hz
 Listed FLA (full load amps) 20 A
 Starting amps..... 70 A
 Running amps (no load) 5.5 A
 Start capacitor..... 600MFD, 250V AC
 Run capacitor..... 80µF, 350V AC
 Power transfer poly-v drive belt
 On/off switch.....magnetic, with overload relay
 Motor speed.....3450 RPM
 Power plug installed.....no
 Recommended circuit and fuse/breaker size ¹..... 30A
 Sound emission ² 85 dB at 36" (914 mm) from blade, without load

¹ subject to local/national electrical codes.

² The specified values are emission levels and are not necessarily to be seen as safe operating levels. As workplace conditions vary, this information is intended to allow the user to make a better estimation of the hazards and risks involved only.

Arbor and blade:

Blade included no
 Blade diameter..... 12" (305mm)
 Arbor diameter 1" (25.4mm)
 Arbor speed (RPM) 4300
 Arbor lock yes
 Maximum depth of cut at 90 degrees..... 4" (102mm)
 Maximum depth of cut at 45 degrees..... 2-7/8" (73mm)
 Maximum rip to right of blade..... 50" (1270mm)
 Maximum rip to left of blade..... 14" (356mm)
 Dado maximum width 13/16" (20.6mm)
 Dado maximum diameter..... 8" (200mm)
 Blade height per one revolution of handwheel..... 3/32" (2.3mm) for 90°; 1/16" (1.7mm) for 45°
 Blade tilt..... left, 0 to 45 deg.

Materials:

Main table ground cast iron
 Trunnion cast iron
 Enclosed cabinet steel
 Legs..... steel
 Table extensions..... ground cast iron
 Handwheels..... steel

Table:

Main table without extensions..... 31-1/2"L x 24"W (800 x 610mm)
 Left table extension..... 31-1/2"L x 10"W (800 x 254mm)
 Inner table extension 31-1/2"L x 23"W (800 x 584mm)
 Outer table extension..... 31-1/2"L x 23"W (800 x 584mm)
 Table size with full left and right extensions..... 31-1/2"L x 80"W (800 x 2032mm)
 Table area in front of blade at maximum depth of cut..... 12" (305mm)
 Table height from floor 34" (864mm)
 Miter slot two T-slots; 15/16"W x 0.15"H (24x3.8mm); opening 3/4"W x 3/8"H (19x9.6mm)
 Edge bevel..... front edge bevel on main table

Dust collection:

Dust port outside diameter..... 4" (100mm)
 Minimum extraction volume required..... 350 cfm (18cmm)

Dimensions:

Cabinet footprint 25-1/4"L x 24-3/4"W (645 x 629mm)
Overall dimensions of shipping crate (basic saw only) 35"L x 32-1/4"W x 46-1/2"H (89 x 82 x 118cm)
Overall dimensions, fully assembled, accessories mounted 50"L x 84-1/2"W x 40"H (127 x 215 x 102cm)

Weights:

Saw Only (Net/Shipping) 531/573 lb (241/260 kg)
Saw assembled with all accessories 623 lb (282.5 kg)

The specifications in this manual were current at time of publication, but because of our policy of continuous improvement, JET reserves the right to change specifications at any time and without prior notice, without incurring obligations.

7.0 Setup and assembly

7.1 Tools required for assembly

Metric wrench set, or 6"-8" adjustable wrench
 Metric hex key set
 Straight edge

7.2 Shipping contents

Carton contents (see Figure 1)

- 1 Table saw (not shown)
 - 1 Blade guard – **A**
 - 1 Anti-kickback pawl assembly – **B**
 - 1 Lock knob – **C**
 - 1 Handwheel with swivel handle – **D**
 - 1 Riving knife – **E**
 - 1 Miter gauge – **F**
 - 1 Switch support brace – **G**
 - 1 Arbor wrench – **H**
 - 1 Push stick – **I**
 - 1 Hex key 8mm – **J**
 - 1 Storage hook, small – **K**
 - 2 Storage hooks, large – **L**
 - 1 Motor cover – **M**
 - 2 Legs with leveling feet – **N**
 - 1 Cast iron table extension, 10-inch – **O**
 - 2 Cast iron table extensions, 23-inch – **P**
 - 1 Operator's Manual (not shown)
 - 1 Warranty Card (not shown)
- 2 Hardware bags containing:
- 3 Hex cap screws, 7/16"x1-1/2" – **HP1**
 - 3 Lock washers, 7/16" – **HP2**
 - 3 Flat washers, 7/16" – **HP3**
 - 8 Hex cap screws, 5/16"x3/4" – **HP4**
 - 8 Lock washers, 5/16" – **HP5**
 - 8 Flat washers, 5/16" – **HP6**

Note: Fence and rail assemblies are shipped in separate cartons.

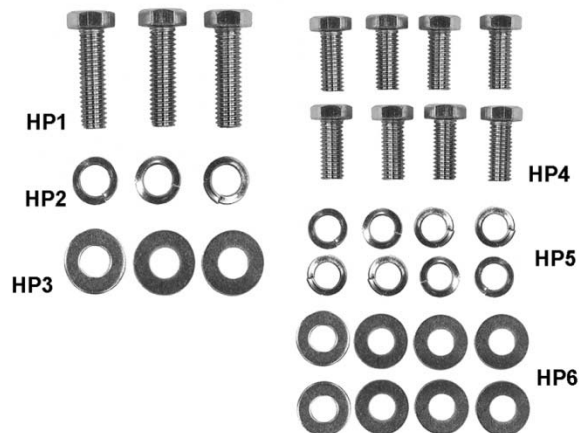


Figure 2

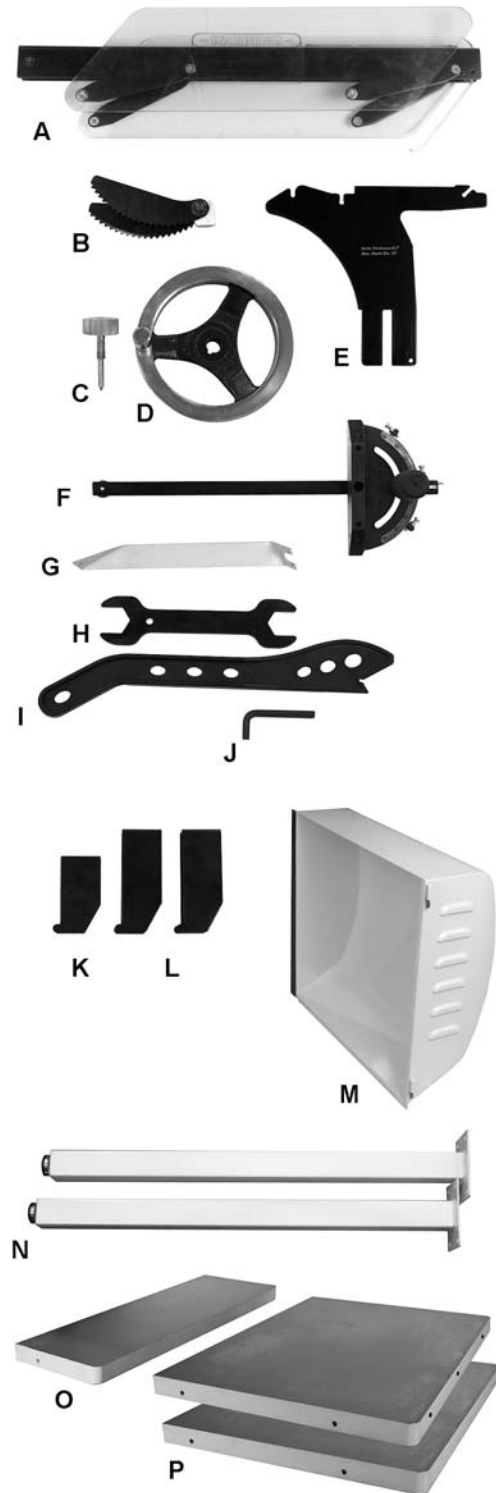


Figure 1
 (items not to scale)

7.3 Unpacking and cleanup

1. Remove all contents from shipping container. Do not discard any shipping material until saw is set up and running satisfactorily.
2. Inspect contents for shipping damage. Report damage, if any, to your local distributor.
3. Compare contents of shipping carton with the contents list in *section 7.2*. Also check saw in case any listed parts have been pre-installed. Report shortages, if any, to your distributor.
4. Exposed surfaces have been coated with a protectant. This can be removed with a soft rag and kerosene or a cleaner-degreaser.

7.4 Installation and leveling

- **Tool:** 12mm wrench

1. Remove two screws holding saw to pallet.
2. Carefully move saw to its final location. Final location for the saw must be level, dry, well lighted, and have enough room to allow movement around the saw with long pieces of wood stock.
3. Level the saw front to back and side to side using a carpenter's level placed on the table. Use shims under the cabinet corners, if necessary, but make sure saw is stable before being placed into service.

7.5 Installing table extensions

- **Hardware:** (9 each) 7/16" screws (**HP1**), lock washers (**HP2**), flat washers (**HP3**); and (8 each) 5/16" screws (**HP4**), lock washers (**HP4**), flat washers (**HP6**); and (3) table extensions.
- **Tools:** 17mm wrench, 12mm wrench, straight edge, lift table or similar supporting device

1. Remove shipping bracket (A, Figure 3) from table and switch. Keep the upper screw and washers; they will be used to hold table extension in place.



Figure 3

IMPORTANT: The tables must be aligned carefully to allow smooth transition of rip fence and workpieces over the seams.

2. Install the 10-inch table extension to left edge of saw table with three screws, lock washers and flat washers. Snug screws, but do not tighten.
3. Slide extension toward front edge of saw table until the two front edges are flush (D, Figure 4). This will ensure proper guide rail installation.

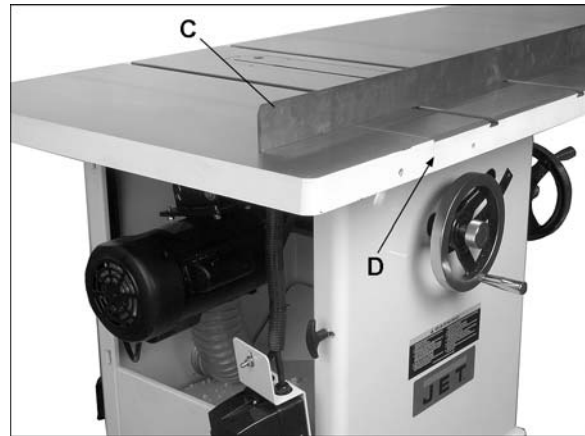


Figure 4

4. Use a straight edge (C, Figure 4) to align extension to saw table and tighten screws.
ASSEMBLY TIP: Align center section first and tighten center screw almost completely. Then place flat wood blocks at outer ends, spanning main table and extension, and use clamps to press blocks firmly against tables – this will bring the outer ends of tables into alignment. Tighten all three screws.
5. Identify the two 23-inch table extensions: the *inner* table extension has holes or slots on all four edges; the *outer* table extension has one blank edge and threaded holes underneath for leg attachment.

WARNING

The table extensions are heavy! Exercise caution and use assistants or a support device to hold the extensions while assembling.

6. Install inner table extension (E, Figure 5), with slots toward saw, with three screws and washers.
7. Follow steps 3 and 4 above. Continue supporting inner table extension until outer extension is installed.
8. Install legs (F) beneath outer table extension (G) with eight screws and washers.
9. Install outer table extension to edge of inner extension using steps 3 and 4. Rotate leveling feet on legs as needed.

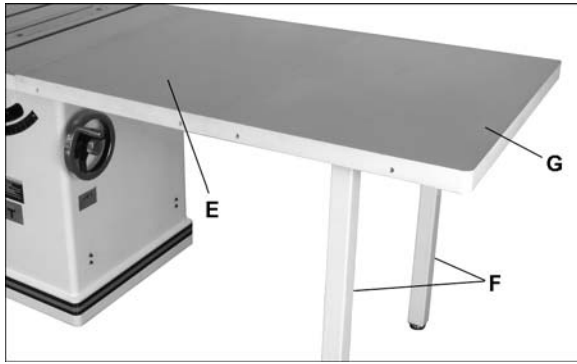


Figure 5

7.6 Installing motor cover

1. Install motor cover by aligning pins on cover with barrels on cabinet (A, Figure 6).
2. Fasten door by pulling out latch (B, Figure 6), closing door, and releasing latch.

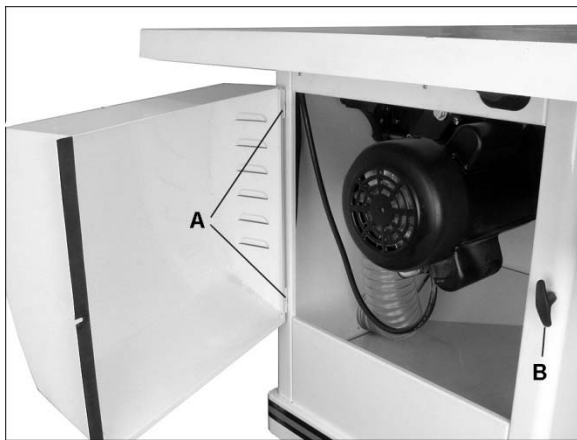


Figure 6

7.7 Installing handwheel

- **Hardware:** Handle and handwheel, lock knob
- **Tool:** 3mm hex key

1. Remove tape holding key to shaft.
2. Line up key on shaft with keyway in handwheel and slide handwheel (C, Figure 7) onto shaft.
3. Tighten set screw on handwheel hub securely to hold in place.
4. Insert lock knob (D, Figure 7) into center hole in shaft and rotate in clockwise direction.

Note: Rotate handwheel in order to free the packing below the motor.

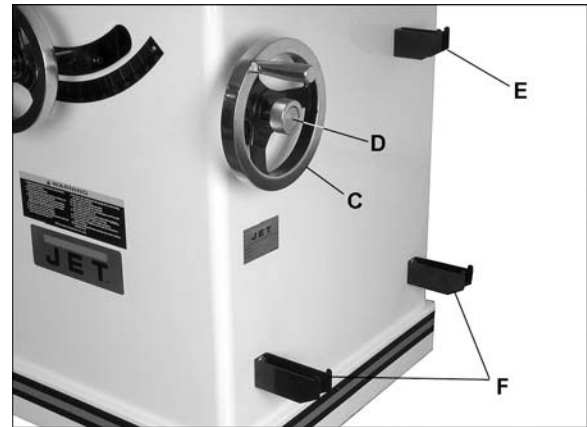


Figure 7

7.8 Installing storage hooks

- **Hardware:** Socket head cap screws and washers (already in cabinet holes)
- **Tool:** 5mm hex key

Install small hook (E, Figure 7) in upper hole for miter gauge storage. The larger hooks (F, Figure 7) are installed in the lower holes for fence storage.

7.9 Installing blade (not provided)

⚠ WARNING When installing or changing saw blade, always disconnect saw from power source. Failure to comply may cause serious injury.

- **Tool:** Arbor wrench

1. Raise blade arbor fully with front handwheel and lock it at zero degrees by tightening lock knob in middle of handwheel.
2. Remove arbor nut (A, Figure 8) and flange (B).
3. Place blade on arbor shaft, making sure the teeth point down toward front of saw. Reinstall flange and arbor nut.
4. Rotate arbor until hole (C) lines up with arbor lock pin (D). Push pin into hole and hold.
5. Tighten arbor nut with provided wrench. Do not overtighten.

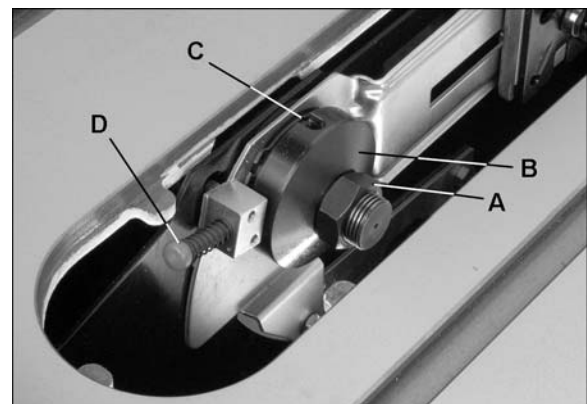


Figure 8

7.10 Installing riving knife

- **Hardware:** riving knife
- **Tool:** straight edge

1. Loosen handle (E, Figure 9).
2. Push tabs of riving knife into block as far down as it will go and tighten handle.

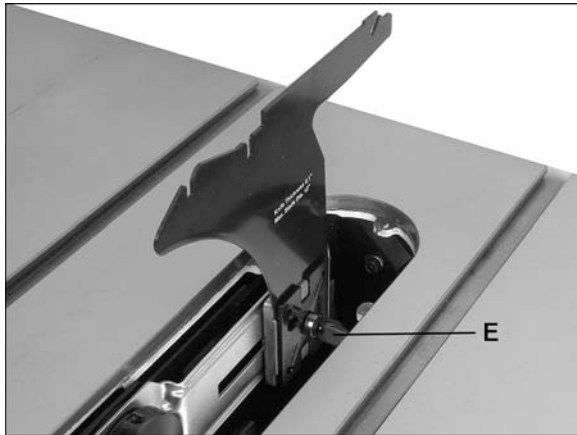


Figure 9

3. Install blade (not provided).
4. Lay a straight edge against side of riving knife and blade (Figure 10). Make sure it contacts flat surface of blade, not an offset tooth.
5. If knife and blade are not flush, note the direction in which riving knife needs to move to align. Remove riving knife and adjust any of four set screws (F, Figure 11).
6. Reinstall riving knife and check alignment again. Repeat as needed until surfaces are flush.

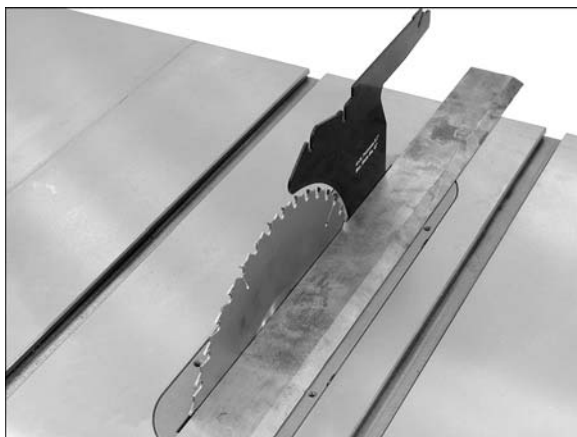


Figure 10

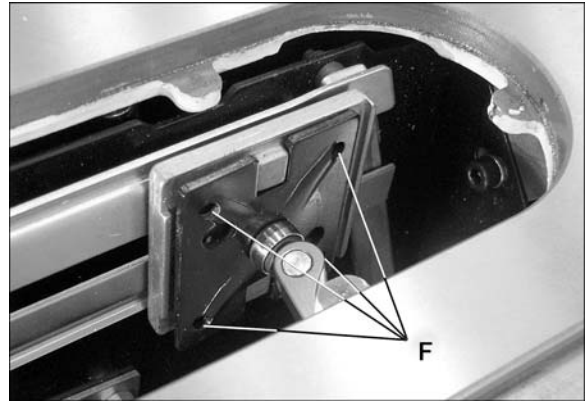


Figure 11

7.11 Table insert adjustment

- **Hardware:** Table insert
- **Tools:** Straight edge, 2.5mm hex key

Install table insert and make it flush with table by turning any of six leveling screws (G, Figure 12) while verifying with a straight edge.

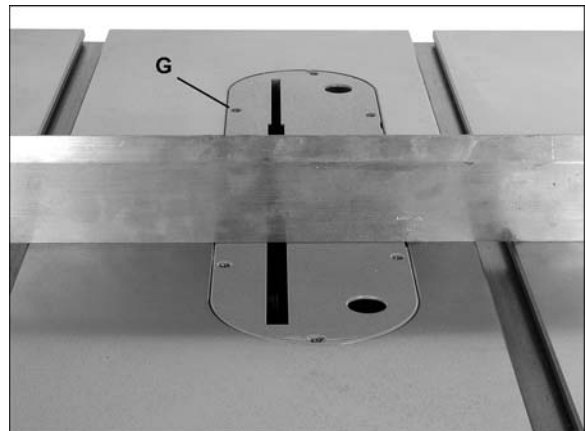


Figure 12

7.12 Installing anti-kickback pawls and blade guard assembly

1. Install riving knife and table insert.
2. Push the pin (H, Figure 13) at side of pawl assembly, and slide pawl assembly into recess of riving knife.
3. Push the pin (I, Figure 14) on rear of blade guard, and slide it into recess at back of riving knife. Allow front of guard to lower to the table.

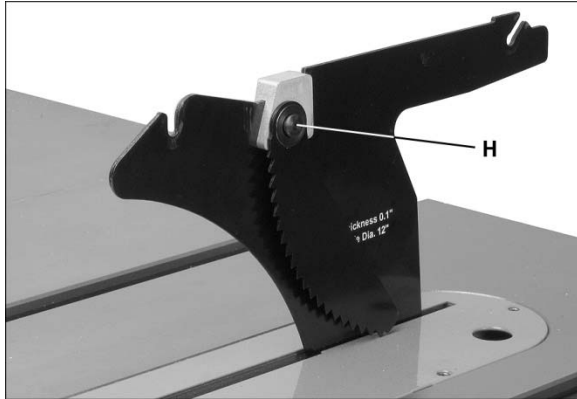


Figure 13



Figure 14

7.13 Installing rails and rip fence

With table extensions properly aligned and secured, the rail and fence assembly can be mounted to saw. See owner's manual M-708955Z, *XACTA Fence for JTAS-12-DX*, for instructions.

7.14 Installing switch and brace

- **Hardware:** Switch brace
- **Tool:** 8mm hex key, 8mm wrench

1. Place switch bracket assembly behind both front fence rail and lip of left table extension. (Do not place between front fence rail and table extension; this will cause front rail to distort and the fence to bind).
2. Loosen (do not remove) screw (A, Figure 15).
3. Slide open tab of switch brace onto the screw and washer. Hand tighten only at this time.
4. Remove nut and star washer from screw at bottom of switch plate.

5. Fasten switch brace to switch bracket assembly with the star washer and nut.
6. Align switch and tighten all hardware.



Figure 15

7.15 Miter gauge operation

1. Slide miter gauge into table T-slot.
2. Operate miter gauge by loosening lock knob (A, Fig. 16) and turning miter body (B) to desired angle. To move gauge beyond index stops of 45° and 90°, flip stop (C) out of the way.
3. Adjust index stops by turning one of three adjustment screws (D).

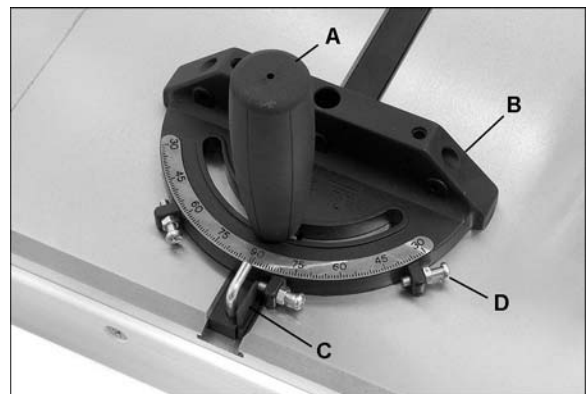


Figure 16

Note: Always make test cuts. Do not rely solely on miter gauge indicator marks. Holes are provided in the miter gauge body to allow mounting a wood extension fence.

8.0 Electrical connections

⚠WARNING Electrical connections must be made by a qualified electrician in compliance with all relevant codes. This machine must be properly grounded to prevent serious or fatal injury.

The JTAS-12-DX is rated for single phase, 230 volt power only. A plug is not provided.

Confirm power at the site matches that of the saw before making any electrical connections. Review the electrical diagram in *Section 13.0*.

You may either install a plug or “hard-wire” the saw directly to a control panel. If saw is to be hard-wired to a panel, make sure a disconnect is available for the operator. During hard-wiring, make sure the fuses have been removed or the breakers have been tripped in the circuit to which the machine will be connected. Place a warning placard on fuse holder or circuit breaker to prevent it being turned on while saw is being wired.

It is recommended that the JTAS-12-DX Table Saw be connected to a dedicated 30 amp circuit with circuit breaker or time delay fuse. **Local codes take precedence over recommendations.**

The on/off switch is thermally protected. If the saw motor is overloaded, or a momentary interruption of electrical current is sensed, the saw will shut off. Allow a few minutes for saw to cool down, then reset by pushing the off button.

8.1 Extension cords

The use of extension cords is discouraged. Try to position machines within reach of power source. If an extension cord becomes necessary, be sure to use one heavy enough to carry the current your product will draw. An undersized cord will cause a drop in line voltage resulting in loss of power and overheating.

Table 1 shows correct size to use depending on cord length and nameplate ampere rating. If in doubt, use the next heavier gauge. The smaller the gauge number, the heavier the cord.

Amp Rating		Volts	Total length of cord in feet			
More Than	Not More Than		50	100	200	300
		240	AWG			
0	6		18	16	16	14
6	10		18	16	14	12
10	12		16	16	14	12
12	16		14	12	Not Recommended	

*Extension Cord Recommendations
Table 1*

9.0 Adjustments

9.1 Blade raising and tilting

1. To raise or lower saw blade, loosen lock knob (A, Figure 17) and turn handwheel (B) on the saw front until desired height is reached. Tighten lock knob. Blade should be adjusted no more than 1/8" to 1/4" above top surface of material being cut.
2. To tilt blade, loosen lock knob (C, Figure 17), turn handwheel on right of saw cabinet (D) until desired angle is obtained, then tighten lock knob.

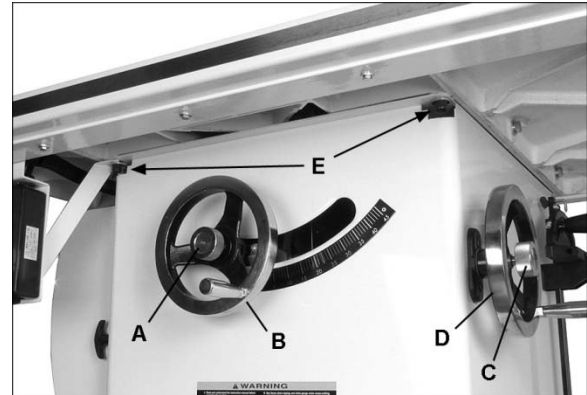


Figure 17

⚠WARNING All following adjustments must be made with machine disconnected from power source. Failure to comply may cause serious injury.

9.2 Blade alignment

- **Tool:** 8mm hex key, combination square, felt-tip marker

Blade alignment is set by the manufacturer, but should be verified by the operator. Also after a period of use, or after relocating saw, the blade may become misaligned with table. To check and align blade:

1. Disconnect saw from power source.
2. Remove blade guard and anti-kickback pawls.
3. Use the right T-slot as a shoulder for a combination square. See Figure 18.
4. Choose a tooth on the far edge of blade and directly over the insert. Mark the tooth.
5. Measure the distance from side of blade to right T-slot edge using a combination square. Note: The square should contact flat surface of blade between teeth, not a raised tooth edge.
6. Rotate blade toward front so that marked tooth is just above insert. Measure distance from marked point of blade to right T-slot edge. The two measurements should be equal.

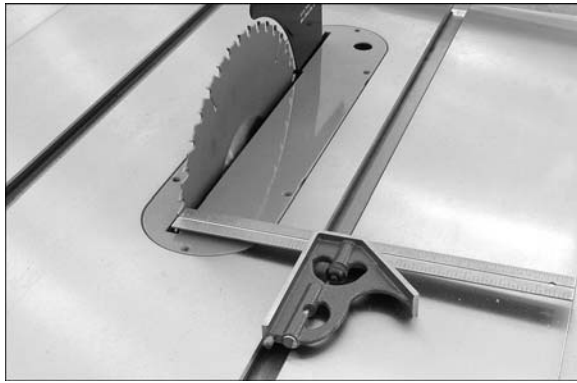


Figure 18

7. If measurements are not equal, locate the four screws that hold table to cabinet (E, Figure 17).
8. Loosen the four screws and bump the table as needed to align it with blade. Retighten screws firmly.

9.3 Adjusting 90° and 45° positive stops

- **Tool:** 12mm Wrench, combination square

Stops have been set by the manufacturer, but should be verified by the operator. Also after a period of use, or after relocating saw, the stops may need readjusting. To check and adjust the stops:

1. Disconnect saw from power source.
2. Raise saw blade to maximum height.
3. Set blade at 90-degrees to table by turning blade tilting handwheel clockwise as far as it will go.
4. Place a square on the table and check to see that blade is at 90-degree angle to table (Figure 19). Make sure square is not touching a blade tooth.

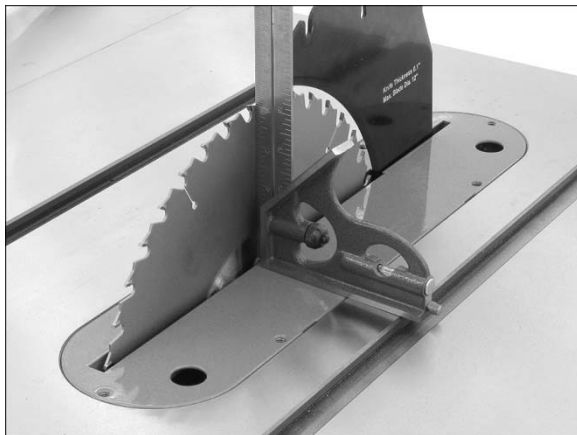


Figure 19

5. If blade is not at 90-degrees, open motor cover and tilt blade to access the stop screw.

6. Loosen lock nut (A, Figure 20) and turn stop screw (B) on front trunnion as needed. The stop screw should contact front trunnion bracket when blade is 90-degrees to table. Tilt blade back to 90-degrees and verify.
7. Tighten lock nut (A, Figure 20).



Figure 20

8. Verify pointer accuracy (C, Figure 21). Adjust if needed.
9. Set blade at 45-degrees to table by turning blade tilting handwheel counter-clockwise as far as it will go.
10. Place an angle measuring device on the table and against blade.
11. If blade is not at 45-degrees, loosen lock nut (D, Figure 21) and turn stop screw (E) on the front trunnion as needed. The stop screw should contact front trunnion bracket when blade is 45-degrees to table. (Note: You may wish to remove front handwheel for better access to stop screw.)
12. Verify pointer accuracy (C, Figure 21).

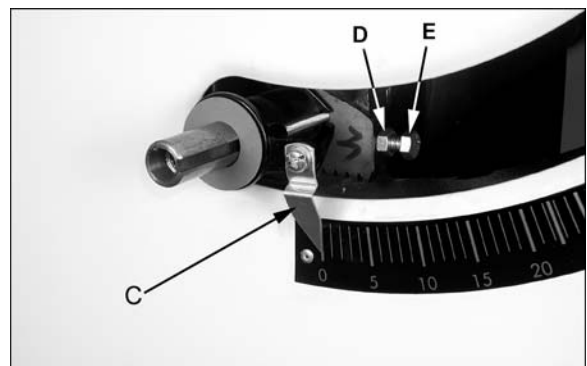


Figure 21
(shown with front handwheel removed)

9.4 Belt tension and replacement

1. Disconnect machine from power source.
2. Lower blade to its lowest point.
3. Loosen bolt (A, Figure 22).
4. Take tension off belt (B) by lifting up on motor.
5. Remove belt from arbor and motor pulleys.
6. Install new belt. The weight of the motor should apply sufficient tension to belt. Tighten bolt (A, Figure 22).

NOTE: New belts may stretch slightly until they are worn in. Check belt tension after saw has been used for a few hours, and adjust if necessary.

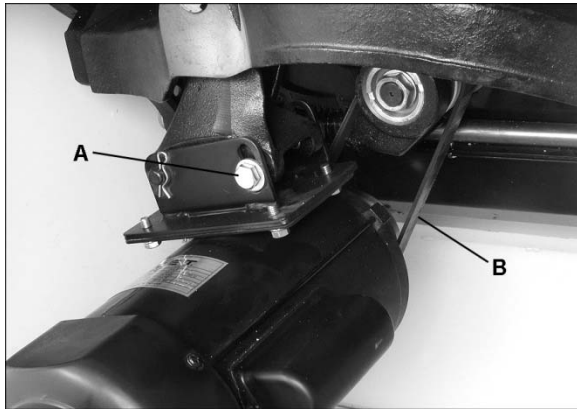


Figure 22

10.0 Maintenance

⚠WARNING Always disconnect power to the machine before performing maintenance. Failure to comply may cause serious injury.

Use vacuum or compressed air to clear out cabinet interior of sawdust and wood chips. Make sure motor fan and fan cover are also kept clear of sawdust.

Use a wire brush to clean worm gears and trunnions. Apply white lithium grease or powdered graphite to lubricate worm gears and trunnions.

Keep a light coat of rust-preventive on the table top when not in use. If rust develops on tabletop, remove it with WD-40® and a Scotch-Brite™ Hand Pad.

The saw arbor is press fitted in the saw raising arm housing. If the arbor ever needs to be removed for bearing replacement, it should be done by a qualified service technician. Call your customer service representative at the phone number on the front cover.

11.0 Troubleshooting the JTAS-12-DX Table Saw

11.1 Mechanical Problems

Symptom	Possible Cause	Correction
Motor will not start.	Saw disconnected from power source.	Check plug or hard-wired connections.
	Fuse blown or circuit breaker tripped.	Replace fuse or reset circuit breaker.
	Cord damaged.	Replace cord.
	Low voltage.	Check power line for proper voltage. Contact local electric company.
	Open circuit in motor or loose connection.	Inspect incoming leads for loose or open connections.
Motor will not start: fuses blow or circuit breakers trip.	Short circuit in line cord or plug.	Inspect cord or plug for damaged insulation and shorted wires.
	Short circuit or loose connections.	Inspect all connections at junction box and motor for loose or shorted terminals or worn insulation.
	Incorrect fuses or circuit breakers in power line.	Install correct fuses or circuit breakers.
Blade will not come up to speed.	Extension cord too light or too long.	Replace with adequate size electrical cord.
	Low voltage.	Check power line for proper voltage. Contact local electric company.
Motor overheats.	Motor overloaded.	Reduce load on motor.
	Air circulation through motor restricted.	Clean motor fan with compressed air to restore normal air circulation.
Motor stalls, resulting in blown fuses or tripped circuit.	Motor overloaded.	Reduce load on motor.
	Short circuit in motor or loose connections.	Inspect connections on motor for loose or shorted terminals or worn insulation.
	Low voltage.	Correct the low voltage conditions.
	Incorrect fuses or circuit breakers in power line.	Install correct fuses or circuit breakers.
Loud, repetitive noise coming from machine.	Pulley setscrews or keys are missing or loose.	Inspect keys and setscrews. Replace or tighten if necessary.
	Motor fan is hitting cover.	Tighten fan or shim cover.
	V-belt is defective.	Replace V-belt.
Saw vibrates excessively.	Cabinet on uneven floor.	Reposition on flat, level surface.
	Saw blade is damaged.	Replace blade.
	Loose hardware.	Tighten hardware.
	Pulley bent.	Inspect and replace pulley.
	Improper motor mounting.	Check and adjust motor, tighten bolt(s).
	V-belt is defective.	Replace V-belt.

Table 2

11.2 Operational Problems

Symptom	Possible Cause	Correction
Machine slows when operating.	Applying too much pressure to workpiece.	Feed workpiece more slowly.
	Belt loose.	Tension belt.
Blade not square with miter slot, or fence not square to blade.	Blade is warped.	Replace saw blade.
	Fence not parallel to blade.	Adjust fence parallel to blade.
	Table not parallel to blade.	Adjust table parallel to blade.
Does not make accurate 45- or 90-degree cuts.	Stops not adjusted properly.	Check blade with angle measuring device, and adjust stops.
	Miter gauge out of adjustment.	Use a square or angle-setting device to adjust miter gauge to blade.
Rip fence binds on guide rails.	Guide rails or extension table not properly installed.	Re-assemble according to owner's manual.
	Fence locking system not adjusted properly.	Use set screws to adjust tension against guide tube.
Material binds in blade when ripping.	Fence not aligned with blade.	Check and adjust fence.
	Warped wood.	Select different stock.
	Applying excessive pressure to workpiece.	Feed workpiece more slowly.
	Riving knife not aligned with blade.	Adjust riving knife.
Material kicked back from blade.	Fence out of alignment.	Align fence with miter slot.
	Riving knife not aligned with blade.	Align riving knife with blade.
	Feeding stock without a fence.	Always use fence or similar guide to feed stock; do not feed freehand.
	Dull blade.	Replace blade.
	Releasing material before it clears blade.	Push material completely past blade before releasing it.
	Anti-kickback pawls are dull.	Replace anti-kickback pawls, or sharpen their points.
Blade does not rise or tilt freely.	Sawdust/debris in raising and tilting mechanisms.	Clean and regrease problem areas.
Saw makes unsatisfactory cuts.	Dull blade.	Sharpen or replace blade.
	Blade mounted backward.	Turn blade around.
	Gum or pitch on blade.	Remove blade and clean.
	Incorrect blade for desired cut.	Change blade to correct style, tooth pitch, etc.
	Gum or pitch on table.	Clean table.

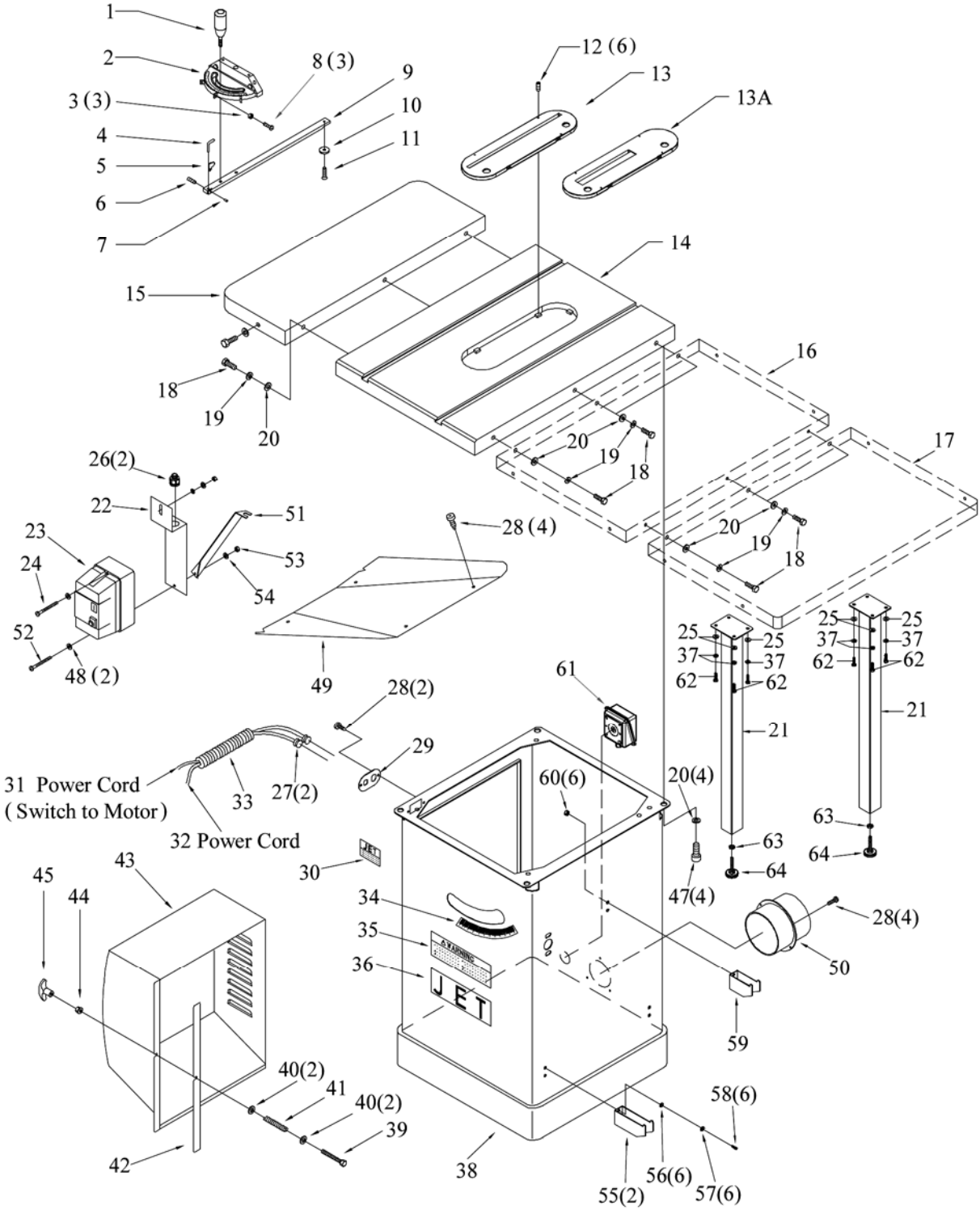
Table 3

12.0 Replacement Parts

Replacement parts are listed on the following pages. To order parts or reach our service department, call 1-800-274-6848 Monday through Friday, 8:00 a.m. to 5:00 p.m. CST. Having the Model Number and Serial Number of your machine available when you call will allow us to serve you quickly and accurately.

Non-proprietary parts, such as fasteners, can be found at local hardware stores, or may be ordered from JET. Some parts are shown for reference only, and may not be available individually.

12.1.1 Table and Cabinet Assembly (JTAS-12-DX) – Exploded View

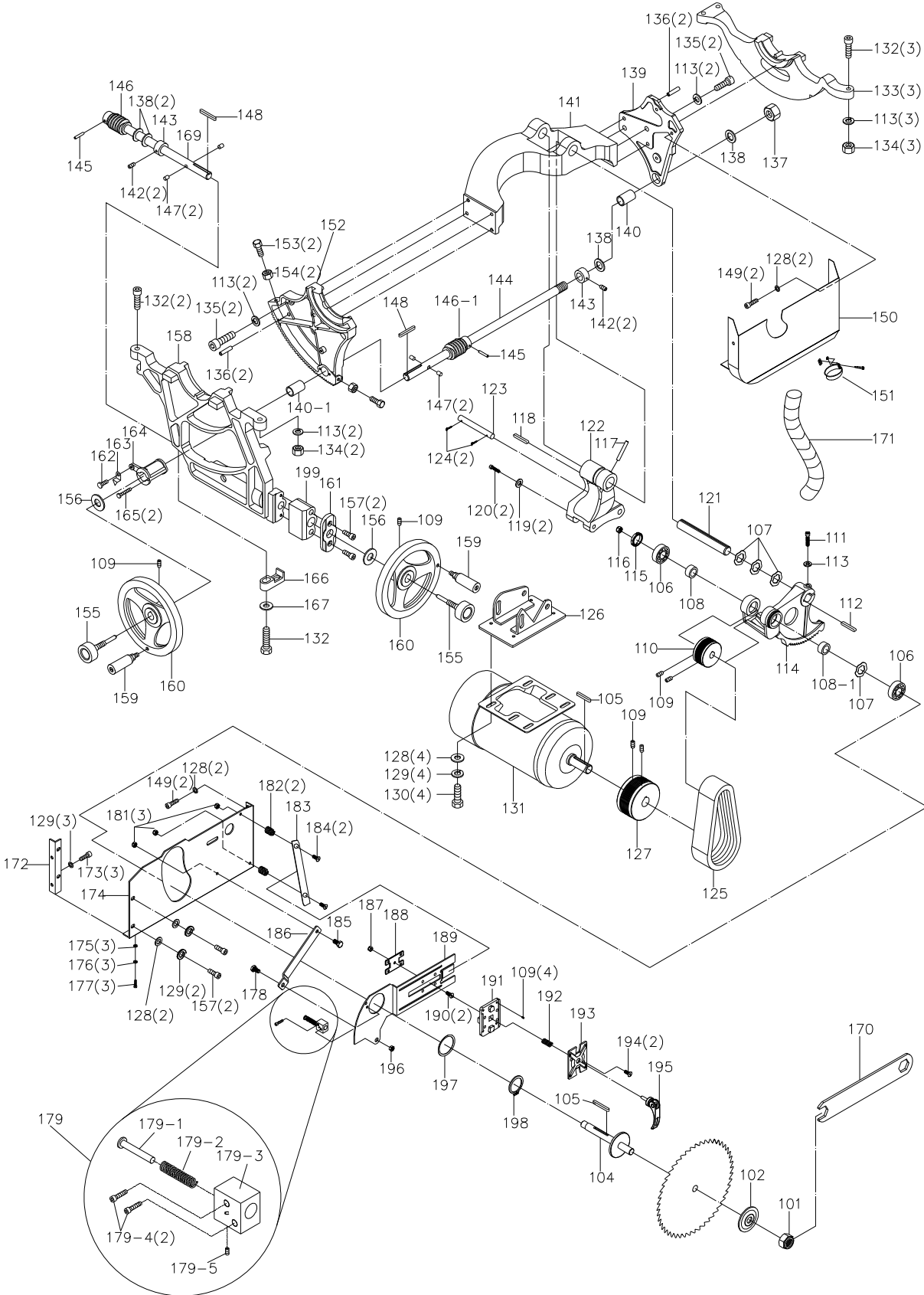


12.1.2 Table and Cabinet Assembly (JTAS-12-DX) – Parts List

Index No	Part No	Description	Size	Qty
1	JTAS10-1	Lock Knob		1
2	JTAS10-2	Miter Gauge Body		1
3	TS-1540031	Hex Nut	M5	3
4	JTAS10-4	Pointer		1
5	JTAS10-5	Stop Link		1
6	TS-1521011	Socket Set Screw	M4x4	1
7	JTAS10-7	Special Pin	M3x6	1
8	TS-2205201	Hex Cap Screw	M5x20	3
9	JTAS10-9	Guide Bar		1
10	JTAS10-10	Guide Washer		1
11	JTAS10-11	Flat Head Screw	M6x8	1
	JTAS10-MG	Miter Gauge Assembly (#1 thru 11)		1
12	TS-0267041	Socket Set Screw	1/4"-20x3/8"	6
13	JTAS12DX-13	Table Insert		1
13A	JTAS12DX-13A	Dado Insert		1
14	JTAS12DX-14	Table		1
15	JTAS12DX-15	Left Table Extension	31-1/2"L x 10"W	1
16	JTAS12DX-16	Inner Table Extension	31-1/2"L x 23"W	1
17	JTAS12DX-17	Outer Table Extension	31-1/2"L x 23"W	1
18	TS-0061051	Hex Cap Screw	7/16"-14x1-1/2"	9
19	TS-0720101	Lock Washer	7/16"	9
20	TS-0680051	Flat Washer	7/16"	13
21	JTAS12DX-21	Leg		2
22	JTAS10-22W	Switch Plate		1
23	JTAS12-23	Magnetic Switch	5HP, 1 Ph, 230V	1
24	TS-081C052	Pan Head Screw	#10-24x3/4	1
25	TS-0680031	Flat Washer	5/16"	8
26	JTAS10-26	Strain Relief Bushing		2
27	JTAS10-27	Strain Relief Bushing		2
28	JTAS10-28	Tap Screw	M5x10	10
29	JTAS10-29	Cord Plate		1
30	JTAS12DX-30	Identification Plate		1
31	JTAS12DX-31	Power Cord (switch to motor)	12AWG x 3C	1
32	JTAS12DX-32	Power Cord	12AWG x 3C	1
33	JTAS10-33	Power Cord Sleeve		1
34	JTAS10L-34	Tilt Scale		1
35	JTAS10-35	Warning Label		1
36	JET-138	JET Logo	138x57mm	1
37	TS-0720081	Lock Washer	5/16"	8
38	JTAS12DX-38	Cabinet		1
39	TS-1482101	Hex Cap Screw	M6x50	1
40	TS-0680021	Flat Washer	1/4"	2
41	JTAS10-41	Spring		1
42	JTAS10-42	Foam Strip		1
43	JTAS12DX-43	Motor Cover		1
44	TS-1541021	Nylon Insert Lock Nut	M6	1
45	JTAS10-45	Handle		1
47	TS-0210011	Socket Head Cap Screw	7/16"-14x3/4"	4
48	TS-0680011	Flat Washer	3/16"	2
49	JTAS12DX-49	Lower Panel		1
50	JTAS10L-50N	Dust Hose Adapter		1
51	JTAS12DX-51	Switch Brace Kit		1
52	TS-081C062	Screw	#10-24x1	1
53	TS-0560071	Hex Nut	#10-24	1
54	TS-0733031	Star Washer	#10	1
55	JTAS10L-55	Hook (large)		2
56	TS-0680021	Flat Washer	1/4"	6
57	TS-0720071	Lock Washer	1/4"	6
58	TS-0207031	Socket Head Cap Screw	1/4"-20x5/8"	6
59	JTAS10L-59	Hook (small)		1

Index No.	Part No.	Description	Size	Qty
60	TS-0561011	Hex Nut	1/4"-20"	6
61	JTAS10L-61	Electrical Box		1
62	TS-0081031	Hex Cap Screw	5/16" x3/4"	8
63	TS-1540071	Hex Nut	M10	2
64	JTAS12DX-64	Leveling Foot	M10 x75	2
	STRIPE-1-3/4	Stripe (not shown)	1-3/4" wide	per 9.12 ft.

12.2.1 Trunnion and Motor Assembly (JTAS-12-DX) – Exploded View

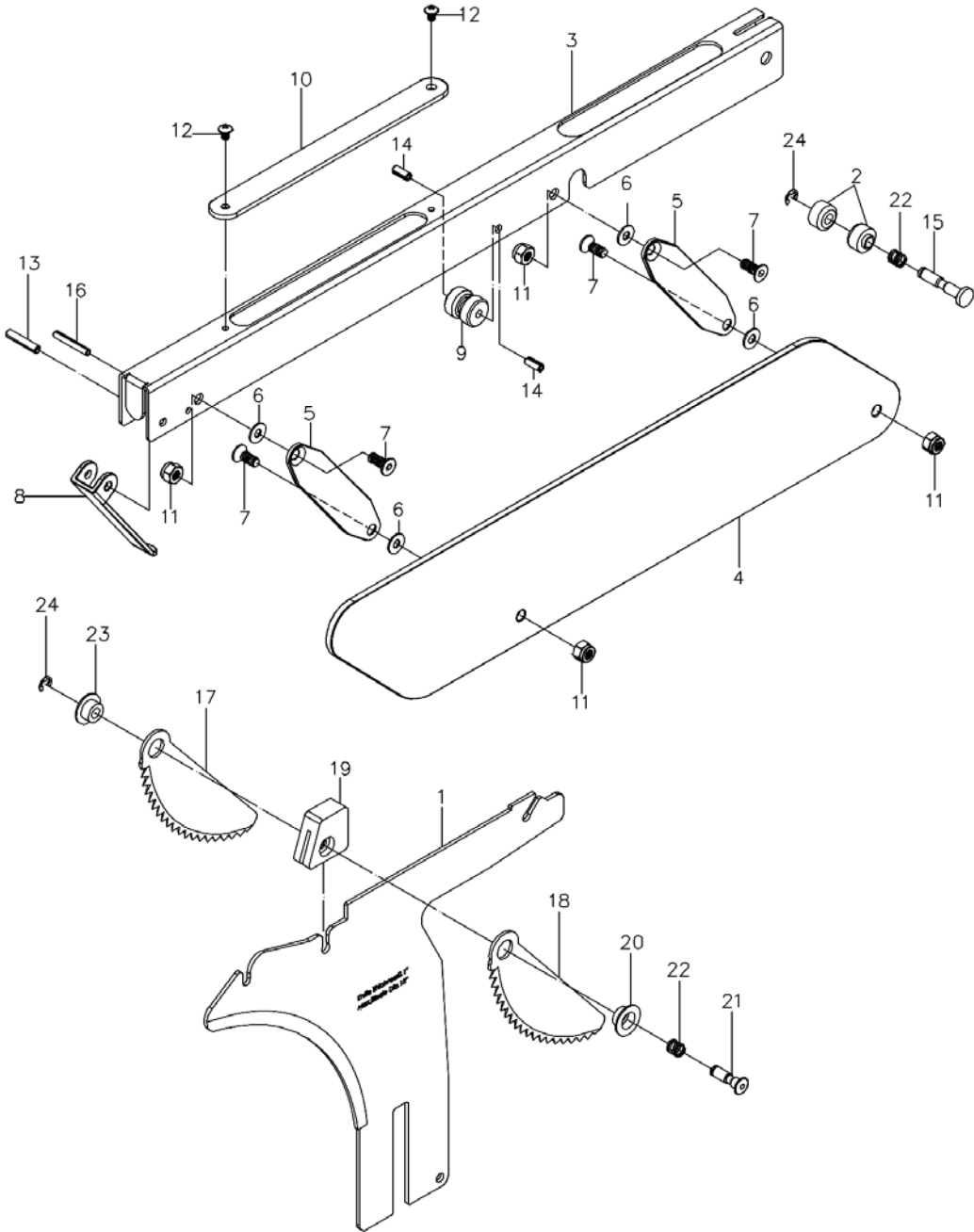


12.2.2 Trunnion and Motor Assembly (JTAS-12-DX) – Parts List

Index No	Part No	Description	Size	Qty
101	JTAS12L-101	Arbor Nut		1
102	JTAS12DX-102	Arbor Flange		1
104	JTAS12DX-104	Arbor with Flange		1
105	JTAS12DX-105	Key	1/4"x1/4"x1-3/4"	2
106	BB-6005ZZ	Ball Bearing	6005ZZ	2
107	JTAS12DX-107	Wave Washer		4
108	JTAS12DX-108	Rear Bearing Load Spacer		1
108-1	JTAS12DX-108-1	Front Bearing Load Spacer		1
109	TS-0267041	Socket Set Screw	1/4"-20x3/8"	10
110	JTAS-12DX-110	Arbor Pulley		1
111	TS-0209081	Socket Head Cap Screw	3/8"-16x1-3/4"	1
112	JTAS10DX-112	Key	1/4" x1/4"x45mm	1
113	TS-0720091	Lock Washer	3/8"	10
114	JTAS12DX-114	Arbor Bracket		1
115	JTAS12-115	Spanner Nut		1
116	JTAS12-116	Nylon Hex Nut (LH thread)	3/4"-16	1
117	JTAS10-117	Spring Pin	M6x50	1
118	JTAS10-118	Key	1/4"x1/4"x2-5/16"	1
119	TS-0680051	Flat Washer	7/16"	2
120	TS-0091031	Hex Cap Screw	7/16"-14x1"	2
121	JTAS10DX-121	Shaft		1
122	JTAS10-122	Motor Bracket		1
123	JTAS10-123	Pin		1
124	JTAS10L-124	Spring Clip		2
125	JTAS12DX-125	Poly V-Belt	PJ250	1
126	JTAS10DX-126	Motor Mounting Bracket		1
127	JTAS10-127N	Motor Pulley		1
128	TS-0680031	Flat Washer	5/16"	10
129	TS-0720081	Lock Washer	5/16"	9
130	TS-0081031	Hex Cap Screw	5/16"-18x3/4"	4
131	JTAS12DX-131	Motor	5HP 1PH 230V only	1
	JTAS10-131-017	Centrifugal Switch Assembly (not shown)		1
	JTAS10-131D	Fan Cover (not shown)		1
	JTAS10-131F	Motor Fan (not shown)		1
	JTAS10-1315B	Start Capacitor (not shown)	600MFD/250VAC	1
	JTAS10-1315A	Run Capacitor (not shown)	80uF/350VAC	1
132	TS-0209071	Socket Head Cap Screw	3/8"-16x1-1/2"	6
133	JTAS10DX-133	Rear Trunnion Bracket		1
134	TS-0561031	Hex Nut	3/8"-16	5
135	TS-0209051	Socket Head Cap Screw	3/8"-16x1"	4
136	JTAS10-136	Spring Pin	M8x25	4
137	TS-0561081	Hex Nut	3/4"-10	1
138	JTAS10-138	Fiber Washer		4
139	JTAS10DX-139	Rear Trunnion		1
140	JTAS10-140	Rear Bushing		2
140-1	JTAS10DX-140	Front Bushing		1
141	JTAS12DX-141	Yoke		1
142	TS-0270011	Socket Set Screw	5/16"-18x1/4"	4
143	JTAS10-143	Collar		2
144	JTAS12DX-144	Shaft		1
145	JTAS10-145	Spring Pin	M5x30	2
146	JTAS10-146	Worm (Left thread)		1
146-1	JTAS10DX-146	Worm (Right thread)		1
147	JTAS10-147	Lock Pin		4
148	JTAS10-148	Key	M5x35	2
149	TS-0208021	Socket Head Cap Screw	5/16"-18x1/2"	4
150	JTAS12DX-150	Dust Deflector		1
151	JTAS10L-151N	Hose Clamp		2
152	JTAS10DX-152	Front Trunnion		1
	JTAS12DX-TA	Trunnion Assembly (#113, 135, 136, 139 thru 141, 152)		1

Index No.	Part No.	Description	Size	Qty
153	TS-0051021	Hex Cap Screw	5/16"-18x5/8"	2
154	TS-0561021	Hex Nut	5/16"-18	2
155	JTAS10-155A	Lock Knob		2
156	JTAS10-156	Fiber Washer		2
157	TS-0208061	Socket Head Cap Screw	5/16"-18x1"	2
158	JTAS10DX-158	Front Trunnion Bracket		1
159	JTAS10-159	Handwheel Handle		2
160	JTAS10-160	Handwheel		2
161	JTAS10-161	Shield Plate		1
162	TS-0813022	Round Head Screw	1/4"-20x3/8"	1
163	JTAS10-163	Pointer		1
164	JTAS10-164	Pointer Bracket		1
165	TS-081C102	Pan Head Screw	#10-24x2"	2
166	JTAS10DX-166	Guide Block		1
167	TS-0680041	Flat Washer	3/8"	1
169	JTAS12DX-169	Tilt Shaft		1
170	JTAS12-170	Wrench		1
171	JTAS10L-171	Hose	700mm	1
172	JTAS10L-172	Plate		1
173	TS-0208041	Socket Head Cap Screw	5/16"-18x3/4"	3
174	JTAS12DX-174	Chip Plate		1
175	TS-0680011	Flat Washer	3/16	3
176	TS-0720051	Lock Washer	#10	3
177	JTAS10L-177	Hex Cap Bolt	#10-24x3/8	3
178	JTAS10L-178	Special Screw		1
179	JTAS10L-179A	Arbor Lock Insert Assembly (#179-1 thru 179-5)		1
179-1	JTAS10L-179-1	Arbor Lock Insert	Ø8	1
179-2	JTAS10L-179-2	Spring		1
179-3	JTAS10L-179-3	Insert Block		1
179-4	TS-1502051	Socket Head Cap Screw	M5 x 20	2
179-5	TS-1521041	Socket Set Screw	M4 x 10	1
181	TS-0640071	Nylon Insert Lock Nut	1/4-20	3
182	JTAS10L-182N	Spacer		2
183	JTAS12DX-183	Guide Plate		1
184	TS-0245051	Flat Head Socket Screw	1/4-20x1	2
185	JTAS10L-185	Special Screw		1
186	JTAS12DX-186	Extension Support Plate		1
187	TS-1541021	Nylon Insert Lock Nut	M6	1
188	JTAS10L-188	Plate		1
189	JTAS12DX-189	Riving Knife Extension Plate		1
190	TS-1513021	Flat Head Socket Screw	M5x12	2
191	JTAS10L-191	Clamping Block		1
192	JTAS10L-192	Spring		1
193	JTAS10L-193	Clamping Block		1
194	TS-1514031	Flat Head Socket Screw	M6X20	2
195	JTAS10L-195	Locking Handle		1
196	TS-1541031	Nylon Insert Lock Nut	M8	1
197	JTAS12DX-197	Spring Shim Ring		1
198	JTAS12DX-198	C-Ring	S58	1
199	JTAS12DX-199	Guide Block		1

12.3.1 Blade Guard Assembly (JTAS-12-DX) – Exploded View

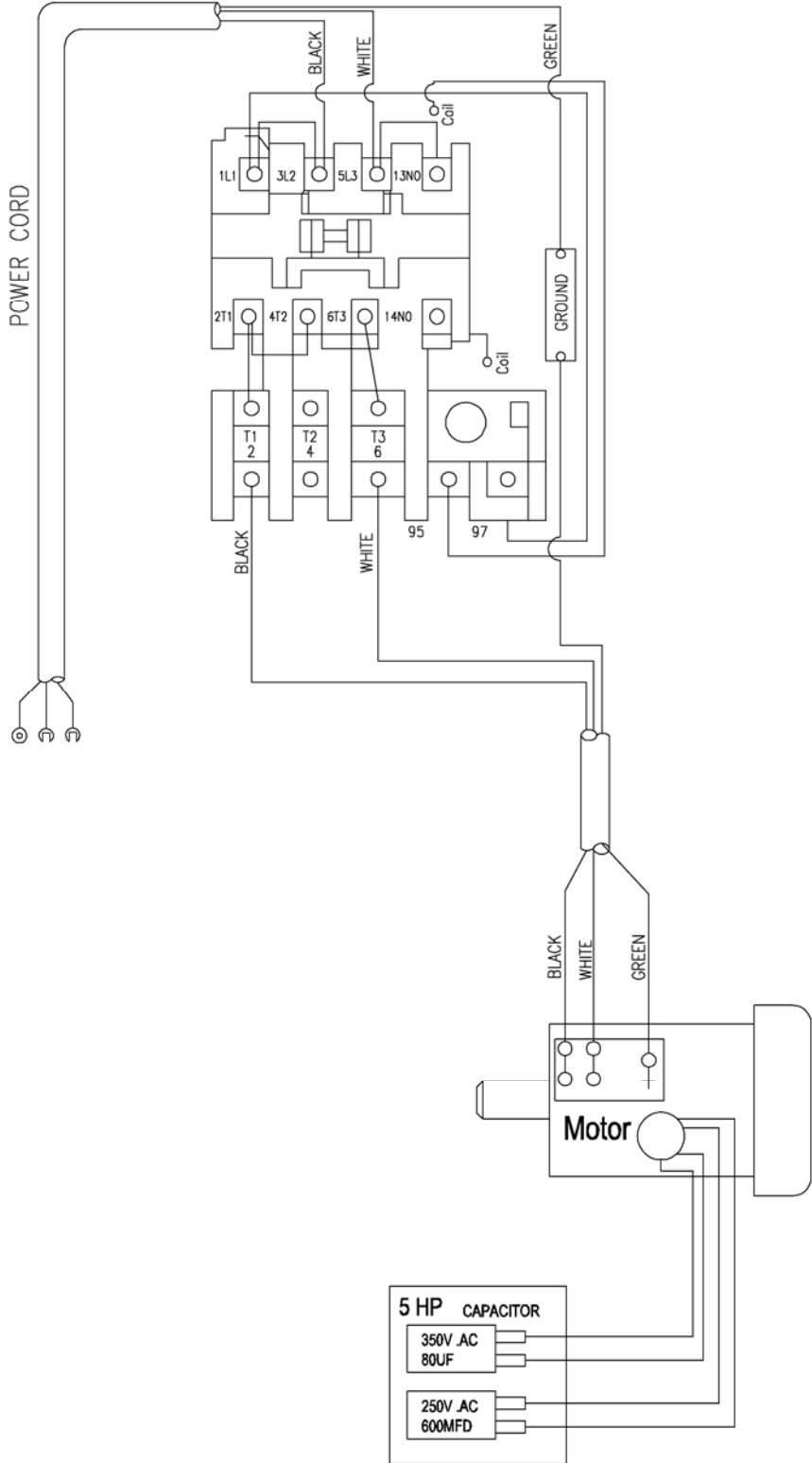


12.3.2 Blade Guard Assembly (JTAS-12-DX) – Parts List

Index No	Part No	Description	Size	Qty
1	JTAS12DX-301	Riving Knife		1
	JTAS12DX-BGA	Blade Guard Assembly (#2 thru 16, 22, 24)		1
2	JTAS12DX-302	Bushing		2
3	JTAS12DX-303	Blade Guard Body		1
4	JTAS12DX-304	Blade Guard Side Shield		2
5	JTAS12DX-305	Linking Plate		4
6	TS-1550041	Flat Washer	M6	8
7	TS-1514021	Flat Head Socket Screw	M6x16	8
8	JTAS12DX-308	Front Shield		1
9	PM2000-309	Bushing		1
10	PM2000-310	Top Sight Shield		1
11	TS-1541021	Nylon Insert Lock Nut	M6	8
12	TS-081B012	Pan Head Screw	#8-32x1/4	2
13	PM2000-313	Roll Pin	5x25	1
14	PM2000-314	Roll Pin	5x12	2
15	PM2000-315	Lock Pin		1
16	PM2000-316	Roll Pin	4x28	1
	JTAS12DX-AKPA	Anti-Kickback Pawl Assembly (#17 thru 24)		1
17	JTAS12DX-317	Left Anti-Kickback Pawl		1
18	JTAS12DX-318	Right Anti-Kickback Pawl		1
19	PM2000-318	Pawl Base		1
20	JTAS12DX-320	Flange		1
21	PM2000-320	Lock Pin		1
22	PM2000-321	Spring		2
23	JTAS12DX-323	Flange		1
24	PM2000-322	E-Clip	E5	2

13.0 Electrical Connections

Electrical Schematic - Single Phase - 230V





427 New Sanford Road
LaVergne, Tennessee 37086
Phone: 800-274-6848
www.jettools.com