



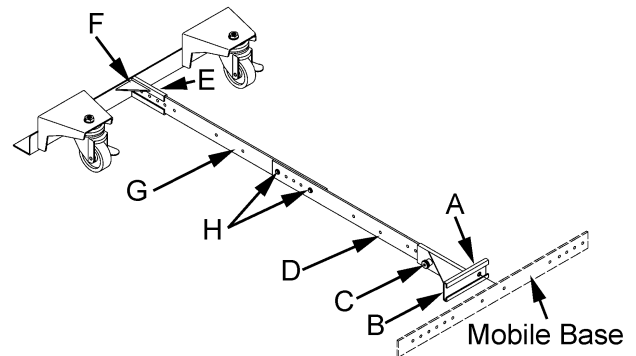
Instruction Sheet

JMB-UMB-HD Mobile Base Extension Kit

WARNING

All castors should be locked unless the machine is being moved. Do not move while the machine has power, or is plugged in. All castors should always be locked while the machine is being used.

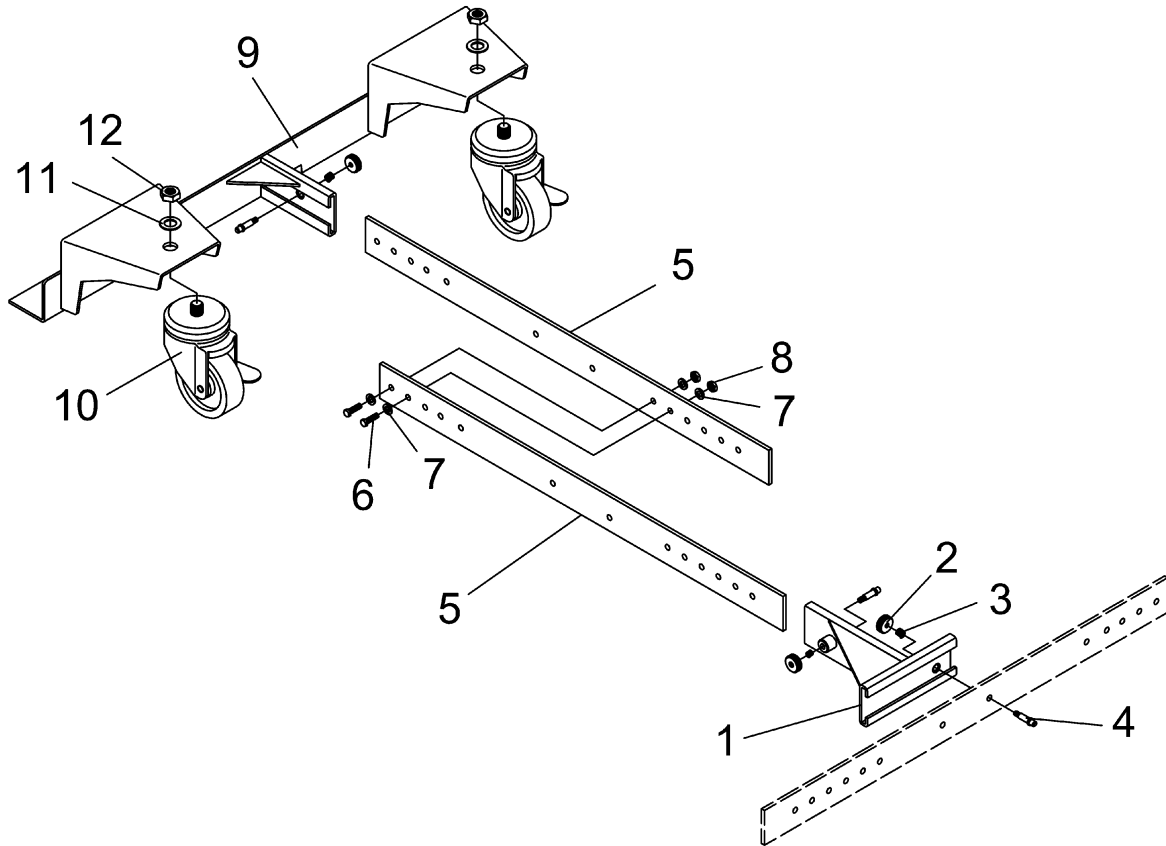
1. If a machine is already on a JET Mobile Base it will need to be removed before attaching extension kit.
2. Disassemble the end of mobile base that will accommodate the extension kit.
3. Pull out the spring-loaded knob (A) and slide extension bracket (B) over the side adjusting plate that came with the mobile base.
4. Pull out the spring-loaded knob (C) and slide the adjusting plate (D) into the end of the extension bracket.
5. Pull out the spring-loaded knob (E) found on the side support (F) and slide the adjusting plate (G) into the bracket of the side support.
6. Position side support so that 90 degree bracket on the outboard end will support legs of the tablesaw extension table.
7. Bolt both adjusting plates together using two 1/4" bolts, four 1/4" flat washers and two 1/4" hex nuts (H).
8. Lock castors by stepping on the brake pedals. Unlock by flipping the pedal up with your foot.



JET
427 New Sanford Road
LaVergne, Tennessee 37086
Ph.: 800-274-6848
www.jettools.com

Part No. M-708158
Revision A1 06/2014
Copyright © 2014 JET

JMB-UMB-HD Mobile Base Extension Kit Breakdown



Part's List for the JMB-UMB-HD Mobile Base Extension Kit

Index No.	Part No.	Description	Size	Qty.
1	JMB-UMB01EK	Extension Bracket		1
2	JMB-UMB06	Knob		3
3	JMB-UMB07	Spring		3
4	JMB-UMB08	Index Pin		3
5	JMB-UMB05HD	Adjusting Plate		2
6	TS-0050031	Hex Cap Screw	1/4" x 3/4"	2
7	TS-0680021	Flat Washer	1/4"	4
8	TS-0570011	Hex Nut	1/4"-20UNC	2
9	JMB-UMB09EK	Side Support		1
10	JMB-UMB09HD	Swivel Castor		2
11	TS-0720111	Lock Washer	1/2"	2
12	JMB-UMB11HD	Hex Nut	1/2-12UNC	2