



Operating Instructions and Parts Manual

10" Job Site Table Saw

Benchtop Series – Model No. JBTS-10MJS



For models with serial no. 12120886 and higher

JET
427 New Sanford Road
LaVergne, Tennessee 37086
Ph.: 800-274-6848
www.jettools.com

Part No. M-707000
Revision B2 01/2017
Copyright © 2017 JET

Warranty and Service

JET warrants every product it sells against manufacturers' defects. If one of our tools needs service or repair, please contact Technical Service by calling 1-800-274-6846, 8AM to 5PM CST, Monday through Friday.

Warranty Period

The general warranty lasts for the time period specified in the literature included with your product or on the official JET branded website.

- JET products carry a limited warranty which varies in duration based upon the product. (See chart below)
- Accessories carry a limited warranty of one year from the date of receipt.
- Consumable items are defined as expendable parts or accessories expected to become inoperable within a reasonable amount of use and are covered by a 90 day limited warranty against manufacturer's defects.

Who is Covered

This warranty covers only the initial purchaser of the product from the date of delivery.

What is Covered

This warranty covers any defects in workmanship or materials subject to the limitations stated below. This warranty does not cover failures due directly or indirectly to misuse, abuse, negligence or accidents, normal wear-and-tear, improper repair, alterations or lack of maintenance. JET woodworking machinery is designed to be used with Wood. Use of these machines in the processing of metal, plastics, or other materials outside recommended guidelines may void the warranty. The exceptions are acrylics and other natural items that are made specifically for wood turning.

Warranty Limitations

Woodworking products with a Five Year Warranty that are used for commercial or industrial purposes default to a Two Year Warranty. Please contact Technical Service at 1-800-274-6846 for further clarification.

How to Get Technical Support

Please contact Technical Service by calling 1-800-274-6846. **Please note that you will be asked to provide proof of initial purchase when calling.** If a product requires further inspection, the Technical Service representative will explain and assist with any additional action needed. JET has Authorized Service Centers located throughout the United States. For the name of an Authorized Service Center in your area call 1-800-274-6846 or use the Service Center Locator on the JET website.

More Information

JET is constantly adding new products. For complete, up-to-date product information, check with your local distributor or visit the JET website.

How State Law Applies

This warranty gives you specific legal rights, subject to applicable state law.

Limitations on This Warranty

JET LIMITS ALL IMPLIED WARRANTIES TO THE PERIOD OF THE LIMITED WARRANTY FOR EACH PRODUCT. EXCEPT AS STATED HEREIN, ANY IMPLIED WARRANTIES OF MERCHANTABILITY AND FITNESS FOR A PARTICULAR PURPOSE ARE EXCLUDED. SOME STATES DO NOT ALLOW LIMITATIONS ON HOW LONG AN IMPLIED WARRANTY LASTS, SO THE ABOVE LIMITATION MAY NOT APPLY TO YOU. JET SHALL IN NO EVENT BE LIABLE FOR DEATH, INJURIES TO PERSONS OR PROPERTY, OR FOR INCIDENTAL, CONTINGENT, SPECIAL, OR CONSEQUENTIAL DAMAGES ARISING FROM THE USE OF OUR PRODUCTS. SOME STATES DO NOT ALLOW THE EXCLUSION OR LIMITATION OF INCIDENTAL OR CONSEQUENTIAL DAMAGES, SO THE ABOVE LIMITATION OR EXCLUSION MAY NOT APPLY TO YOU.

JET sells through distributors only. The specifications listed in JET printed materials and on official JET website are given as general information and are not binding. JET reserves the right to effect at any time, without prior notice, those alterations to parts, fittings, and accessory equipment which they may deem necessary for any reason whatsoever. JET® branded products are not sold in Canada by JPW Industries, Inc.

Product Listing with Warranty Period

90 Days – Parts; Consumable items
1 Year – Motors; Machine Accessories
2 Year – Metalworking Machinery; Electric Hoists, Electric Hoist Accessories; Woodworking Machinery used for industrial or commercial purposes
5 Year – Woodworking Machinery
Limited Lifetime – JET Parallel clamps; VOLT Series Electric Hoists; Manual Hoists; Manual Hoist Accessories; Shop Tools; Warehouse & Dock products; Hand Tools; Air Tools

NOTE: JET is a division of JPW Industries, Inc. References in this document to JET also apply to JPW Industries, Inc., or any of its successors in interest to the JET brand.

Table of Contents

Warranty and Service	2
Table of Contents	3
Warnings.....	4
Table Saw Safety.....	6
Specifications.....	7
Definitions and Terminology	7
Electrical	8
Grounding Instructions.....	8
115 Volt Operation Only.....	8
Extension Cords.....	8
Features.....	9
Shipping Contents	10
Assembly	12
Stand.....	12
Attaching Saw to Stand.....	12
Mounting the Saw to Work Surface	13
Rear Table Extension	13
Handwheel Handle.....	14
Installing the Blade.....	14
Removing the Blade.....	14
Blade Guard Assembly	15
Installing the Push-stick Storage.....	16
Storage.....	16
Adjustments	17
Setting up the Stand	17
Folding the Stand.....	17
Adjusting the Table Insert	17
Aligning the Blade Guard Splitter	18
90° and 45° Positive Stop Adjustment.....	19
Blade Tilt Pointer.....	19
Blade Parallel to the Miter Slot.....	20
Adjusting the Miter Gauge	21
Rip Fence Adjustment.....	21
Rip Fence Indicator	22
Table Extension Scale Pointer.....	22
Rear Table Extension Adjustment	22
Adjusting the Locking Lever.....	22
Additional Blade Adjustments	20
Operation	23
Basic Saw Operations.....	23
Cutting Operations	24
Maintenance	28
Push Stick Construction	29
Troubleshooting	30
Parts	31
Ordering Replacement Parts	31
JBTS-10MJS Table Saw – Parts List.....	31
JBTS-10MJS Table Saw – Exploded View	36
JBTS-10MJS Mobile Stand – Parts List.....	38
JBTS-10MJS Mobile Stand – Exploded View.....	40
Wiring Diagram	41

The specifications in this manual are given as general information and are not binding. JET reserves the right to effect, at any time and without prior notice, changes or alterations to parts, fittings, and accessory equipment deemed necessary for any reason whatsoever.



Warnings

1. Read and understand the entire owners' manual before attempting assembly or operation.
2. Read and understand the warnings posted on the machine and in this manual. Failure to comply with all of these warnings may cause serious injury.
3. Replace the warning labels if they become obscured or removed.
4. This saw is designed and intended for use by properly trained and experienced personnel only. If you are not familiar with the proper and safe operation of a table saw, do not use until proper training and knowledge have been obtained.
5. Do not use this saw for other than its intended use. If used for other purposes, JET disclaims any real or implied warranty and holds itself harmless from any injury that may result from that use.
6. Always wear approved safety glasses/face shields while using this table saw. Everyday eyeglasses only have impact resistant lenses; they are not safety glasses.
7. Before operating this saw, remove tie, rings, watches and other jewelry, and roll sleeves up past the elbows. Remove all loose clothing and confine long hair. Non-slip footwear or anti-skid floor strips are recommended. Do **not** wear gloves.
8. Wear ear protectors (plugs or muffs) during extended periods of operation.
9. **WARNING:** Drilling, sawing, sanding or machining wood products generates wood dust and other substances known to the State of California to cause cancer. Avoid inhaling dust generated from wood products or use a dust mask or other safeguards to avoid inhaling dust generated from wood products.
10. Wood products emit chemicals known to the State of California to cause birth defects or other reproductive harm. (California Health and Safety Code Section 25249.6)
11. Do not operate this machine while tired or under the influence of drugs, alcohol or any medication.
12. Make certain the switch is in the **OFF** position before connecting the machine to the power supply.
13. Make certain the machine is properly grounded.
14. Make all machine adjustments or maintenance with the machine unplugged from the power source.
15. Remove adjusting keys and wrenches. Form a habit of checking to see that keys and adjusting wrenches are removed from the machine before turning it on.
16. Keep safety guards in place at all times when the machine is in use. If removed for maintenance purposes, use extreme caution and replace the guards immediately.
17. Make sure this machine is firmly secured to the floor or bench before use.
18. Check damaged parts. Before further use of the machine, a guard or other part that is damaged should be carefully checked to determine that it will operate properly and perform its intended function. Check for alignment of moving parts, binding of moving parts, breakage of parts, mounting and any other conditions that may affect its operation. A guard or other part that is damaged should be properly repaired or replaced.
19. Provide for adequate space surrounding work area and non-glare, overhead lighting.
20. Keep the floor around the machine clean and free of scrap material, oil and grease.
21. Don't use in dangerous environment. Don't use power tools in damp or wet locations, or expose them to rain. Keep work area well lighted.
22. Keep visitors a safe distance from the work area. **Keep children away.**
23. Make your workshop child proof with padlocks, master switches or by removing starter keys.
24. Give your work undivided attention. Looking around, carrying on a conversation and "horse-play" are careless acts that can result in serious injury.



Warnings

25. Maintain a balanced stance at all times so that you do not fall or lean against the blade or other moving parts. Do not overreach or use excessive force to perform any machine operation.
26. Use the right tool at the correct speed and feed rate. Do not force a tool or attachment to do a job for which it was not designed. The right tool will do the job better and safer.
27. Use recommended accessories; improper accessories may be hazardous.
28. Maintain tools with care. Keep saw blades sharp and clean for the best and safest performance. Follow instructions for lubricating and changing accessories.
29. Disconnect tools before servicing and when changing accessories such as blades.
30. Make sure the work piece is securely attached or clamped to the table.
31. Turn off the machine before cleaning. Use a brush or compressed air to remove chips or debris — do not use your hands.
32. Do not stand on the machine. Serious injury could occur if the machine tips over.
33. Never leave the machine running unattended. Turn the power off and do not leave the machine until it comes to a complete stop.
34. Remove loose items and unnecessary work pieces from the area before starting the machine.

Familiarize yourself with the following safety notices used in this manual:

CAUTION

This means that if precautions are not heeded, it may result in minor injury and/or possible machine damage.

WARNING

This means that if precautions are not heeded, it may result in serious injury or possibly even death.

Table Saw Safety

1. Always use a saw blade guard, splitter and anti-kickback pawls for every through-sawing operation. Through-sawing operations are those in which the blade cuts completely through the workpiece when ripping or crosscutting. Always be sure the blade guard is tightened securely.
2. Always hold work firmly against the miter gauge or rip fence.
3. Always use a push stick (provided with this saw), especially when ripping narrow stock. Refer to the ripping instructions in this Operator's Manual where the push stick is covered in detail. A pattern for making your own push stick is included on page 29.
4. Never perform any operation by freehand, which means using only your hands to support or guide the workpiece. Always use either the fence or the miter gauge to position and guide the work.

Warning: Freehand cutting is the major cause of kickback and finger/hand amputations. Never use the miter gauge and fence simultaneously.

5. Never stand or have any part of your body in line with the path of the saw blade. Keep your hands out of the saw blade path.
6. Never reach behind or over the cutting tool for any reason.
7. Remove the rip fence when crosscutting.
8. Do not use a molding head with this saw.
9. Feed work into the blade against the direction of rotation only.
10. Never use the rip fence as a cut-off gauge when crosscutting.
11. Never attempt to free a stalled saw blade without first turning the saw OFF. Turn power switch OFF immediately to prevent motor damage.
12. Provide adequate support to the rear and the sides of the saw table for long or wide workpieces.
13. Avoid kickbacks (work thrown back towards you) by keeping the blade sharp, the rip fence parallel to the saw blade and by keeping the splitter, anti-kickback pawls and guards in place, aligned and functioning. Do not release work before passing it completely beyond the saw blade. Do not rip work that is twisted, warped or does not have a straight edge to guide it along the fence. Do not attempt to reverse out of a cut with the blade running.
14. Avoid awkward operations and hand positions where a sudden slip could cause your hand to move into the saw blade.
15. Never use solvents to clean plastic parts. Solvents could possibly dissolve or otherwise damage the material. Only a soft damp cloth should be used to clean plastic parts.
16. Mount your table saw on a bench or stand before performing any cutting operations.
17. Never cut metals or materials that may make hazardous dust.
18. Always use in a well-ventilated area. Remove sawdust frequently. Clean out sawdust from the interior of the saw to prevent a potential fire hazard. Attach a vacuum to the dust port for additional sawdust removal.
19. Never leave the saw running unattended. Do not leave the saw until the blade comes to a complete stop.
20. For proper operation follow the instructions in this Operator's Manual.

Note: On machines with no stand or if a stand is not being used, a hole approximately 11 in. square must be cut under the saw to allow sawdust to fall through. Failure to cut this hole will cause sawdust to build up in the motor area, resulting in a fire hazard and potential motor damage.

Specifications

Stock Number	707000
Model Number.....	JBTS-10MJS
Motor	120VAC, 1PH, 60Hz, 15A
Blade Speed - no load (RPM)	4000
Saw Blade Diameter (in.)	10
Arbor Diameter (in.).....	5/8
Blade Tilt (deg.).....	45 left
Rip Capacity (in.).....	25
Maximum Rip Left of Blade (in.).....	11
Maximum Cutting Depth at 90° (in.).....	3-1/8
Maximum Cutting Depth at 45° (in.).....	2-1/2
Dado Capacity (in.)	13/16 x 6
Table Height, with Stand (in.).....	35
Main Table Size (in.)	24 W x 21 D
Table Size with Side and Rear Extension Wings (in.)	30-1/4 W x 21 D
Table Size with Both Wings Fully Extended (in.)	42-3/8 W x 35-3/4 D
Dust Port Diameter (in.)	2-1/2
Gross Weight (lbs.)	105
Net Weight (lbs.)	91

Definitions and Terminology

Arbor: Metal shaft that connects the drive mechanism to the blade.

Bevel Edge Cut: Tilt of the saw arbor and blade between 0° and 45° to perform an angled cutting operation.

Blade Guard: Mechanism mounted over the saw blade to prevent accidental contact with the cutting edge.

Crosscut: Sawing operation in which the miter gauge is used to cut across the grain of the workpiece.

Dado Blade: Blade(s) used for cutting grooves and rabbets.

Dado Cut: Flat bottomed groove in the face of the workpiece made with a dado blade.

Featherboard: Device used to keep a board against the rip fence or table that allows the operator to keep hands away from the saw blade.

Kerf: The resulting cut or gap made by a saw blade.

Kickback: An event in which the workpiece is lifted up and thrown back toward an operator, caused when a work piece binds on the saw blade or between the saw blade and rip fence (or other fixed object). To minimize or prevent injury from kickbacks, see the *Operating Instructions* section.

Miter Gauge: A component that controls the workpiece movement while performing a crosscut of various angles.

Non-Through Cut: A sawing operation that requires the lowering of the splitter and removal of

the blade guard and kick-back pawls, resulting in a cut that does not protrude through the top of the workpiece (includes Dado and rabbet cuts).

The blade guard and kick-back pawls must be re-installed and splitter raised after performing a non-through cut to avoid accidental contact with the saw blade during operation.

Parallel: Position of the rip fence equal in distance at every point to the side face of the saw blade.

Perpendicular: 90° (right angle) intersection or position of the vertical and horizontal planes such as the position of the saw blade (vertical) to the table surface (horizontal).

Push Board/Push Stick: An instrument used to safely push the workpiece through the cutting operation.

Rabbet: A cutting operation that creates an L-shaped channel along the edge of the board.

Rip Cut: A cut made along the grain of the workpiece.

Splitter: Metal plate to which the blade guard is attached that maintains the kerf opening in the workpiece when performing a cutting operation.

Standard Kerf: 1/8" gap made with a standard blade.

Straightedge: A tool used to check that a surface is flat or parallel.

Through Sawing: A sawing operation in which the workpiece thickness is completely sawn through. Proper blade height usually allows a 1/8" of the top of the blade to extend above the wood stock.

Electrical

Grounding Instructions

In the event of a malfunction or breakdown, grounding provides a path of least resistance for electric current to reduce the risk of electric shock. This tool is equipped with an electric cord having an equipment-grounding conductor and a grounding plug.

The plug must be plugged into a matching outlet that is properly installed and grounded in accordance with all local codes and ordinances.

Do not modify the plug provided – if it will not fit the outlet, have the proper outlet installed by a qualified electrician.

Improper connection of the equipment-grounding conductor can result in a risk of electric shock. The conductor with insulation having an outer surface that is green with or without yellow stripes is the equipment-grounding conductor. If repair or replacement of the electric cord or plug is necessary, do not connect the equipment-grounding conductor to a live terminal.

Check with a qualified electrician or service personnel if the grounding instructions are not completely understood, or if in doubt as to whether the tool is properly grounded.

Use only 3-wire extension cords that have 3-prong grounding plugs and 3-pole receptacles that accept the tool's plug.

Repair or replace damaged or worn cord immediately.

115 Volt Operation Only

Referring to Figure A:

As received from the factory, your table saw is ready to run at 115-volt operation. This table saw, when wired for 115 volt, is intended for use on a circuit that has an outlet and a plug that looks like the one illustrated in (A). A temporary adapter, which looks like the adapter shown in (B), may be used to connect this plug to a two-pole receptacle if a properly grounded outlet is not available. The temporary adapter should only be used until a properly grounded outlet can be installed by a qualified electrician. This adapter is not applicable in Canada. The green colored rigid ear, lug, or tab, extending from the adapter, must be connected to a permanent ground such as a properly grounded outlet box.

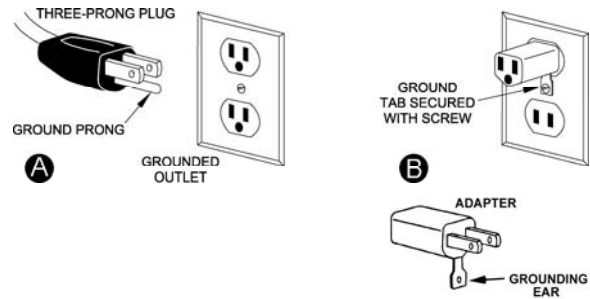


Figure A

Extension Cords

Make sure your extension cord is in good condition. When using an extension cord, be sure to use one heavy enough to carry the current your machine will draw. An undersized cord will cause a drop in the line voltage resulting in power loss and overheating. The table below shows the correct size to use depending on the cord length and nameplate ampere rating. If in doubt, use the next heavier gauge. Remember, the smaller the gauge number, the heavier the cord.

Cord Length	AWG
0 – 25ft	16
25 – 50ft	14

Important: Make certain the receptacle in question is properly grounded. If you are not sure, have a registered electrician check the receptacle.

Features

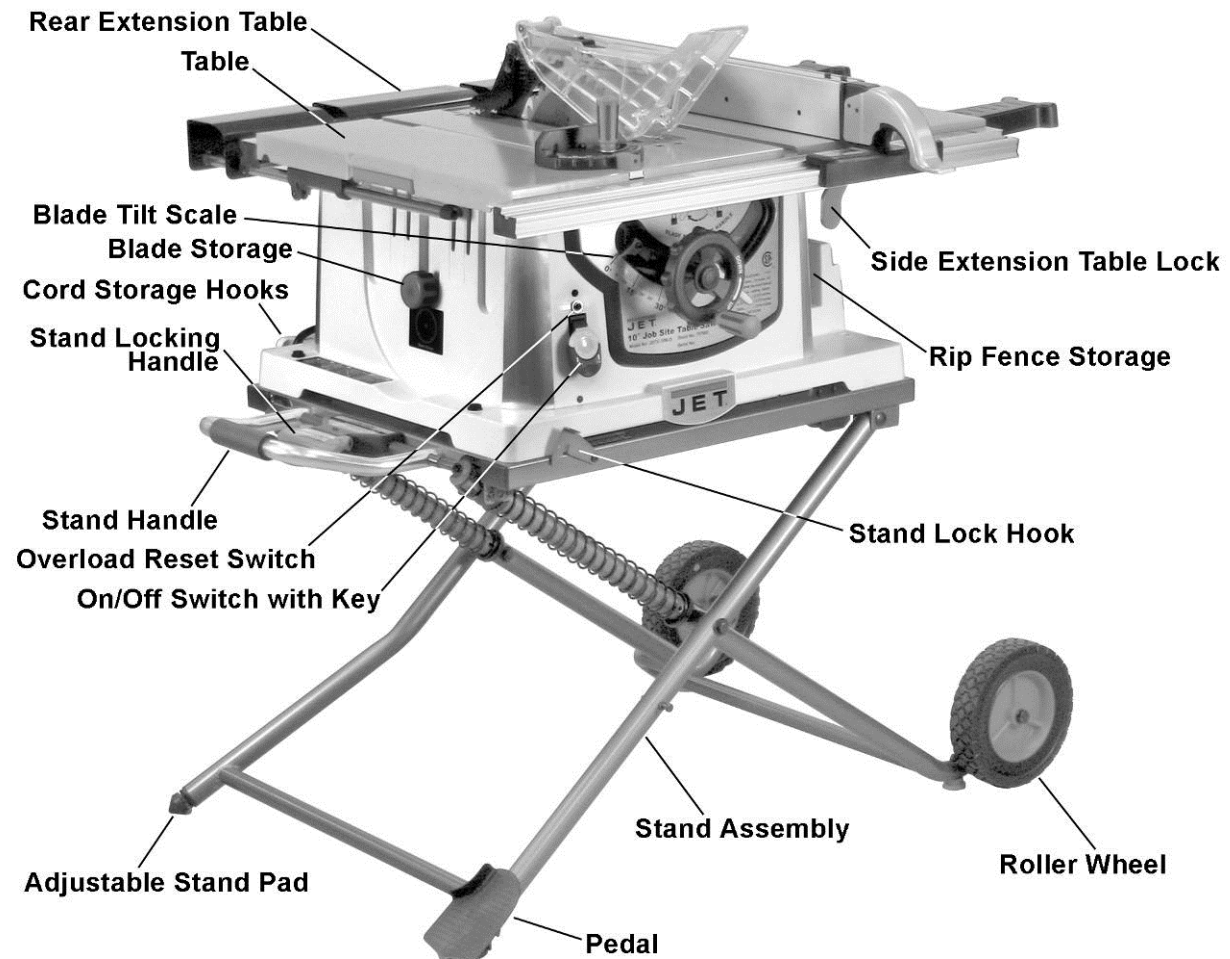
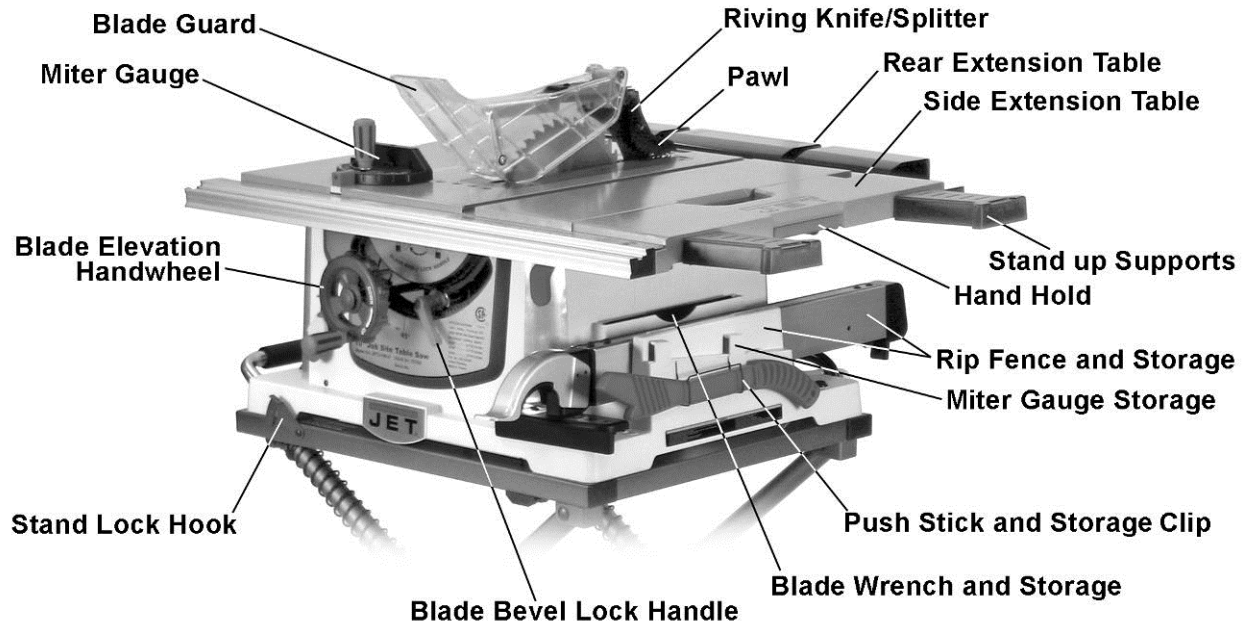


Figure 1 – Features

Shipping Contents

Unpacking

1. Remove the contents from the shipping container.
2. Compare the contents of the *shipping container* and *hardware bags* with the lists found below. Make certain that all items are accounted for before discarding any packing material. Report any shortages or damage to your JET distributor.

Contents of the Shipping Container

(These items shown in Figure 3)

- A Blade Guard (1)
- B Kickback Pawl (1)
- C Riving Knife (1)
- D Table Saw (1)
- E Pedal (1)
- F Miter Gauge (1)
- G Stand Assembly (1)
- H Rear Table Extension (1)
- J Rear Table Extension Tube (2)
- K Push Stick (1)
- L Rip Fence (1)
- M Roller Wheel (2)
- Hardware Bags
 see contents on next page
- Owner's Manual (1)
- Warranty Registration Card

Tools Supplied for Assembly

(These items shown in Figure 2)

- N Blade Wrench
- O 4mm Hex Wrench
- P 5mm Hex Wrench

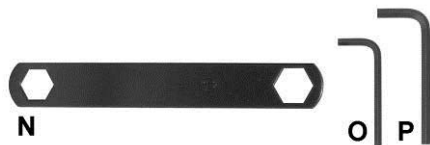


Figure 2 – Supplied Tools

Tools not included

- Adjustable Wrench
- 6mm Hex Wrench
- Crosspoint Screwdriver
- Combination Wrench

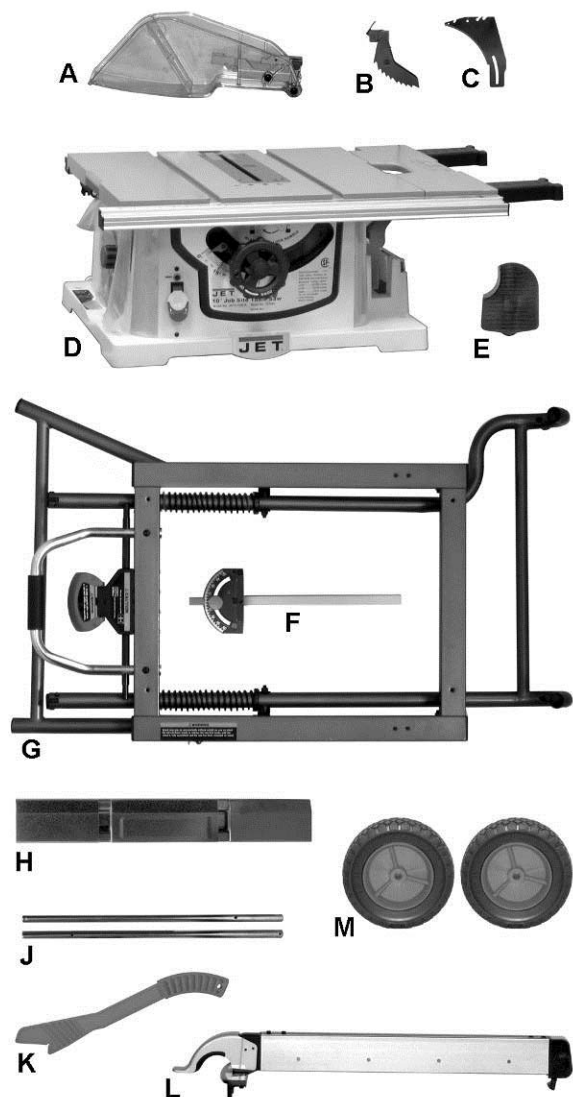


Figure 3 – Contents of Shipping Container

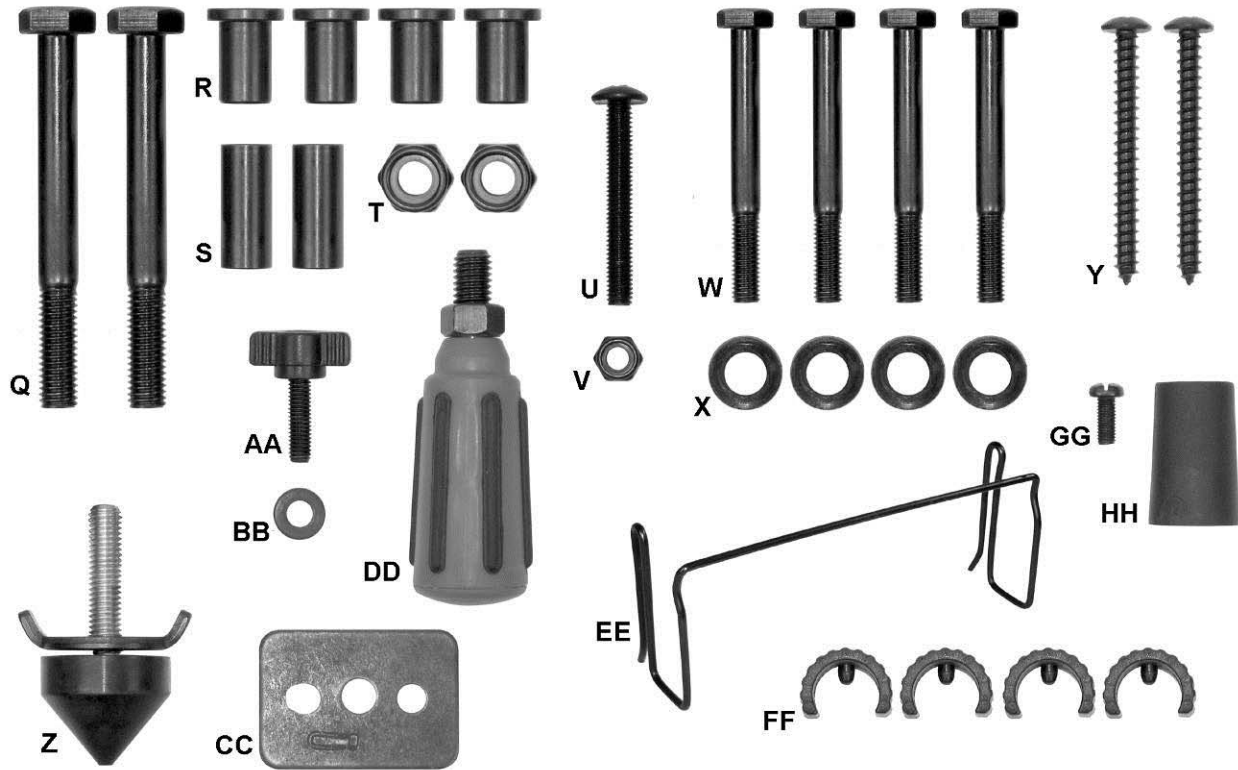


Figure 4 – Hardware

Hardware

The following items are shown in Figure 4.

- | | | | |
|---|-------------------------|----|-------------------------------------|
| Q | Screw (2) | Z | Stand Pad (1) |
| R | Collar (4) | AA | Splitter/Riving Knife Lock Knob (1) |
| S | Shaft Sleeve (2) | BB | Flat Washer (1) |
| T | Nut (2) | CC | Splitter/Riving Knife Plate (1) |
| U | Screw (1) | DD | Handwheel Handle (1) |
| V | Nut (1) | EE | Push Stick Storage Clip (1) |
| W | Screw (4) | FF | Plastic Stop (4) |
| X | Plastic Flat Washer (4) | GG | Screw (1) |
| Y | Screw (2) | HH | Rear Extension Pad (1) |

⚠️WARNING Read and understand all assembly instructions before attempting assembly! Failure to comply may cause serious injury!

Assembly

Note: The letter designators used in the assembly section are the same as those used in the shipping contents and hardware section (page 10-11) for the purpose of simplifying part identification.

Stand

⚠WARNING Stand may pop up unexpectedly without weight of saw on stand. In order to avoid injury, verify that the lock hook (G1, Fig. 7) located at the front of the stand is locked onto the stop screw before mounting the table saw.

Stand Pad and Pedal

Referring to figure 5:

1. Thread the *stand pad* (Z) through the *wing nut* (Z1) to the bottom of the left rear leg. Adjustment is described in *Setting up the Stand* on page 17.
2. Attach the *pedal* (E) to the left front leg using the *screw* (U) and *hex nut* (V). Secure with 10mm socket and crosspoint screwdriver.

Wheel

Referring to Figure 6:

3. Attach *two collars* (R1, R2) to each *roller wheel* (M).
4. Attach one roller wheel assembly to the right front leg using the *bolt* (Q), the *shaft sleeve* (S), and the *hex nut* (T) as shown.

Note: Verify that the side of the wheel that has more ribs is facing toward the inside of the stand.

5. Attach the other roller wheel to the right rear leg using the same manner.
6. Tighten *screw* (Q) and *hex nut* (T) with two 17mm wrenches.

Note: Do not overtighten, because doing so will not allow the wheels to turn.

Attaching Saw to Stand

Referring to Figure 7:

⚠WARNING Do not cut the bands and release the stand hook (G1) until the table saw is properly attached to the stand.

1. Place *table saw* (D) on the top of *stand* (G) aligning the holes in the base with the holes in the stand.

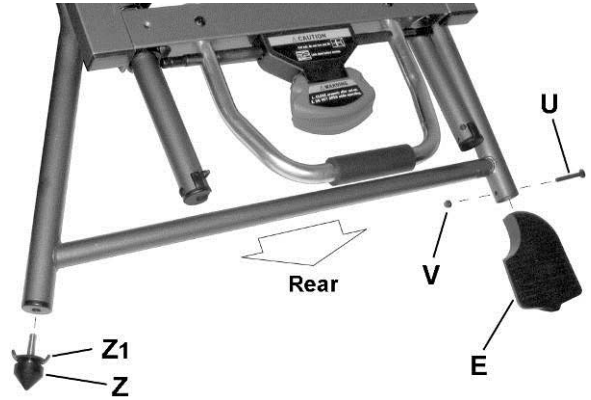


Figure 5

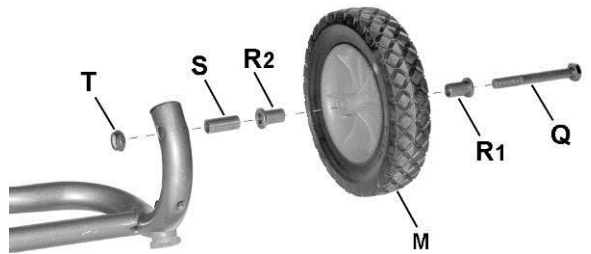


Figure 6

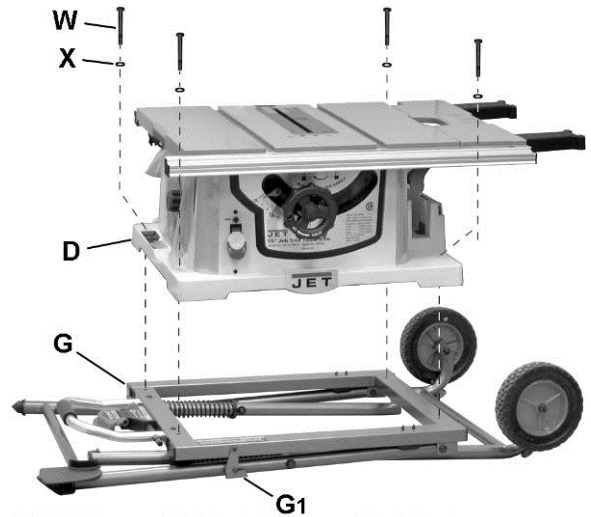


Figure 7

2. Insert four *hex bolts* (W) through the *plastic flat washers* (X) and holes in base and stand.
3. Tighten all four *bolts* (W) with a 13 mm socket, but do not overtighten.

Note: To set up the stand or fold down the stand, see *Setting Up The Stand* and *Folding The Stand* on page 17.

Mounting the Saw to Work Surface

⚠WARNING A hole to allow sawdust to fall through must be provided when the saw is mounted to a work surface (stand not used). Failure to do so will cause sawdust to build up in the motor area, which can result in fire or damage to the motor.

Referring to Figure 8:

If the stand is not used, the saw must be properly secured to a sturdy workbench through the four mounting holes that are located at the base of the saw.

The surface of the table where the saw is to be mounted must have a *hole* (B) that is large enough to facilitate sawdust fall-through and removal.

1. Square the saw on the mounting surface, and mark the location of the four 3/8 in. mounting holes (A).
2. Drill pilot holes in two diagonal corners (marked (A) in the mounting surface).
3. Mark an 11x11 in. square (B), centered between the four mounting holes (A).
4. Cut out and remove the square.
5. This opening will allow sawdust to fall through the saw base.
6. Place the saw on the work surface, and align the mounting holes of the saw with the two holes drilled in step 2.
7. Fasten the saw to the work surface using screws (Y, Fig. 4) provided.

⚠WARNING Do not operate this saw on the floor. Doing so is very dangerous. Failure to comply may cause serious injury!

Rear Table Extension

Referring to Figure 9:

1. Attach the *rubber pad* (HH) to the inside of the *rear table extension* (H). Thread the *screw* (GG) thru the rubber pad with the screwdriver. Tighten the screw (GG).
2. Insert the two *rear table extension tubes* (J) into the *rear table extension* (H). Follow arrows J1, J2.
Note: The *tubes* (J) must be inserted into the back of the extension with the bent end last so that the bar will hold the extension in place. (J4).
3. Snap *plastic stops* (FF1) over the extension tubes (J). This will 'lock' the *tube* (J) into the *extension* (H). Make sure the pin in the stops fit

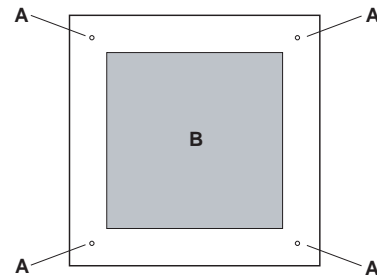


Figure 8

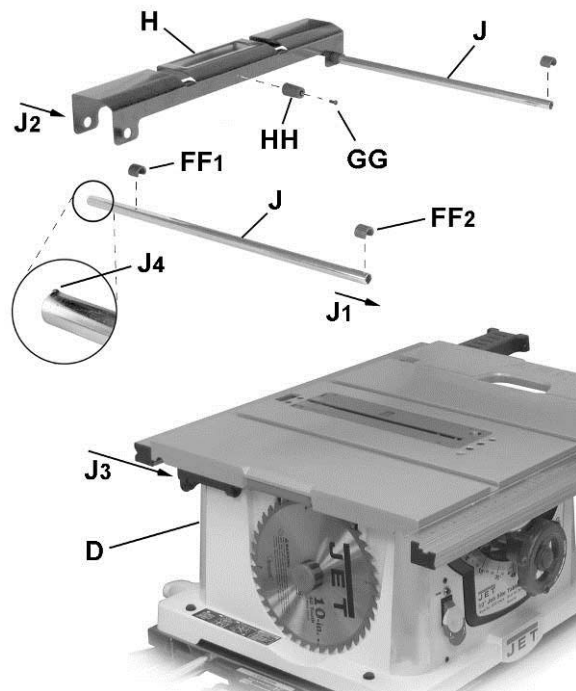


Figure 9

4. Following arrows J1, J3, insert the rear table extension into the two extension tube brackets (J3) under the table.
5. Snap two black *plastic stops* (FF2) over the *end* of the *rear table extension tubes* (J). Make sure the pin in the stops fit into the matching holes in the extension tubes.

Handwheel Handle

Thread the handwheel handle (DD, Fig. 10) into the handwheel hole (A, Fig. 10), and then tighten the nut against the handwheel with a 10 mm wrench.

Installing the Blade

⚠WARNING To avoid injury from an accidental start, make sure the switch is in the OFF position and the plug is disconnected from the power source outlet.

Referring to Figure 11:

1. Remove the *table insert* (A).
2. Place the blade onto the arbor with the blade teeth pointing forward to the front of the saw.
3. Make sure the blade fits flush against the inner flange.
4. Clean the *outer blade flange* (H) and install it onto the arbor and against the blade.
5. Thread the arbor nut onto the arbor, making sure the flat side of the nut is against the blade, then hand-tighten.
6. Pull the arbor *locking lever* (G) toward the front of the machine while spinning the blade by hand until the latch locks into place and the blade will no longer turn.
7. Place the *wrench* (E) on the arbor nut and turn clockwise (toward the rear of the saw table).
8. Lower the blade to the down position. Replace the *table insert* (A) and the blade guard.

Important: Do not operate this saw until the blade and blade guard splitter are aligned and in working order.

Removing the Blade

⚠WARNING To avoid injury from an accidental start, make sure the switch is in the OFF position and the plug is disconnected from the power source outlet.

Referring To Figure 11:

1. Remove the *table insert* (A) and raise the blade to the maximum height by turning the blade elevation handwheel clockwise.
2. Remove blade guard.
3. Adjust the blade to the 90° vertical position by unlocking the blade tilting lock knob and turning the bevel tilting handwheel counterclockwise, and then lock into position.
4. Pull the *arbor locking lever* (G) toward the front

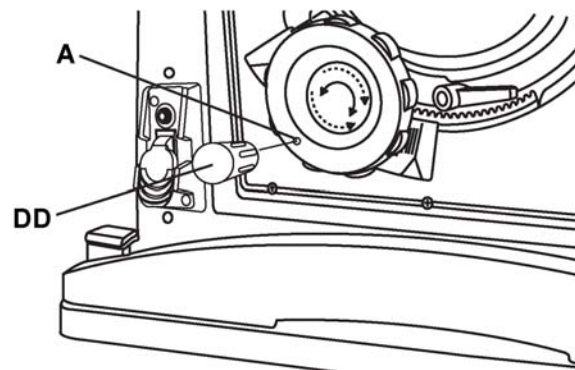


Figure 10

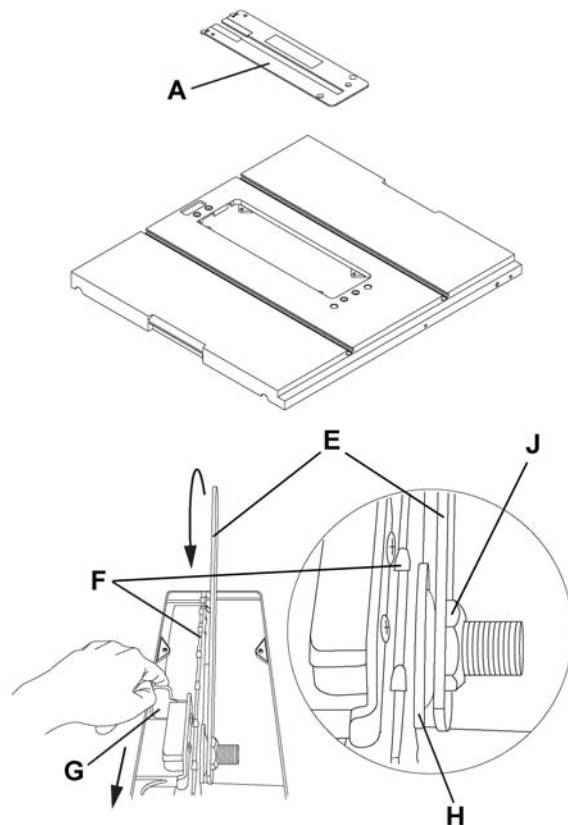


Figure 11

- of the tool while spinning the blade by hand until the latch locks into place and the blade will no longer turn.
5. Place the *blade wrench* (E) on the arbor nut (J).
6. Loosen and remove the arbor nut and the flange by pulling the wrench towards the front of the machine.
7. Then remove the *blade* (F). Clean but do not remove the inner blade *flange* before reassembling the blade.

Blade Guard Assembly

⚠WARNING To avoid injury from an accidental start, make sure the switch is in the OFF position and the plug is disconnected from the power source outlet.

- When installing the blade guard, cover the blade teeth with a piece of folded cardboard to protect yourself from possible injury.

Splitter (riving knife) installation (Figure 12)

1. Remove the table insert.
2. Raise the blade arbor to the maximum height and set the bevel angle to 0°.
3. Install the *splitter* (C) onto the *splitter bracket*, fitting the curved slot on the splitter over the bracket pins.
4. Install the *splitter plate* (CC), followed by the *flat washer* (BB) and *lock knob* (AA). Tighten the lock knob, leaving enough slack to manually adjust the *splitter* (C).
5. Raise the *splitter* (C) as high as it will go, then tighten the *lock knob* (AA) to secure the splitter in this position.

Kickback pawl installation (Figure 12a)

6. Place the *lock lever* (B1) on the *kickback pawl assembly* (B) in the *unlock* position.
7. Install the kickback pawl (B) onto the splitter.

The flat sides of the mounting pin on the kickback pawls should pass through the *mounting slot* (C1) on the *splitter* (C).

Note: Make sure the “anti-kickback pawls do not get caught between the insert and the guard, but rest on top of the insert.

8. Press firmly down on the kickback pawl to ensure that it is properly seated on the splitter, then place the *lock lever* (B1) in the *lock* position.

Blade guard installation (Figure 12a)

9. Slide the *lock lever* (A1) on the *blade guard* (A) up and hold..
10. Place the *blade guard* (A) on the *splitter* (C), meshing the *pin* (A2) on the blade guard with the *slot* (C2) on the splitter.
11. Push the blade guard assembly down firmly on the splitter; then release the lock lever (A1).
12. Lift up on the *blade guard assembly* (A) to confirm that it is firmly secured to the *splitter* (C).

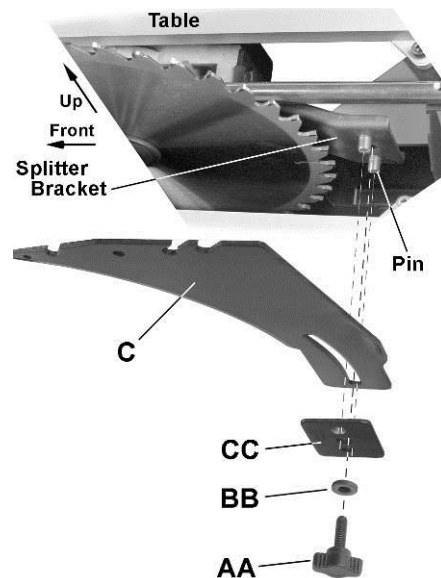


Figure 12

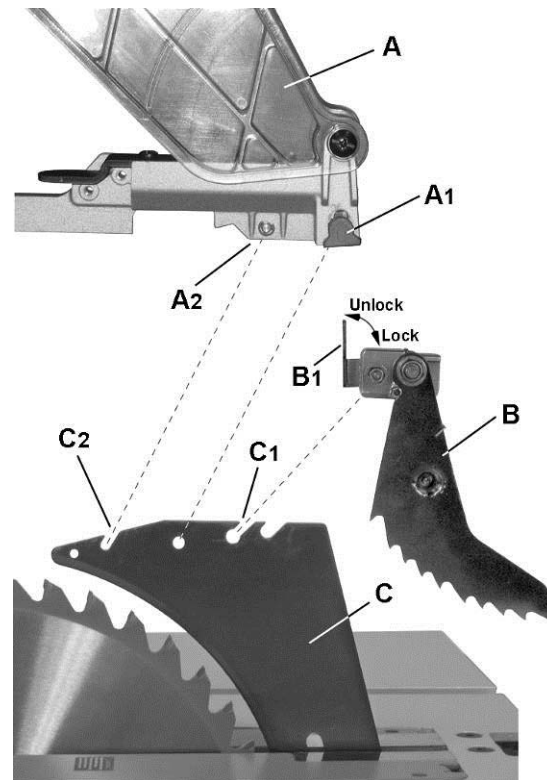


Figure 12a

Installing the Push-stick Storage

Attach the metal *push-stick storage bracket* (Figure 13) into the provided slot (D, Fig. 14) on the right side of the body shell. The bracket will snap into place.



Figure 13

Storage

Rip fence and miter gauge

Storage brackets for the rip fence (B, Fig. 14) and miter gauge (C, Fig. 14) are located on the right side of the saw housing.

Note: Adjust the miter gauge to 45°-60° before putting away in storage.

Blade wrench

Insert the handle of the *blade wrench* (A, Fig. 14) into the slot located to the right side of the saw housing.

Blade

1. Loosen and remove the *knob* (A, Fig. 15) on the left side of the saw housing.
2. Place extra *blades* (B, Fig. 15) onto the bushing. Replace the knob and tighten.

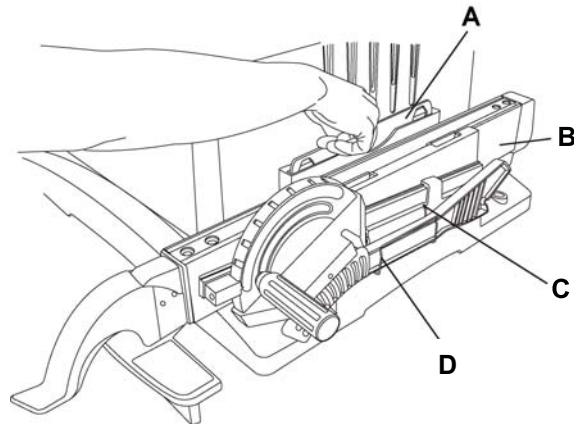


Figure 14

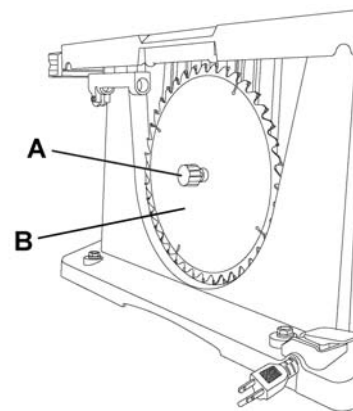


Figure 15

Adjustments

Setting up the Stand

Referring to Figure 16:

1. Release the *stand lock hook* (D) by sliding it away from the stop screw.
2. Raise the *handle cover* (A) first, then pull the *locking handle* (B) out and hold.
3. Step on the *pedal* (C) and pull the stand upward until it is fully unfolded.
4. Release the *locking handle* (B) to lock the stand into position. Lower the *cover* (A).

Note: Make sure the stand is locked securely.

5. Place the stand on a level surface and adjust the left *stand pad* (Z, Fig. 5) so that all legs are contacting the floor and are at a similar angle to the floor.

Note: Make sure the table saw is locked securely in position. Adjust the stand pad to make sure the table saw is totally stable.

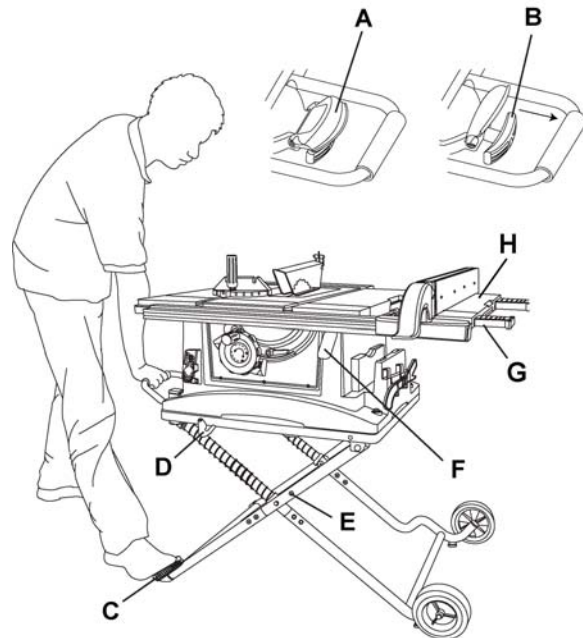


Figure 16

Folding the Stand

1. Raise the *handle cover* (A, Fig. 16) first and pull the *locking handle* (B, Fig. 16) out.
2. Push slowly downward on the stand (A, B, Fig. 17).
3. Release the *locking handle* (B, Fig. 16).
4. Rotate the *stand hook* (D, Fig. 16) onto the stop screw to secure the stand legs into the collapsed position.
5. Secure the side extension table (H, Fig. 16) by pushing the *cam locking lever* (F, Fig. 16) downward.

Note: For convenient storage, there are two *stand up supports* (G, Fig. 16) on the right side of the table saw for supporting the table saw when not in use (C, Fig. 17).

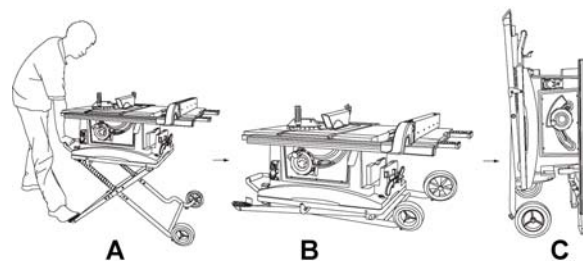


Figure 17

Adjusting the Table Insert

The *table insert* (A, Fig. 18) is already installed on your table saw. Verify that the table insert is flush with the table top surface on all four corners of the insert.

⚠ WARNING To avoid serious injury, the table insert must be level with the table.

If the table insert is not flush with the table, adjust the four *hex screws* (B, Fig. 18) with a 4 mm hex wrench until it is flush with the table.

To raise the insert, turn the *hex screws* (B) counter-

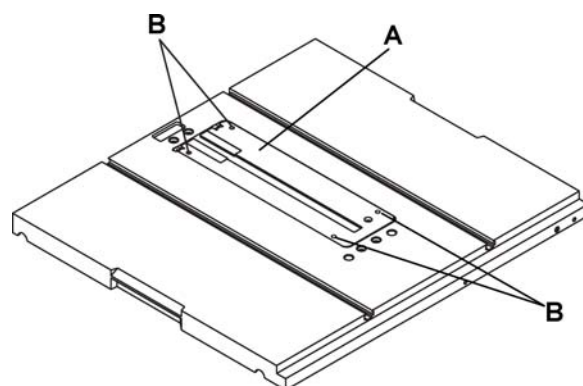


Figure 18

clockwise. To lower the insert, turn the *hex screws* clockwise.

Aligning the Blade Guard Splitter

⚠WARNING To avoid injury from an accidental start, make sure the switch is in the OFF position and the plug is disconnected.

- When installing the blade guard, cover the blade teeth with a piece of folded cardboard to protect yourself from possible injury.
- Never operate this tool without the safety guard in place for all through sawing operations.

Important: The splitter must always be correctly aligned with the blade so the cut workpiece will pass on either side without binding or twisting.

The splitter/riving knife is adjusted at the factory and should not require adjustment. In the event that adjustment becomes necessary, follow the procedure below.

Referring to Figure 19:

1. Remove the table insert and raise the blade to the maximum height by turning the blade elevation handwheel clockwise.
2. Remove the blade guard and pawl assembly (see Blade Guard Assembly on page 15)
3. Adjust the blade to the 90° vertical position by unlocking the blade tilting lock knob and turning the bevel tilting handwheel counterclockwise, and then lock into position.
4. To see if the *blade* (A) and *splitter* (B) are correctly aligned, lay a straightedge along the side of the blade and against the splitter (making sure the square is between the teeth of the blade).

The blade and splitter should be perfectly in-line. If the blade and splitter are not correctly aligned:

5. Loosen two *screws* (C) just enough to permit adjustment of the splitter *mounting bracket* (D).
6. Adjust the *splitter* (B) until it is aligned with the saw *blade* (A), using the straightedge as reference.
7. Tighten screws (C) and recheck alignment.
8. Replace table insert, pawl assembly and blade guard assembly.

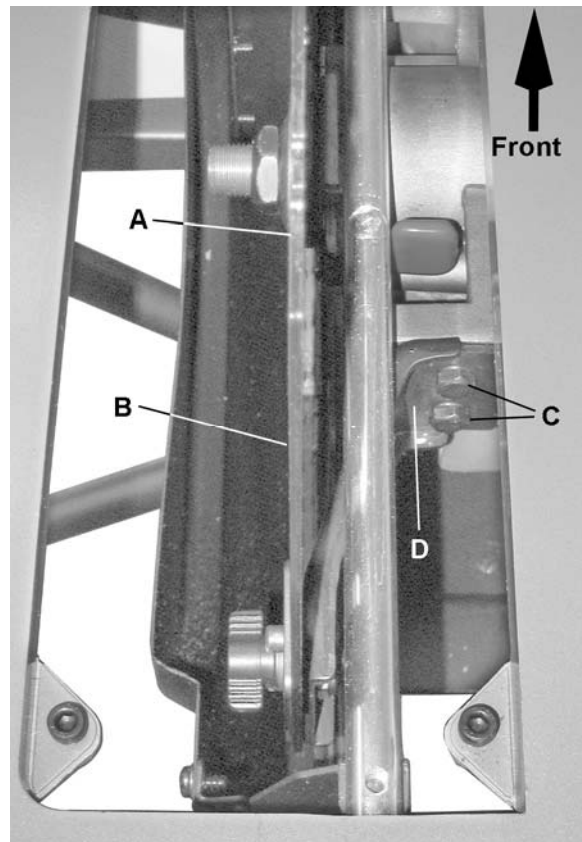


Figure 19

90° and 45° Positive Stop Adjustment

Adjusting the Positive Stop

Your saw has positive stops that will quickly position the saw blade at 90° and 45° to the table. Make adjustments only if necessary.

90° Stop

1. Disconnect the saw from the power source.
2. Raise the blade to the maximum elevation.
3. Loosen the blade bevel lock handle. Adjust the *blade* (A) to the maximum vertical position and retighten the bevel lock handle.
4. Place a *combination square* (C) on the *table* (B) and against the *blade* (A) to determine if the blade is 90° to the table.
5. If the blade is not 90° to the table, loosen or tighten the *hex screw* (G) with a 5 mm hex wrench until 90° is achieved.
6. Loosen the bevel lock handle and reset the blade at the maximum vertical position, then tighten the bevel lock handle.
7. Check again to see if the blade is 90° to the table. If not, repeat step 5.
8. Check the bevel angle scale. If the pointer does not read 0°, loosen the screw that secures the pointer, adjust to read 0°, retighten the pointer screw.

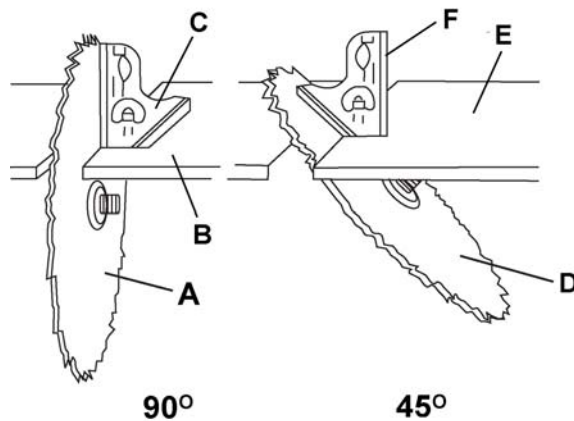


Figure 20

45° Stop

1. Disconnect the saw from the power source.
2. Raise the blade to the maximum elevation.
3. Loosen the blade bevel lock handle. Adjust the *blade* (D) to the maximum bevel position (45°) and retighten the bevel lock handle.
4. Place a *combination square* (F) on the *table* (E) and against the *blade* (D) to determine if the blade is 45° to the table.
5. If the blade is not 45° to the table, loosen or tighten the *hex screw* (H) with a 5 mm hex wrench until 45° is achieved.
6. Loosen the bevel lock handle and reset the blade at the maximum bevel position (45°), then tighten the bevel lock handle.
7. Check again to see if the blade is 45° to the table. If not, repeat step 5.

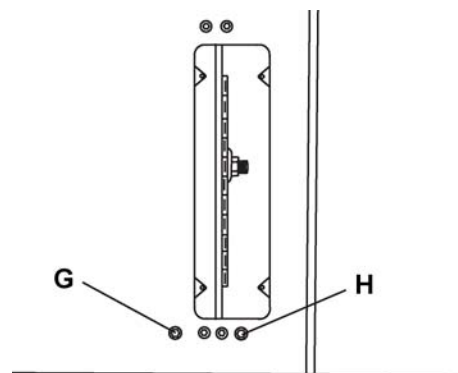


Figure 21

Blade Tilt Pointer

When the blade is positioned at 90°, loosen the holding screw, adjust the blade tilt pointer to read 0° on the scale, then retighten the screw.

Blade Parallel to the Miter Slot

⚠WARNING To avoid injury from an accidental start, make sure the switch is in the OFF position and the plug is disconnected from the power source outlet.

This adjustment was made at the factory, but it should be rechecked and adjusted if necessary.

This adjustment must be correct to assure accurate cuts and to prevent the possibility of kickback, which can result in serious injury.

Referring to Figure 22:

1. Remove the yellow switch key and unplug the saw.
2. Remove the blade guard.
3. Raise the blade to the maximum height and set the bevel angle at 0°
4. Select and mark with a felt tip marker, one blade tooth with a "right set" angle and position this tooth at the front of the saw approximately 1/2 in. above the table (D) .

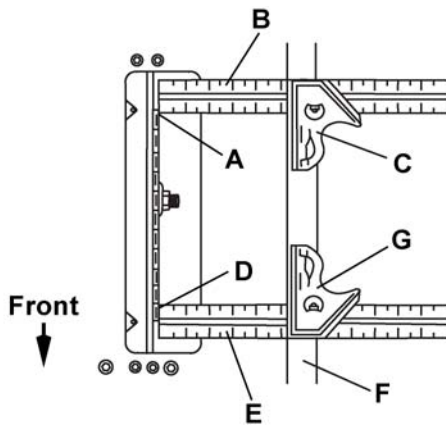


Figure 22

5. Place the combination square base (G) into the right side miter gauge slot (F) flush against the inside of the miter gauge slot.
6. Adjust the ruler (E) so it touches the front marked tooth (D) and lock ruler so it holds its position in the square assembly.
7. Next rotate the blade, moving the marked tooth (D) to its new position (A) at the rear of the saw.
8. Carefully move the combination square from position (G) to (C).
9. If the ruler touches the marked tooth at the front and rear position (E at D, B at A), no adjustment is needed. If not, perform the adjustment procedure described in the next section.

Additional Blade Adjustments

Refer to Figure 23.

If the front and rear measurements are not the same:

1. Remove the combination square (C) and loosen the four adjusting screws (A) on the top of the table about a half turn.
2. Cover the blade with a folded piece of cardboard to protect your hands. Move the blade and motor mounting rod carefully to the left or right as much as needed to align the blade correctly.
3. Tighten the four screws (A) and remeasure, as described in steps 4 to 9 in the previous section.

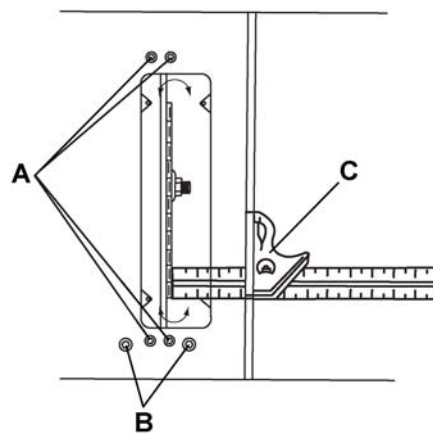


Figure 23

4. If sufficient adjustment cannot be made by the four adjusting screws (A), then also loosen the two adjusting screws (B) and repeat all previous steps. Loosen these screws (B) only if necessary as they are set for accurate 90° and 45° settings.
5. Recheck the blade clearance making sure that the blade does not hit the table insert or other parts when at the 90° and 45° settings.
6. Retighten all four adjusting screws (A) and reset the 90° and 45° setting as described in the 90° and 45° Positive Stop Adjustment section (page 19).

Adjusting the Miter Gauge

Referring to Figure 24:

1. Loosen the *lock handle* (B) to allow the miter body (C) to rotate freely. Position the miter body at 90° so the positive detent secures its position. Tighten the *lock handle* (B) to hold the miter body in position.
2. If the *pointer* (A) requires adjustment, loosen the screw under the pointer with a screwdriver. Adjust the pointer to 90° on the scale, then firmly tighten the adjustment screw.

To change angles on the miter gauge:

3. Loosen the *lock handle* (B) and rotate the miter body to the desired angle as indicated by the scale. Secure in position by tightening the lock handle.

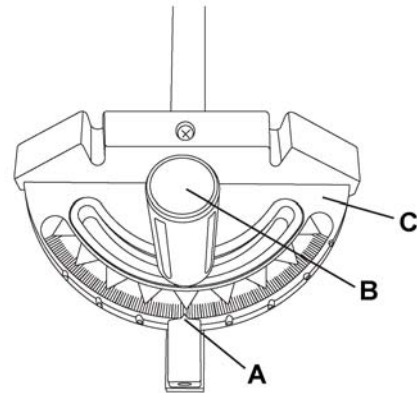


Figure 24

Rip Fence Adjustment

Referring to Figure 25:

1. For adjustments, position the fence to the right of the blade, parallel with the miter gauge slot.
2. Place the *rear clamp* (A) of the fence on the back rail of the table, and lower the front end over the *front rail* (E). Push the handle (F) down to lock.
3. To change the position of the fence, lift up on the handle to unlock, and slide the fence to the desired position, then push the handle down to lock.
4. To check the rip fence adjustment, place the fence along one edge of the miter gauge groove, and lock the handle. It should be parallel to the miter groove to provide accurate cuts.

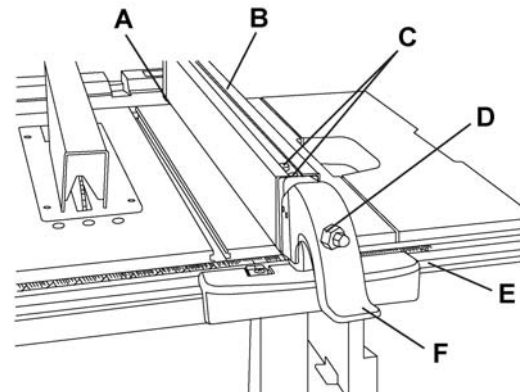


Figure 25

If an adjustment is needed to make it parallel:

1. Loosen the two *hex bolts* (C) on the top of the rip fence, and lift up on the *handle* (F).
2. Adjust the *fence* (B) so it is parallel to the miter gauge slot and lock the *handle* (F) into position.
3. Make sure the *fence* (B) is parallel to the slot and tighten the two *hex bolts* (C) securely.
4. Unlock the *fence handle* (F) and slide the fence left and right, then reposition it against the miter gauge slot again and lock into position to double check its alignment.

Failure to properly align the fence can cause “kickback” and serious injury could occur.

If the fence is loose when the handle is in the locked position:

1. Move the handle upward to the unlocked position.
2. Turn the *adjusting screw* (D) clockwise until the rear clamp is snug.
3. *Do not* turn the adjusting screw more than 1/4 turn at a time.
4. Over-tightening the screw will cause the rip fence to come out of alignment.

Rip Fence Indicator

The rip fence indicator points to the scale on the front of the table saw. The measurement shown by the indicator will provide the user with accuracy up to 1/16 of an inch. The measurement shown is the distance from the blade to the side of the fence closest to the blade.

To check the accuracy:

1. Measure the actual distance to the side of the rip fence.

If there is a difference between the measurement and the indicator, adjust the indicator as follows:

2. Loosen the *indicator screw* (A, Fig. 26).
3. Slide the indicator to the correct measurement position on the scale, then retighten the screw.

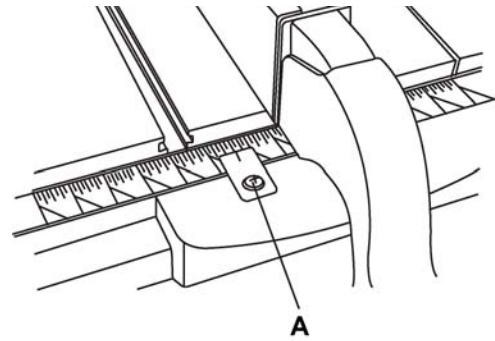


Figure 26

Table Extension Scale Pointer

The table *extension scale pointer* (A, Fig. 27) should be at 13 inches on the scale when the extension is in the closed position. If adjustment is required, loosen the *holding screw* (B, Fig. 27), position the pointer over the 13 inch marker and retighten the screw.

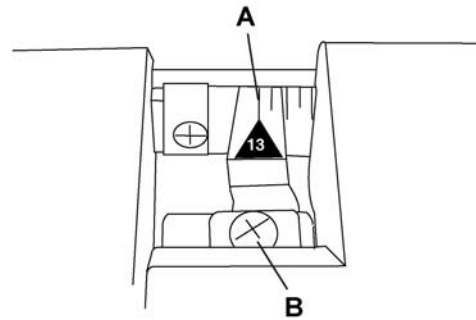


Figure 27

Rear Table Extension Adjustment

The *rear table extension* (A, Fig. 28) should be positioned as close as possible to the rear of the table when ripping short material.

The rear table extension should be fully extended when ripping longer materials that require extra support.

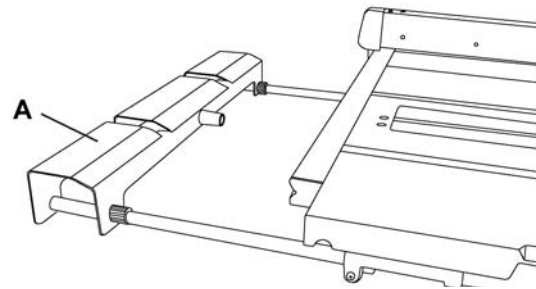


Figure 28

Adjusting the Locking Lever

If the extension table moves when it is open and locked in place, the *cam locking lever* (A, Fig. 29) may be loose and require adjustment.

To adjust the locking lever tension:

1. Hold the stud (B) stationary, and loosen the *nut* (C) with a 10 mm wrench.
2. Rotate the rod using a wrench on one of the flats (D). Do not overtension!
3. Re-tighten the nut (C).

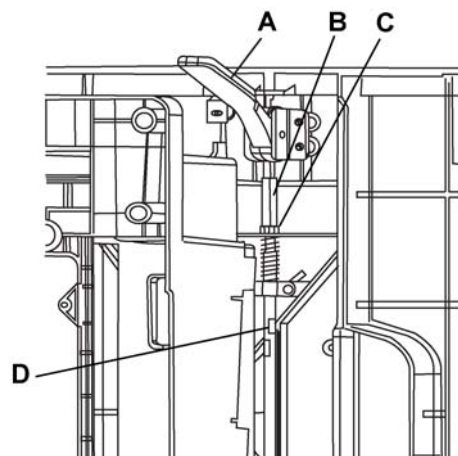


Figure 29

Operation

Basic Saw Operations

Raising the Blade

To raise or lower the blade, turn the *blade elevation handwheel* (A, Fig. 30) to the desired blade height, and then tighten the *bevel lock handle* (B, Fig. 30) to maintain the desired blade angle.

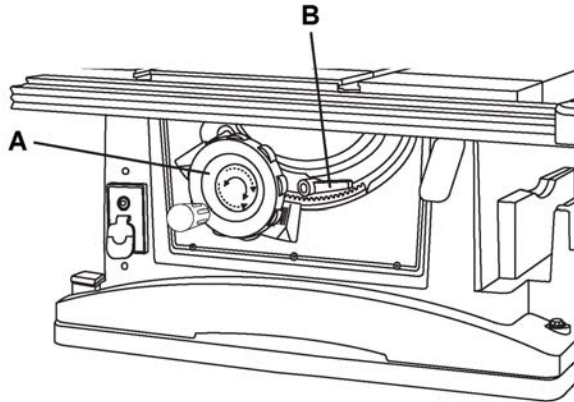


Figure 30

Tilting the Blade

Two methods are available for tilting the saw blade.

Rapid blade tilting:

Loosen the bevel lock handle (B, Fig. 30), move the handwheel (A, Fig. 30) to the desired angle, then tighten the bevel lock handle.

Fine adjustment blade tilting:

Loosen the bevel lock handle (B, Fig. 30), push in the handwheel (A, Fig. 30) and at the same time turn the handwheel (A, Fig. 30) to tilt the saw blade. When the saw blade is at the desired angle, tighten the bevel lock handle (B, Fig. 30).

On/Off Switch

The ON / OFF switch has a removable safety key. With the key removed from the switch, unauthorized and hazardous use by children and others is minimized.

Referring to Figure 31:

1. To turn the saw ON, insert the safety switch key (A) into the slot in the switch (B). Move the switch upward to the ON position.
2. To turn the saw OFF, move the switch downward.
3. To lock the switch in the OFF position, grasp the end (or yellow part) of the safety switch key (A), and pull it out.
4. With the removable safety key removed, the switch will not operate.

5. If the removable safety key is removed while the saw is running, it can be turned OFF but cannot be restarted without inserting the removable safety key (A).

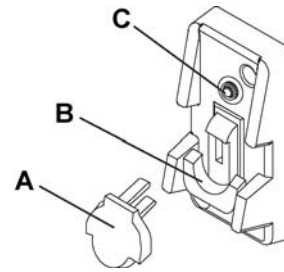


Figure 31

Overload Protection

This saw has an *overload reset button* (C, Fig. 31) that resets the motor after it shuts off due to overloading or low voltage. If the motor stops during operation, turn the ON / OFF switch to the OFF position. Wait about five minutes for the motor to cool, then push the *reset button* (C, Fig. 31) and turn the switch to the ON position.

Dust Chute

To prevent fire hazard, clean and remove sawdust from under the saw frequently.

To prevent sawdust buildup inside the saw housing, attach a *vacuum hose* (A, Fig. 32) to the *dust chute* (B, Fig. 32) at the rear of the table saw. DO NOT operate the saw with the hose in place unless the vacuum is turned on.

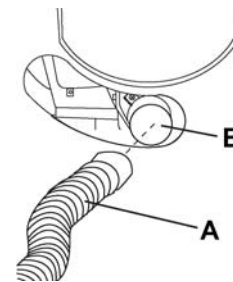


Figure 32

Using the Table Extension

Use the scale on the front rail for rip cuts up to 13 in. For rip cuts greater than 13 in., set and lock the fence on the 13 in. mark. Unlock the extension table, and slide the table with the fence to the desired dimension using the scale on the rear rail.

Referring to Figure 33:

1. Release the cam locking lever (A).
2. Slide the table extension to the desired measurement and then tighten the cam locking lever.

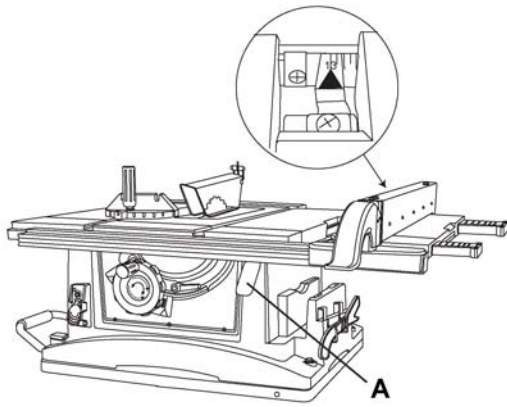


Figure 33

Cutting Operations

There are two basic types of cuts: ripping and crosscutting. Ripping is cutting along the length and the grain of the workpiece. Crosscutting is cutting either across the width or across the grain of the workpiece. (It is not safe to rip or crosscut by freehand). Ripping requires the use of the rip fence, and crosscutting requires the miter gauge. **NEVER USE THE TWO AT THE SAME TIME.**

WARNING Before using the saw each time, check the following:

- The blade is tightened to the arbor.
- The bevel angle lock knob is tightened.
- If ripping, make sure the fence is locked into position and is parallel to the miter gauge slot.
- The blade guard is in place and working properly.
- Safety glasses are worn.
- The failure to adhere to these common safety rules, and those printed in the front of this manual, can greatly increase the likelihood of injury.

Ripping

WARNING To prevent serious injury:

- Never use a miter gauge when ripping.
- Never use more than one rip fence during a single cut.
- Do not allow familiarity or frequent use of your table saw to cause careless mistakes. Remember that even a careless fraction of a second is enough to cause a severe injury.
- Keep both hands away from the blade and clear from the path of the blade.
- The workpiece must have a straight edge against the fence and must not be warped, twisted, or bowed when ripping.

1. Remove the miter gauge and store it in the “storage” compartment in the base of the saw.
2. Secure the rip fence to the table.
3. Raise the blade so it is about 1/8 in. higher than the top of the workpiece.
4. Place the workpiece flat on the table and against the fence. Keep the workpiece away from the blade.
5. Turn the saw ON and wait for the blade to come to full speed.
6. Slowly feed the workpiece into the blade by pushing forward only on the workpiece section (A, Fig. 34) that will pass between the blade and the fence.

WARNING AVOID KICKBACK by pushing forward on the section of the workpiece that passes between the blade and the fence. Never perform any freehand operations.

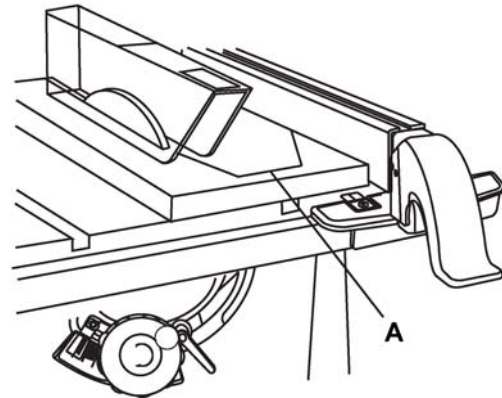


Figure 34

Referring to Figure 35:

7. Keep your thumbs off the table top. When both of your thumbs touch the front edge of the table (C), finish the cut with a push stick. To make an additional push stick, use the pattern on page 29.
8. The push stick (D) should always be used for any ripping operation.
9. Continue pushing the workpiece with the push stick (D) until it passes through the blade guard and clears the rear of the table.
10. Never pull the piece back when the blade is turning. Turn the switch OFF. When the blade completely stops, you can then remove the workpiece.

WARNING Never attempt to pull the workpiece backwards during a cutting operation. This will cause kickback and serious injury to the user can occur. When the blade completely

stops, raise the anti-kickback pawls (A) on each side of the splitter and slide the workpiece out.

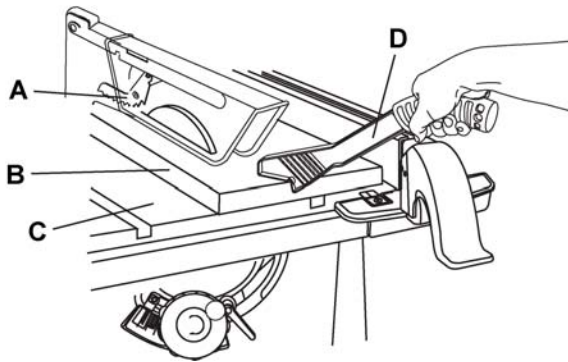


Figure 35

Bevel Ripping

This cut is the same as ripping except the blade bevel angle is set to an angle other than 0°.

Ripping Small Pieces

To avoid injury from blade contact, never make cuts narrower than 1/2 in. wide.

1. It is unsafe to rip small pieces. Instead, rip a larger piece to obtain the size of the desired piece.
2. When a small width is to be ripped and your hand cannot safely pass between the blade and the rip fence, use one or more push sticks to move the workpiece. Always use a push stick during ripping operations.

Crosscutting

▲WARNING Do not allow familiarity or frequent use of your table saw to cause careless mistakes. Remember that even a careless fraction of a second is enough to cause a severe injury.

▲WARNING Keep both hands away from the blade and the path of the blade.

▲WARNING Never attempt to pull the workpiece backwards during a cutting operation. This will cause kickback and serious injury to the user can occur.

Referring to Figure 36:

1. Remove the rip fence and place the miter gauge in the miter gauge slot on the table.
2. Adjust the blade height so that it is 1/8 in. higher than the top of the workpiece.
3. Hold the workpiece firmly against the miter gauge with the blade path in line with the desired cut location.

4. Start the saw and wait for the blade (C) to come up to full speed. Never stand directly in line of the saw blade path, always stand to the side of the blade that you are cutting on.
5. Keep the workpiece (B) against the face of the miter gauge (A) and flat against the table. Then slowly push the workpiece through the blade.
6. Do not try to pull the workpiece back with the blade turning. Turn the switch OFF, and carefully slide the workpiece out when the blade has completely stopped.

▲WARNING Always position the larger surface of the work-piece on the table when crosscutting and/or bevel crosscutting to avoid instability.

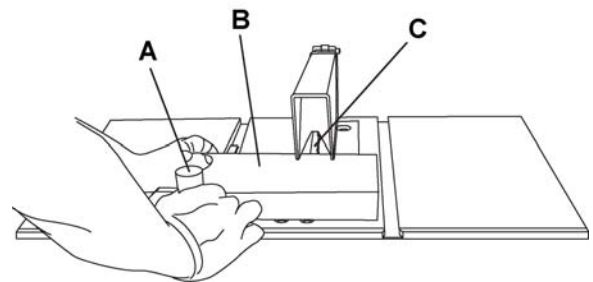


Figure 36

Using Wood Facing on the Miter Gauge

Slots are provided in the miter gauge for attaching an *auxiliary facing* (A) to make it easier to cut very long or short pieces. Select a suitable piece of straight wood, drill two holes through it and attach it to the miter gauge with screws. Make sure the facing does not interfere with the proper operation of the sawblade guard. When cutting long workpieces, you can make a simple outfeed support by clamping a piece of plywood to a sawhorse.

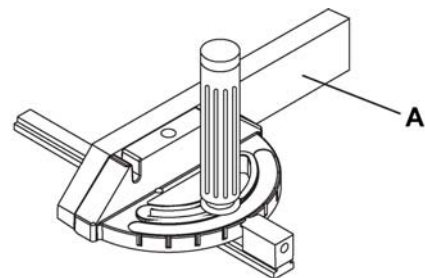


Figure 37

Bevel Crosscutting 0°~45° Blade Level & 90° Miter Angle

This cutting operation is the same as crosscutting except the blade is at a bevel angle other than 0°.

▲WARNING Always work to the right side of the blade during this type of cut. The miter gauge must be in the right side slot because the bevel angle may cause the blade guard to

interfere with the cut if used on the left side groove.

Referring to Figure 38:

1. Adjust the *blade* (A) to the desired angle, and tighten the blade bevel lock knob.
2. Tighten the *miter lock handle* (C) at 90°.
3. Hold *workpiece* (B) firmly against the face of the miter gauge throughout the cutting operation.

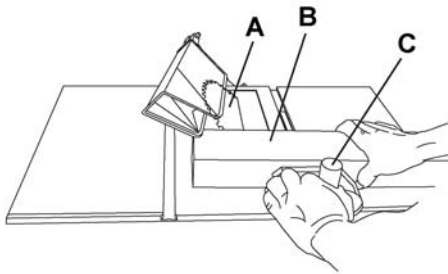


Figure 38

Compound Miter Crosscutting 0°~45° Blade Bevel & 0°~45° Miter Angle

This sawing operation combines a miter angle with a bevel angle.

⚠WARNING Always work to the right side of the blade during this type of cut. The miter gauge must be in the right side groove because the bevel angle may cause the blade guard to interfere with the cut if used on the left side groove.

1. Set the *miter gauge* (C) to the desired angle.
2. Place the miter gauge in the right side groove of the table.
3. Set the *blade* (B) bevel to the desired bevel angle and tighten the blade bevel lock knob.
4. Hold *workpiece* (A) firmly against the face of the miter gauge throughout the cutting operation.

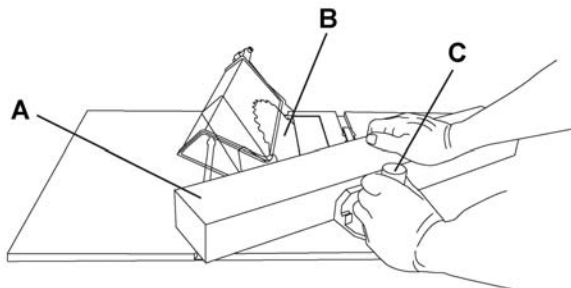


Figure 39

Mitering 0°~45° Miter Angle

This sawing operation is the same as crosscutting except the miter gauge is locked at an angle other than 90°.

1. Set the blade (B) to 0° bevel angle and tighten the blade bevel lock knob.
2. Set the miter gauge (A) at the desired miter angle and lock in position by tightening the miter gauge locking handle.
3. Hold the workpiece (C) firmly against the face of the miter gauge throughout the cutting operation.

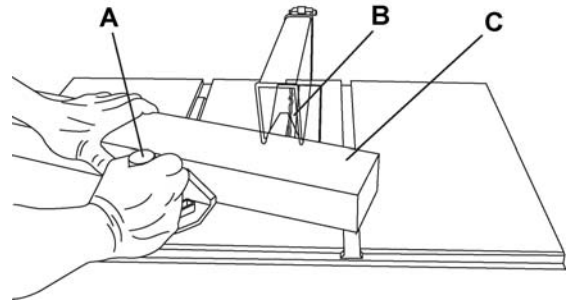


Figure 40

Using the Wood Facing on the Rip Fence

When performing some special cutting operations, you can add a wood facing to either side of the rip fence (C, Fig. 41).

1. Use a smooth straight 3/4 in. thick wood board (A, Fig. 41) that is as long as the rip fence.
2. Attach the wood facing to the fence with wood screws (B, Fig. 41) (not included) through the holes in the fence. A wood fence should be used when ripping material such as thin paneling to prevent the material from catching between the bottom of the fence and the table.

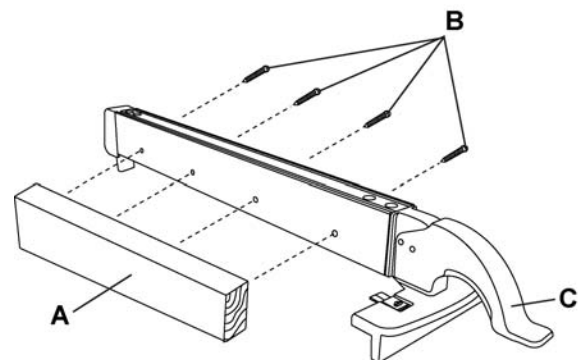


Figure 41

Dado Cuts

The maximum dado cut width is 13/16 in.

⚠WARNING Only Stackable dado blades can be used on this saw.

⚠WARNING DO NOT use Adjustable or Wobble type dados.

Referring to Figure 42:

1. Remove the saw blade and the blade guard for dado cuts ONLY. Reinstall and realign blade guard for all through- sawing operations. Install a dado not exceeding 6 in. diameter and 13/16 in. width.
2. Install a dado table insert making sure that the rear of the insert is flush with the table.
Note: A dado table insert is not included but can be ordered (SN 707001) by calling the number on the cover of this manual.
3. Instructions for operating the dado is packed with the separately purchased dado set.
4. The arbor (B) on this saw restricts the maximum width of the cut to 13/16 in.
5. It is not necessary to install the *outside flange (A)* before threading on the *arbor nut (C)* for the maximum 13/16 in. dado cuts. Make sure that the *arbor nut (C)* is tight, and that at least one thread of the arbor sticks out past the nut.
6. Use only the correct number of round outside blades and inside chippers as shown in the dado set's instruction manual. Blade/chippers must not exceed 13/16 in. total in width.
7. Check the saw to ensure that the dado will not strike the housing, insert, or motor when in operation.

⚠WARNING For your own safety, always replace the blade, blade guard assembly, and table insert when you are finished with the dado operation.

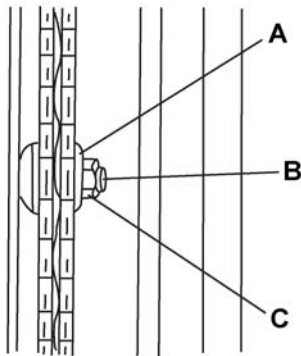


Figure 42

Maintenance

General Maintenance

⚠WARNING For your own safety, turn the switch OFF and remove the switch key. Remove the plug from the power source outlet before maintaining or lubricating your saw.

1. Clean out all sawdust that has accumulated inside the saw cabinet and the motor.
2. Polish the saw table with an automotive wax to keep it clean and to make it easier to slide the workpiece.
3. Clean cutting blades with pitch and gum remover.
4. A worn, cut, or damaged power cord should be replaced immediately.

⚠WARNING All electrical or mechanical repairs should be attempted only by a trained repair technician. Contact customer service for assistance. Use only identical replacement parts. Any other parts may create a hazard.

5. Use liquid dishwashing detergent and water to clean all plastic parts.
Note: Certain cleaning chemicals can damage plastic parts.
6. Avoid use of cleaning chemicals or solvents, ammonia and household detergents containing ammonia.

Blade Raising and Tilting Mechanism

After every five hours of operation, the blade raising mechanism and tilting mechanism should be checked for looseness, binding, or any other abnormalities.

Referring Figure 43:

1. With the saw disconnected from the power source, turn the saw upside down and pull up and push down on the motor unit.
2. Observe any movement of the motor mounting mechanism. Looseness or play in the blade raising screw rod (A) should be limited to 1/8" or less.
3. If excessive looseness is observed in any other parts of the blade raising mechanism or tilting mechanism, take the complete unit to a Service Center.

Place a small amount of dry lubricant on the bevel gear (B). The screw rod (A) must be kept clean and free of sawdust, gum, pitch, and other contaminants for smooth operations.

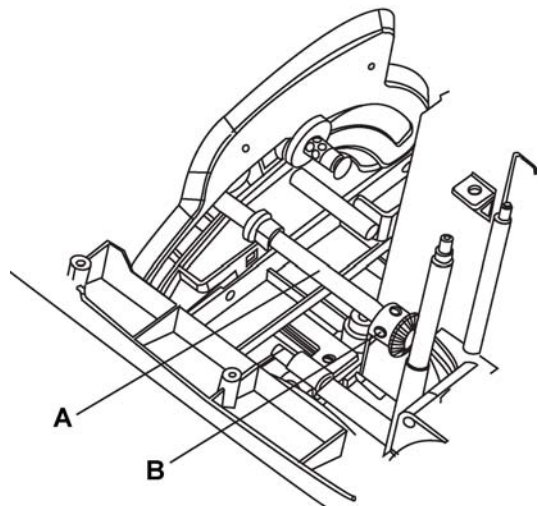


Figure 43

If excessive looseness is observed in any part of the blade raising mechanism or tilting mechanism, take the complete unit to a Service Center.

Lubrication

All motor bearings are permanently lubricated at the factory and require no additional lubrication.

On all mechanical parts of your table saw where a pivot or threaded rod is present, lubricate using graphite or silicone. These dry lubricants will not hold sawdust as would oil or grease.

Replacing the Carbon Brushes

⚠WARNING Always disconnect the plug from the power source before inspecting the brushes.

The carbon brushes included with the unit will last approximately 50 hours of running time, or 10,000 ON/OFF cycles. Replace both carbon brushes when either has less than 1/4 in. length of carbon remaining, or if the spring or wire is damaged or burned.

1. Remove the blade guard, blade, rip fence, miter gauge and stand assembly from the table saw.
2. Place cardboard or an old blanket on the floor to protect the saw table surface.
3. Place the saw upside down on the protective material.
4. Tilt the blade elevation/tilting handwheel (A, Fig. 44) to the 45° position.

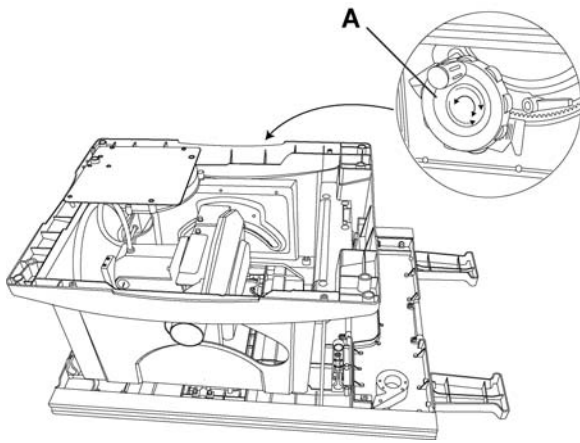


Figure 44

5. Referring to Figure 45:
6. Remove the black plastic cap (B) from the side of the motor (C).
7. Carefully remove the spring-loaded cap, and then pull out the brush and replace.
8. Replace the other side.
9. The ears on the metal end of the assembly go in the same hole the carbon part fits into. Do not overtighten the plastic cap.
10. Carefully set the saw in an upright position on a clean level surface.
11. Replace the blade guard, blade, rip fence, miter gauge and stand assembly to the table saw.

Note: To reinstall the same brushes, first make sure the brushes go back in the way they came out. This will avoid a break-in period that reduces motor performance and increases wear.

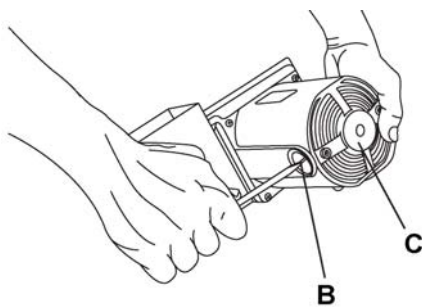


Figure 45

Lubrication

All motor bearings are permanently lubricated at the factory and require no additional lubrication.

On all mechanical parts of your table saw where a pivot or threaded rod is present, lubricate using graphite or silicone. These dry lubricants will not hold sawdust as would oil or grease.

Push Stick Construction

Use solid wood or good quality plywood to construct a push stick using the template below. The push stick must be thinner than the width of the material being cut.

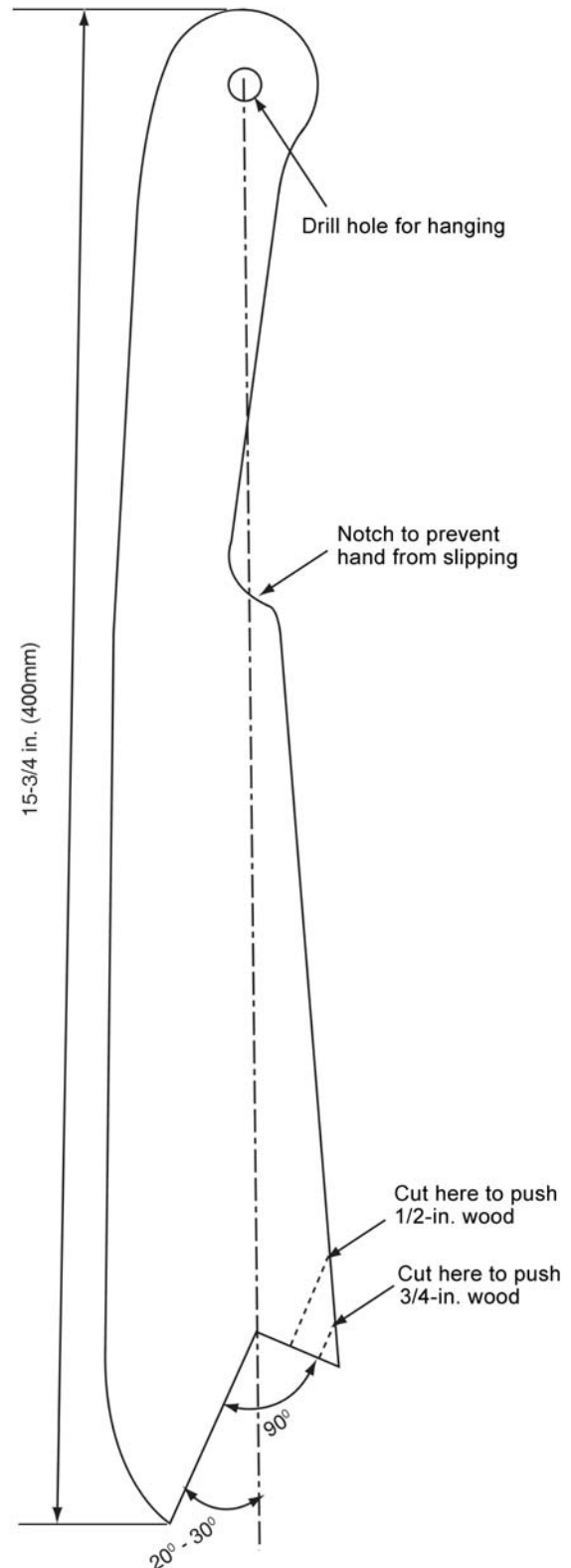


Figure 46

Troubleshooting

Trouble	Probable Cause	Remedy
Saw will not start.	<ol style="list-style-type: none"> 1. Saw is not plugged in. 2. Fuse blown or circuit breaker tripped. 3. Cord is damaged. 4. Debris in on/off switch 	<ol style="list-style-type: none"> 1. Plug in saw. 2. Replace fuse or reset circuit breaker. 3. Replace power cord. 4. Remove switch from saw and separate in half. Clean any debris accumulated within.
Does not make accurate 45° and 90° rip cuts.	<ol style="list-style-type: none"> 1. Positive stop not adjusted correctly. 2. Tilt angle pointer not set accurately. 	<ol style="list-style-type: none"> 1. Check blade with square and adjust positive stop. 2. Check blade with square and adjust to zero.
Material pinched blade when ripping.	<ol style="list-style-type: none"> 1. Rip fence not aligned with blade. 2. Warped wood, edge against fence is not straight. 	<ol style="list-style-type: none"> 1. Check and adjust rip fence. 2. Select another piece of wood.
Material binds on splitter.	<ol style="list-style-type: none"> 1. Splitter not aligned correctly with blade. 	<ol style="list-style-type: none"> 1. Check and align splitter with blade.
Saw makes unsatisfactory cuts.	<ol style="list-style-type: none"> 1. Dull blade. 2. Blade mounted backwards. 3. Gum or pitch on blade. 4. Incorrect blade for work being done. 5. Gum or pitch on blade causing erratic feed. 	<ol style="list-style-type: none"> 1. Replace blade. 2. Turn the blade around. 3. Remove blade and clean with turpentine and coarse steel wool. 4. Change the blade. 5. Clean or change blade.
Material kicked back from blade.	<ol style="list-style-type: none"> 1. Rip fence out of adjustment. 2. Splitter not aligned with blade. 3. Feeding stock without rip fence. 4. Splitter not in place. 5. Dull blade. 6. The operator letting go of material before it is past saw blade. 7. Miter angle lock knob is not tight. 	<ol style="list-style-type: none"> 1. Align rip fence with miter gauge slot. 2. Align splitter with blade. 3. Install and use rip fence. 4. Install and use splitter. (with guard) 5. Replace blade. 6. Push material all the way past saw blade before releasing work. 7. Tighten knob.
Blade does not raise or tilt freely.	<ol style="list-style-type: none"> 1. Sawdust and dirt in elevation/tilting mechanisms. 	<ol style="list-style-type: none"> 1. Brush or blow out loose dust and dirt.
Blade does not come up to speed. Reset trips too easily.	<ol style="list-style-type: none"> 1. Extension cord too light or too long. 2. Low house voltage. 	<ol style="list-style-type: none"> 1. Replace with adequate size cord. 2. Contact your electric company.
Machine vibrates excessively.	<ol style="list-style-type: none"> 1. Saw not mounted securely to workbench. 2. Bench on uneven floor. 3. Damaged saw blade. 	<ol style="list-style-type: none"> 1. Tighten all mounting hardware. 2. Reposition on flat level surface. 3. Replace blade.
Does not make accurate 45° and 90° crosscuts.	<ol style="list-style-type: none"> 1. Miter gauge out of adjustment. 	<ol style="list-style-type: none"> 1. Adjust miter gauge.
Anti-kickback pawls catch on the table insert opening.	<ol style="list-style-type: none"> 1. Splitter/riving knife not set in full raised position. 	<ol style="list-style-type: none"> 1. Set splitter/riving knife to full raised position using the blade elevation handwheel.

Parts

Ordering Replacement Parts

Replacement parts are listed on the following pages. To order parts or reach our service department, call 1-800-274-6848 Monday through Friday, 8:00 a.m. to 5:00 p.m. CST. Having the Model Number and Serial Number of your machine available when you call will allow us to serve you quickly and accurately.

JBTS-10MJS Table Saw – Parts List

Note: Parts without part numbers are for reference only and cannot be purchased individually.

Index No.	Part No.	Description	Size	Qty
1	JBTS10MJS-1	Bushing		1
2	JBTS10MJS-2	Cable Clamp		1
3	JBTS10MJS-3	Slide Plate		2
4		Cushion Block		4
5	JBTS10MJS-5	Cord Clamp		1
6	JBTS10MJS-6	Bracket		1
7	JBTS10MJS-7	Spacer		1
8	JBTS10MJS-8	Bracket		1
9	JBTS10MJS-9	Dust Housing Cover		1
10	JBTS10MJS-10	Strap		3
11	JBTS10MJS-11	Washer		2
12	JBTS10MJS-12	Push Stick Holder		1
13	JBTS10MJS-13	Wrench		1
14	JBTS10MJS-14	Compression Spring		1
15		Compression Spring		1
16		Pin		1
17		Screw		1
18	JBTS10MJS-18	Warning Label		1
19	JBTS10MJS-19	Bevel Gear		1
20	JBTS10MJS-20	Bushing		3
21	JBTS10MJS-21	Strap		1
22	JBTS10MJS-22	Strap		4
23	JBTS10MJS-23	Collar		1
24	JBTS10MJS-24	Collar		1
25	JBTS10MJS-25	Arbor Nut		1
26	JBTS10MJS-26	Arbor Collar		1
27	JBTS10MJS-27	Stop		4
28	JBTS10MJS-28	Slide Base, Left		1
29	JBTS10MJS-29	Foam Strip		2
30	JBTS10MJS-30	Bevel Gear		1
31	TS-152705	Hex Wrench	M4	1
32	TS-152706	Hex Wrench	M5	1
33	TS-1550031	Flat Washer	M5	4
34	TS-1550041	Flat Washer	M6	3
35	TS-1550061	Flat Washer	M8	4
36	TS-2360121	Flat Washer	M12	1
37		Flat Washer	Ø6x18x1.5	1
38	JBTS10MJS-38	Flat Washer	Ø8.2x18x2	2
39	JBTS10MJS-39	Flat Washer	Ø6x30x2	2
40	JBTS10MJS-40	Flat Washer	3/16x3/4x1/16	4
41	JBTS10MJS-41	Pan Head Tapping Screw	M5-16x12	1
42	JMS10SCMS-33	Flat Washer	1/4x1/2x3/32	2
43	JBTS10MJS-43	Label: Reset		1
44	JBTS10MJS-44	Flat Washer	3/8x3/4x5/64	2
45		Flat Washer	1/4	1
46	TS-2361061	Lock Washer	M6	1

JBTS-10MJS Table Saw

Index No.	Part No.	Description	Size	Qty
47	JMS10SCMS-36	External Tooth Lock Washer	M5	1
48		Spring Pin	Ø4x10	2
49	JBTS10MJS-49	Hex Head Bolt	M6x70	1
50		Socket Head Cap Screw	M6x30	1
51	TS-1523011	Socket Set Screw	M6x6	6
52		Socket Set Screw	M6x10	1
53	TS-1514041	Flat Head Socket Screw	M6x25	4
54	JBTS10MJS-54	Soc Hd Cap Screw with Lock Washer	M6x16	2
55		Soc Hd Cap Screw with Lock and Flat Washers	M5x16	2
56	TS-1503041	Socket Head Cap Screw	M6x16	4
57	TS-1503041	Socket Head Cap Screw	M6x16	4
58	JMS10CMS-149	Pan Head Screw with Lock Washer	M5x10	1
59	JBTS10MJS-59	Pan Head Screw w/ Ext. Tooth Lock Washer	M5x12	1
60		Flat Head Screw	M4x8	2
61	JBTS10MJS-61	Pan Head Tapping Screw	M4-18x8	2
62		Truss Head Screw	M5x8	2
63	JMS12SCMS-81	Round Washer Head Screw	M5x8	3
64	JBTS10MJS-64	Round Washer Head Screw	M6x12	6
65	JBTS10MJS-65	Truss Head Tapping Screw	M4-16x12	2
66	JBTS10MJS-66	Pan Head Tapping Screw	M4-18x20	7
67		Truss Head Tapping Screw	M5-12x16	2
68		Truss Head Tapping Screw	M5-12x12	2
69	JBTS10MJS-69	Screw	M5x25	4
70	JBTS10MJS-70	Pan Head Tapping Screw	M3-24x6	2
71	JBTS10MJS-71	Pan Head Tapping Screw	M4-18x8	8
72	JBTS10MJS-72	Pan Head Tapping Screw	M4-16x16	2
73	JBTS10MJS-73	Pan Washer Head Screw	M5x10	5
74		Pan Head Tapping Screw	M4-18x10	4
75	JBTS10MJS-75	Round Washer Head Screw	M5x10	9
76	JBTS10MJS-76	Round Washer Head Screw	M5x12	8
77	JBTS10MJS-77	Round Washer Head Screw	M5x16	4
78	JBTS10MJS-78	Strain Relief		2
79	TS-1533042	Pan Head Screw	M5x12	3
80	TS-1533062	Pan Head Screw	M5x20	1
81	JWBS10OS-110	Carriage Bolt	M6x16	2
82	PWBS14-323	Carriage Bolt	M8x16	1
83	JBTS10MJS-83	Carriage Bolt	M6x60	1
84	JBTS10MJS-84	Slide Base Assembly, Left		1
85	TS-1540041	Hex Nut	M6	4
86		Hex Nut	M10	1
87	TS-1540061	Hex Nut	M8	1
88	TS-1540041	Hex Nut	M6	2
89	JBTS10MJS-89	Crown Nut	M6	1
90		Nylon Insert Lock Nut	M4	1
91	TS-1541011	Nylon Insert Lock Nut	M5	3
92	TS-1541021	Nylon Insert Lock Nut	M6	5
93	TS-1541031	Nylon Insert Lock Nut	M8	4
94	JBTS10MJS-94	Serrated Hex Flange Nut	M6	8
95		Strain Relief		1
96	JBTS10MJS-96	Terminal		1
97	JBTS10MJS-97	Lead Wire Assembly		1
98	JMS12SCMS-111	Locking Cable Tie		1
99	JBTS10MJS-99	Circuit Breaker Switch		1
100		Steel Ball	5mm	1
101	JBTS10MJS-101	Rear Extension Rubber Pad		1
102	JBTS10MJS-102	Dust Chute		1
103	JBTS10MJS-103	Lead Screw		1

JBTS-10MJS Table Saw

Index No.	Part No.	Description	Size	Qty
104	JBTS10MJS-104	Rear Outfeed Extension Wing		1
105	JBTS10MJS-105	End Cap		1
106	JBTS10MJS-106	Front Rail Mount		1
107	JBTS10MJS-107	Plate		2
108	JBTS10MJS-108	End Cap		1
109	JBTS10MJS-109	Shaft		1
110	JBTS10MJS-110	Pin		1
111	JBTS10MJS-111	Handle		1
112	JBTS10MJS-112	Anchor Plate		2
113	JBTS10MJS-113	Stud		1
114	JBTS10MJS-114	Rod		1
115	JBTS10MJS-115	Protective Strip		1
116	JBTS10MJS-116	Rear Rail End Cover		2
117	JBTS10MJS-117	Bushing		2
118	JBTS10MJS-118	Pin	3x14	2
119	TS-1502011	Socket Head Cap Screw	M5x8	4
120	TS-1503071	Socket Head Cap Screw	M6x30	2
121		Locking Rod		1
122		Stop Bracket		1
123		Support		1
124		Pin		1
125		Pin		2
126		Bracket		2
127		Screw		1
128		Fence Body		1
129		Plate		1
130		Pointer		1
131		Sleeve		1
132		Lock Knob		1
133		Truss Head Round Neck Screw	M5x16	2
134		Cushion		1
135	JMS10SCMS-192	Blade	10"x5/8"x40T	1
136	JBTS10MJS-136	Locking Handle		1
137		Compression Spring		1
138	JBTS10MJS-138	Spacer		4
139	JBTS10MJS-139	Switch Safety Key		1
140	JBTS10MJS-140	Bracket		1
141		Flat Washer	M4	5
142		Miter Gauge Body		1
143		Flat Washer	Ø6x18x0.5	1
144	JBTS10MJS-144	Front Rail		1
145	JBTS10MJS-145	Pan Head Screw with Lock Washer	M5x16	4
146	JBTS10MJS-146	Knob Seat		1
147	JBTS10MJS-147	Scale Housing		1
148	JBTS10MJS-148	Rear Rail Mount		1
149	JBTS10MJS-149	Pointer		1
150	JBTS10MJS-150	Scale Assembly		1
151	JBTS10MJS-151	Pointer		1
152	JBTS10MJS-152	Warning Label		2
153	JBTS10MJS-153	Label: Blade Storage		1
154	JBTS10MJS-154	Scale Hold Down		1
155		Clamp		1
156	JBTS10MJS-156	Rear Rail		1
157		Support Assembly		1
158		Pin		1
159		PVC Tubing		1
160		Fence Handle		1

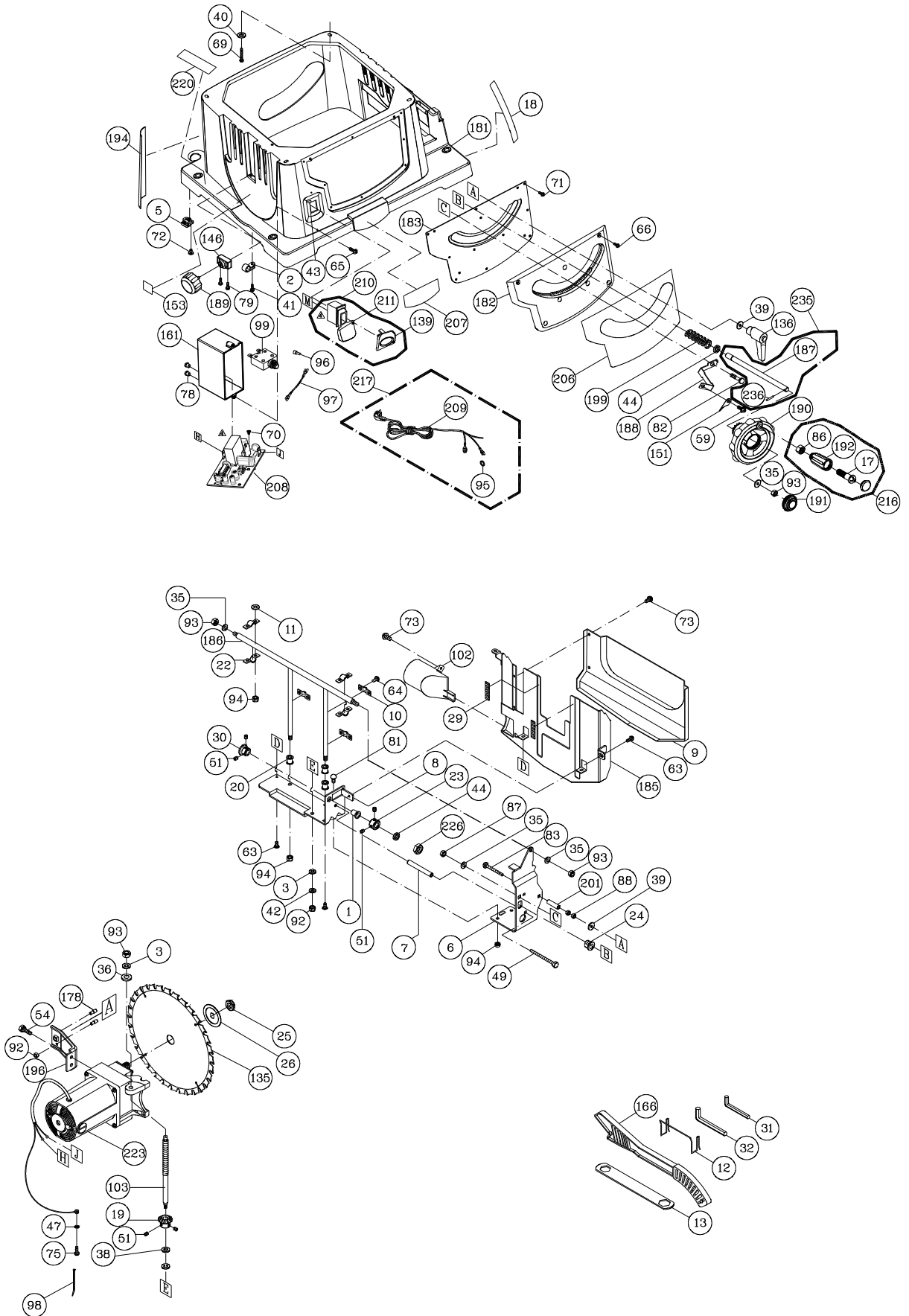
JBTS-10MJS Table Saw

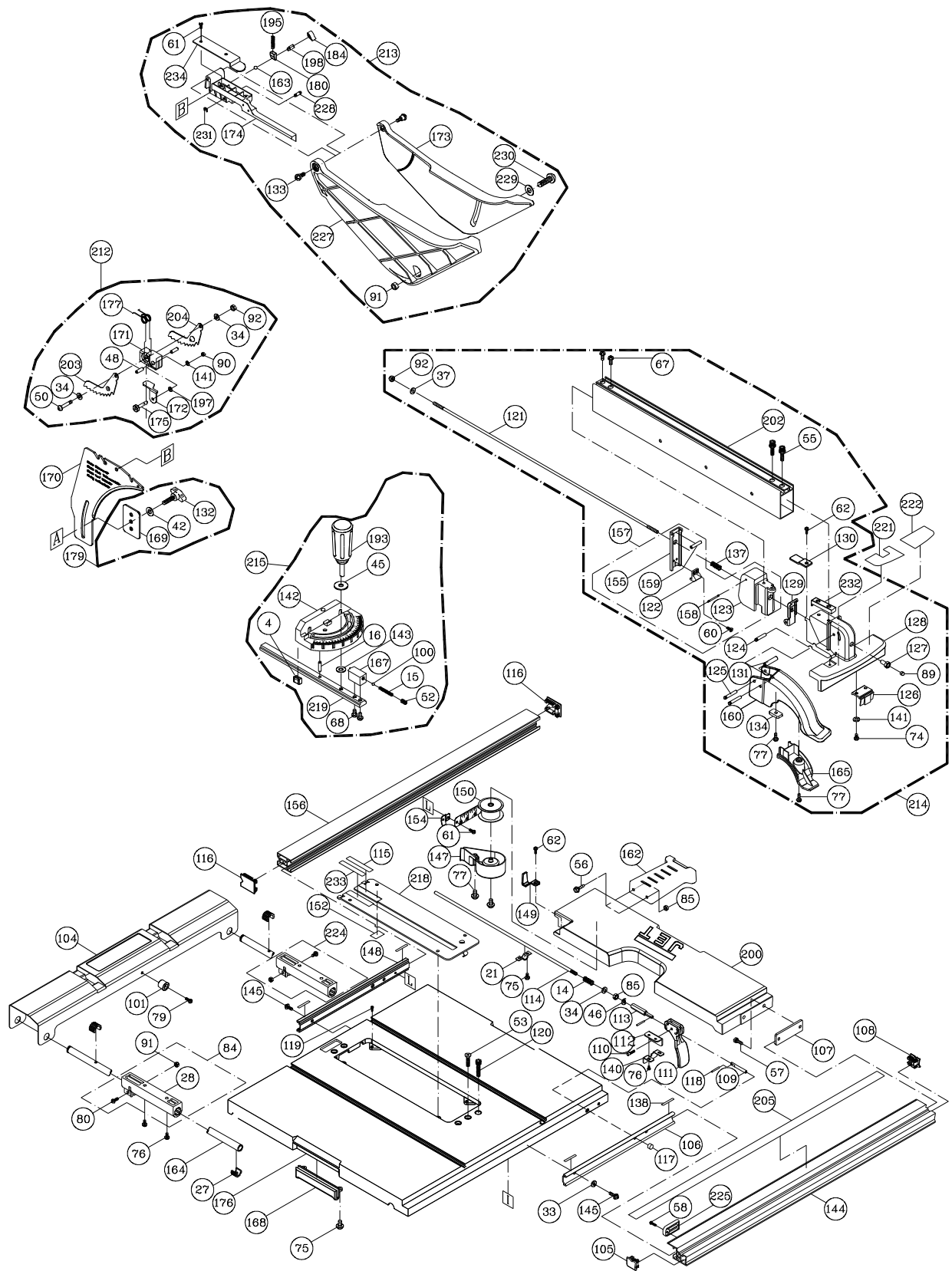
Index No.	Part No.	Description	Size	Qty
161	JBTS10MJS-161	Switch Box		1
162	JBTS10MJS-162	Support Leg		2
163		Steel Ball	6mm	1
164	JBTS10MJS-164	Extension Tube		2
165		Fence Handle Cover		1
166	JBTS10MJS-166	Push Stick		1
167		Miter Angle Pointer		1
168	JBTS10MJS-168	Grip		3
169		Lock Plate		1
170	JBTS10MJS-170	Riving Knife/Splitter		1
171		Pawl Block		1
172		Clamping Handle		1
173		Blade Guard, Right Side		1
174		Blade Guard Release Housing		1
175		Special Screw		1
176	JBTS10MJS-176	Table		1
177		Spring		1
178	JBTS10MJS-178	Pin		2
179	JBTS10MJS-179	Hardware Bag (Lock Knob, Washer, Lock Plate)		1
180		Bracket Stop		1
181	JBTS10MJS-181	Saw Body		1
182	JBTS10MJS-182	Front Panel		1
183	JBTS10MJS-183	Retaining Plate		1
184		Release Knob		1
185	JBTS10MJS-185	Blade Dust Housing		1
186	JBTS10MJS-186	Support		1
187		Shaft		1
188	JBTS10MJS-188	Pointer Bracket		1
189	JBTS10MJS-189	Knob		1
190	JBTS10MJS-190	Hand Wheel		1
191	JBTS10MJS-191	Hand Wheel Cover		1
192		Handle		1
193		Miter Gauge Handle		1
194	JBTS10MJS-194	Saw Body Side Sticker		4
195		Compression Spring		1
196	JBTS10MJS-196	Riving Knife/Splitter Bracket		1
197		Flat Washer	Ø6x13x0.5	1
198		Pin		1
199	JBTS10MJS-199	Compression Spring		1
200	JBTS10MJS-200	Extension Wing		1
201	JBTS10MJS-201	Spacer		1
202		Fence		1
203		Anti-Kickback Pawl, Left		1
204		Anti-Kickback Pawl, Right		1
205	JBTS10MJS-205	Scale		1
206	JBTS10MJS-206	Label: Front Panel ID		1
207	JBTS10MJS-207	JET Label		1
208	JBTS10MJS-208	Controller Assembly		1
209		Power Cord		1
210	JBTS10MJS-210	Complete Switch with Safety Key		1
211		Switch		1
212	JBTS10MJS-212	Anti-Kickback Pawl Assembly		1
213	JBTS10MJS-213	Blade Guard Assembly		1
214	JBTS10MJS-214	Fence Assembly, Complete		1
215	JBTS10MJS-215	Miter Gauge		1
216	JBTS10MJS-216	Hand Wheel Handle Assembly		1
217	JBTS10MJS-217	Power Cord Assembly		1

JBTS-10MJS Table Saw

Index No.	Part No.	Description	Size	Qty
218	JBTS10MJS-218	Table Insert		1
219		Miter Bar		1
220	JBTS10MJS-220	Label: Stand Set-Up/Storage & Warning		1
221		Fence Label: Direction Arrows		1
222		Fence Label: JET		1
223	JBTS10MJS-223	Motor		1
	JBTS10MJS-223MB	Motor Brush (not shown)		2
	JBTS10MJS-223MBC	Motor Brush Cover (not shown)		2
224	JBTS10MJS-224	Slide Base Assembly, Right		1
225	JBTS10MJS-225	Stop		1
226	JBTS10MJS-226	Hex Nut	9/16-18UNF	1
227		Blade Guard, Left Side		1
228		Location Pin		1
229		Washer	Ø5x16x2	1
230		Truss Head Round Neck Screw	M5x20	1
231		E-Clip	E-3	1
232		Cover		1
233	JBTS10MJS-233	Protective Strip		1
234		Cover Plate		1
235	JBTS10MJS-235	Shaft Assembly		1
236		Spring Pin	Ø3x18	1

JBTS-10MJS Table Saw – Exploded View





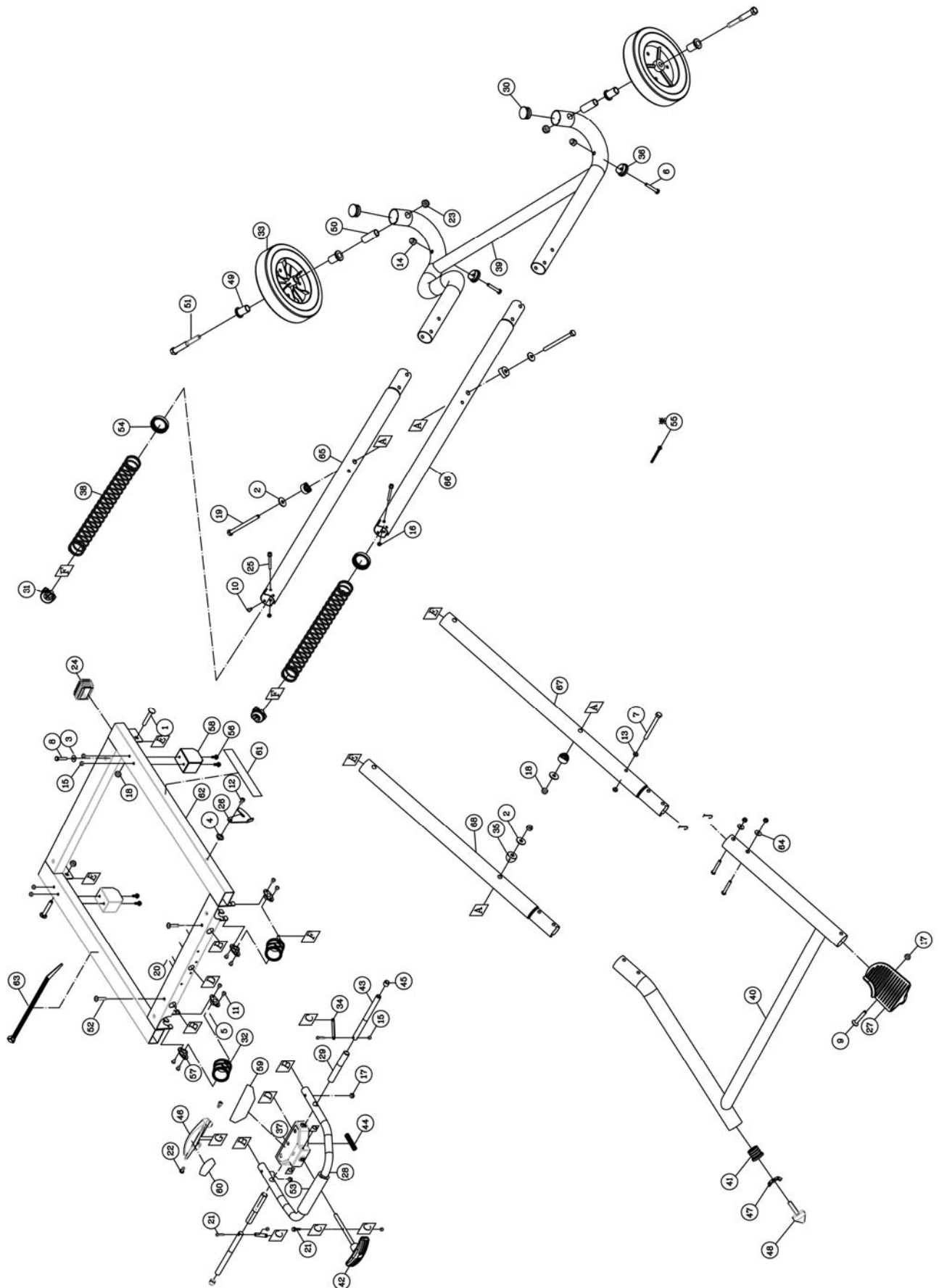
JBTS-10MJS Mobile Stand – Parts List

Index No.	Part No.	Description	Size	Qty
1	JBTS10MJS-601	Carriage Bolt	M8x50	2
2	JBTS10MJS-602	Washer	Ø8.4x24x2	4
3	JBTS10MJS-44	Flat Washer	3/8x3/4x5/64	4
4	JBTS10MJS-604	Wave Washer	WW-6	1
5	JBTS10MJS-605	Wave Washer	WW-12	2
6	TS-1482081	Hex Cap Screw	M6x40	2
7	JBTS10MJS-607N	Hex Cap Screw	M6x55	2
8	JWBS18-108	Hex Cap Screw	M8x65	4
9	JBTS10MJS-609	Truss Head Screw	M6x45	1
10	JBTS10MJS-610	Truss Head Tapping Screw	M5-12x12	2
11	JMS10SCMS-72	Pan Head Screw	M5x8	8
12	JBTS10MJS-612	Pan Head Round Neck Screw	M5x10	2
13	TS-1540041	Hex Nut	M6	4
14	JBTS10MJS-89	Crown Nut	M6	2
15	TS-1541001	Nylon Insert Lock Nut	M4	7
16	TS-1541011	Nylon Insert Lock Nut	M5	2
17	TS-1541021	Nylon Insert Lock Nut	M6	11
18	TS-1541031	Nylon Insert Lock Nut	M8	4
19	JEB-137	Hex Cap Screw	M8x100	2
20	JBTS10MJS-620	Pan Head Screw	M4x60	4
21	TS-1501071	Socket Head Cap Screw	M4x25	3
22	JBTS10MJS-622	Pan Head Round Neck Screw	M5x12	2
23	TS-1541041	Nylon Insert Lock Nut	M10	2
24	JBTS10MJS-624	End Cap		4
25	JMS10SCMS-147	SHCS with Lock Washer & Flat Washer	M5x40	2
26	JBTS10MJS-626	Latch Hook		2
27	JBTS10MJS-627	Foot Pedal		1
28	JBTS10MJS-628	Stand Handle		1
29	JBTS10MJS-629	Center Shaft		2
30	JBTS10MJS-630	End Plug		2
31	JBTS10MJS-631	End Cap		2
32	JBTS10MJS-632	Collar		2
33	JBTS10MJS-633	Wheel	8"	2
34	JBTS10MJS-634	Link		2
35	JBTS10MJS-635	Collar		4
36	JBTS10MJS-636	Foot Pad		2
37	JBTS10MJS-637	Handle Base		1
38	JBTS10MJS-638	Spring		2
39	JBTS10MJS-639N	Rear Frame Assembly (s/n 12120886 and higher)		1
40	JBTS10MJS-640N	Front Frame Assembly (s/n 12120886 and higher)		1
41	JBTS10MJS-641	End Plug		1
42	JBTS10MJS-642	Release Handle		1
43	JBTS10MJS-643	Rod		2
44	JBTS10MJS-644	Spring		1
45	JBTS10MJS-645	Button		2
46	JBTS10MJS-646	Handle Cover		1
47	JBTS10MJS-647	Wing Nut		1
48	JBTS10MJS-648	Leveling Foot Pad		1
49	JBTS10MJS-649	Bushing		4
50	JBTS10MJS-650	Sleeve		2
51	TS-1491151	Hex Cap Screw	M10x90	2
52	TS-2286402	Pan Head Screw	M6x40	10
53	JBTS10MJS-653	Handle Grip		1
54	JBTS10MJS-654	Collar		2
55	JBTS10MJS-655	Truss Head Tapping Screw	M6-14x60	2
56	TS-2284252	Pan Head Screw	M4x25	4
57	JBTS10MJS-657	Bushing		4

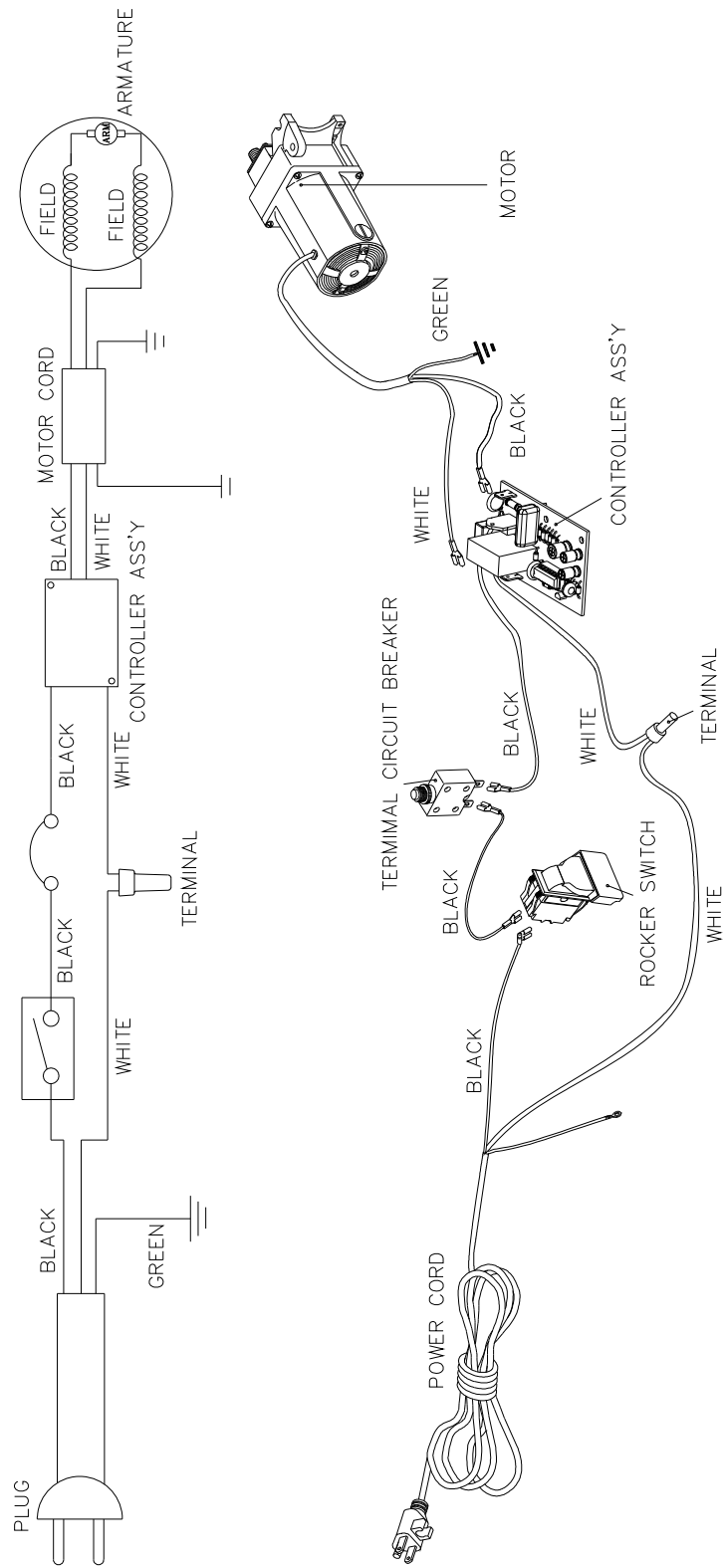
JBTS-10MJS Mobile Stand

Index No.	Part No.	Description	Size	Qty
58	JBTS10MJS-658	Bumper		2
59	JBTS10MJS-659	Caution Label		1
60	JBTS10MJS-660	Warning Label		1
61	JBTS10MJS-661	Warning Label		1
62	JBTS10MJS-662	Stand Top		1
63	JBTS10MJS-663	Locking Cable Tie		2
64	TS-1550041	Flat Washer	Ø6 x 13	8
65	JBTS10MJS-665	Rear Frame Tube	Length 710mm (Right)	1
66	JBTS10MJS-666	Rear Frame Tube	Length 710mm (Left)	1
67	JBTS10MJS-667	Front Frame Tube	Length 610mm	1
68	JBTS10MJS-668	Front Frame Tube	Length 529.5mm	1

JBTS-10MJS Mobile Stand – Exploded View



Wiring Diagram



This page intentionally left blank.

This page intentionally left blank.



427 New Sanford Road
LaVergne, Tennessee 37086
Phone: 800-274-6848
www.jettools.com