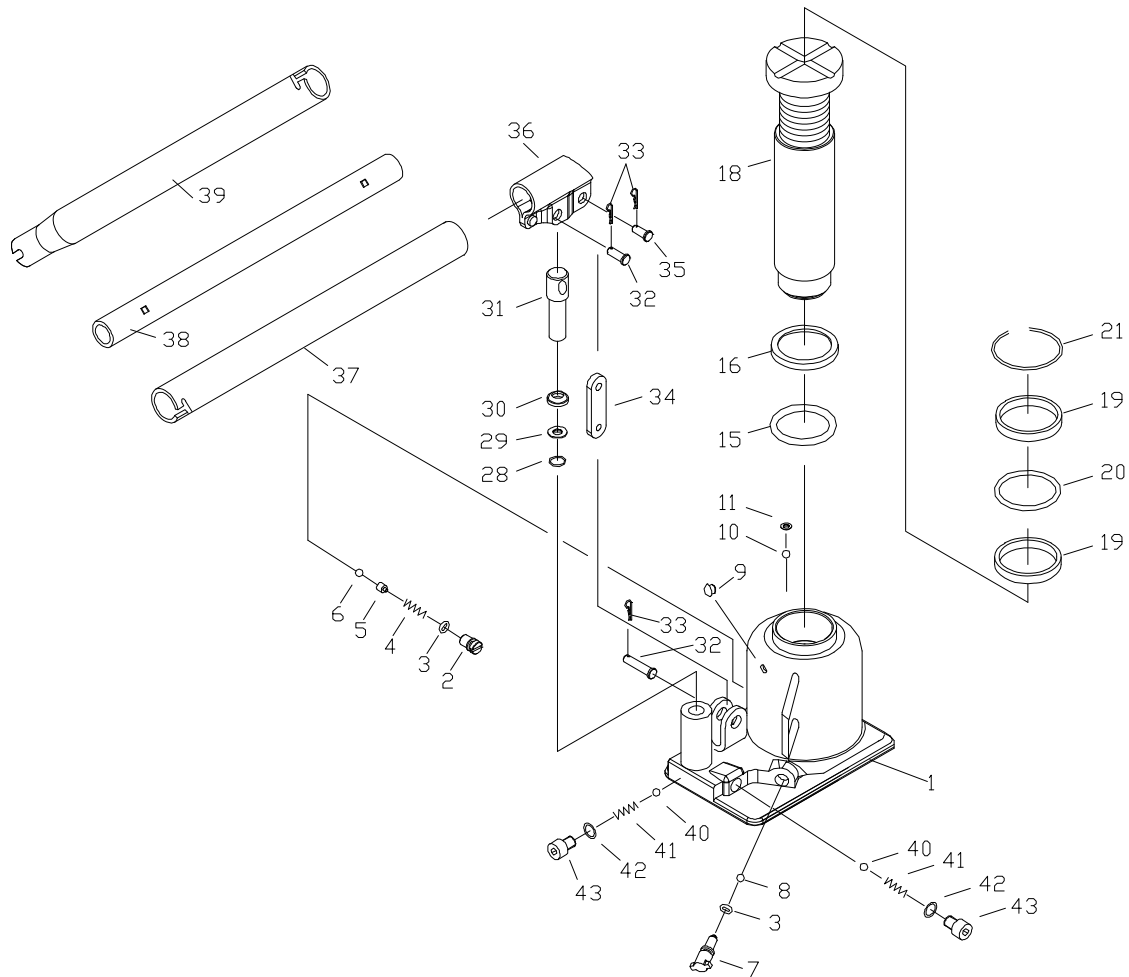




22-Ton Low Profile Bottle Jack

Model **Stock No**
JBJ-22TL 655557



For jacks with serial no. 0902xxxx and higher.

See reverse side for parts list

JET
427 New Sanford Road
LaVergne, Tennessee 37086
Ph.: 800-274-6848
www.jettools.com

Part No. M-655557
Revision C1 05/2014
Copyright © 2014 JET, a Division of JPW Industries, Inc.

Ordering Replacement Parts

To order parts or reach our service department, call 800-274-6848 Monday through Friday (see our website for business hours, www.jettools.com). Having the Model Number and Serial Number of your tool available when you call will allow us to serve you quickly and accurately.

Parts List for 22-Ton Low Profile Bottle Jack

Index No.	Part No.	Description	Size	Qty
1	JBJ22L-1A	Body		1
2	JBJ12-2	Safety Valve Screw		1
3	JBJ12-26	O-Ring*	6.6 x 3 mm	2
4	JBJ12-4	Safety Valve Spring		1
5	JBJ12-5	Ball Seat		1
6	SB-4MM	Steel Ball	4 mm	1
7	JBJ12-7	Release Rod		1
8	SB-6MM	Steel Ball	6 mm	1
9	JBJ12-9	Oil Fill Plug*		1
10	SB-4MM	Steel Ball	4 mm	2
11	JBJ22-2A	Washer		1
15	JBJ22-6A	O-Ring*	45 x 5.3 mm	1
16	JBJ22-7	Sealing Washer*		1
18	JBJ22L-2A	Ram		1
19	JBJ22-10	Bushing		2
20	JBJ22-11	O-Ring*	51.5 x 4.6 mm	1
21	JBJ22-12	Snap Ring		1
28	JBJ12-26A	O-Ring*	12 x 2.65 mm	1
29	JBJ12-27A	Nylon Gasket*	16 x 12 x 1.25 mm	1
30	JBJ12-28	Dustproof Ring*		1
31	JBJ22-15A	Pump Plunger		1
32	JBJ22-16	Pin		1
33	JBJ12-31	Pin		3
34	JBJ22-17	Rod Joint		1
35	JBJ22-18	Pin		1
36	JBJ22-19	Handle Socket		1
37	JBJ22-20	Rear Handle		1
38	JBJ22-21	Middle Handle		1
39	JBJ22-22	Front Handle		1
40	SB-6MM	Steel Ball	6 mm	2
41	JBJ5-3	Spring		2
42	JBJ5-4	Copper Washer*		2
43	JBJ5-5	Screw	M6 x 10	2
	JBJ22L-ID	I.D./Warning Label (not shown)		1
	JBJ22-RK-A	Repair Kit (s/n 0902xxxx and higher)		

Items marked with an asterisk (*) are included in the Repair Kit.

Specifications

Stock No.	Model No.	Rated capacity (ton)	Minimum height (in.)	Piston lift (in.)	Head Screw lift (in.)	Maximum height (in.)	Base size (LxW/in.)	Weight (lb)
655557	JBJ-22TL	22	7-1/8	3-3/8	1-1/2	12	7-1/8 x 5-1/2	19

Complies with ANSI/ASME B30.1 and PALD-1 standards.