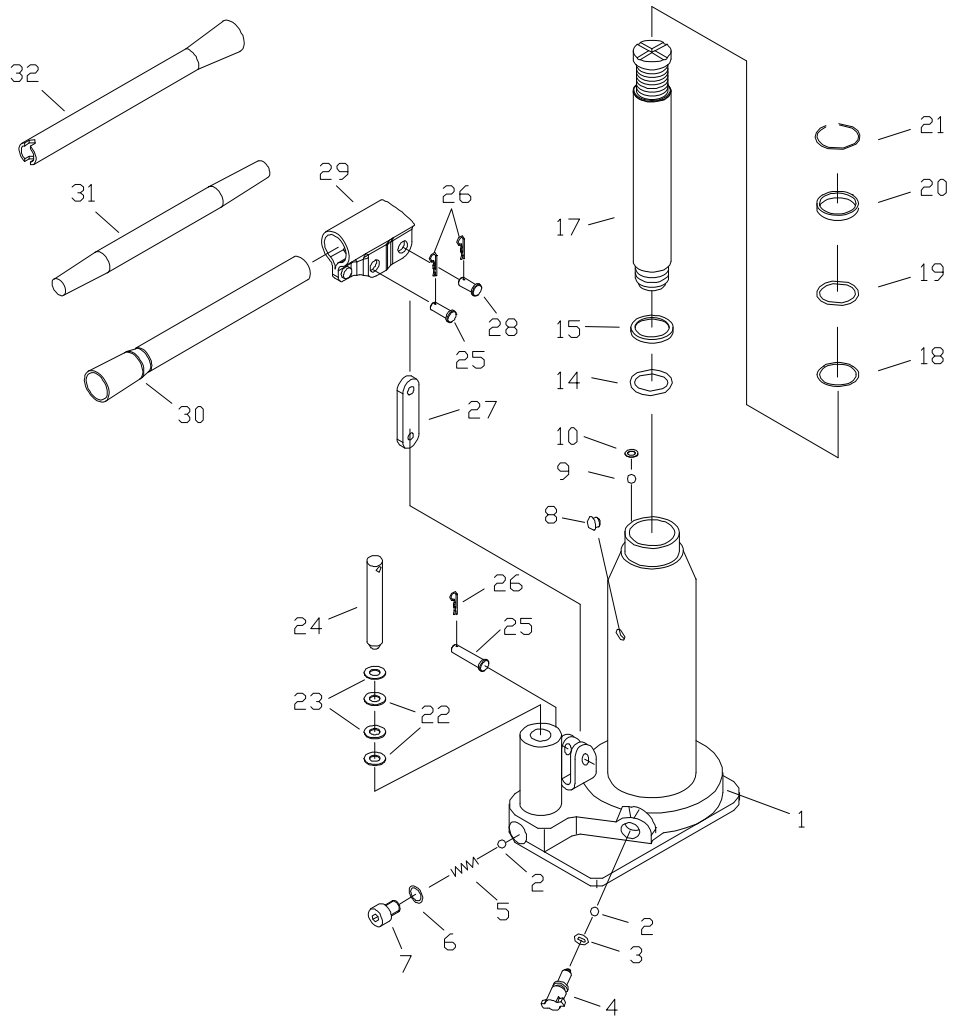




5 Ton Bottle Jack

Model **Stock No**
JBJ-5 655552



For jacks with serial no. 0902xxxx and higher

See reverse side for parts list

JET
427 New Sanford Road
LaVergne, Tennessee 37086
Ph.: 800-274-6848
www.jettools.com

Part No. M-655552
Revision D1 05/2014
Copyright © 2014 JET, a Division of JPW Industries, Inc.

Parts List for 5-Ton Bottle Jack

Index No.	Part No.	Description	Size	Qty.
1	JBJ5-1A	Body		1
2	SB-6MM	Steel ball	6 mm	2
3	JBJ12-26	O-ring*	6.6 x 3 mm	1
4	JBJ5-2	Release rod		1
5	JBJ5-3	Spring		1
6	JBJ5-4	Copper washer*		1
7	JBJ5-5	Screw	M6 x 10	1
8	JBJ12-9	Oil fill plug*	6 mm	1
9	SB-4MM	Steel ball	4 mm	1
10	JBJ5-6A	Washer		1
14	JBJ5-10	O-ring*	21.4 x 5.4 mm	1
15	JBJ5-11	Sealing washer*		1
17	JBJ5-13A	Ram		1
18	JBJ5-14	Washer		1
19	JBJ5-15	O-ring*	28 x 3.55 mm	1
20	JBJ5-16	Bushing		1
21	JBJ5-17	Snap ring		1
22	JBJ5-18A	O-ring*	10 x 2.65 mm	2
23	JBJ5-19A	Nylon gasket*	14 x 10 x 1.25 mm	2
24	JBJ5-20	Pump cylinder		1
25	JBJ5-21	Pin		2
26	JBJ12-31	Pin		3
27	JBJ5-22	Joining plate		1
28	JBJ5-23	Pin		1
29	JBJ5-24	Handle socket		1
30	JBJ5-25	Rear handle		1
31	JBJ5-26	Middle handle		1
32	JBJ5-27	Front handle		1
	JBJ5-ID	I.D./Warning Label (not shown)		1
	JBJ5-RPK-A	Repair kit (s/n 0902xxxx and higher)		

Items marked with an asterisk (*) are included in the Repair Kit.

Specifications

Stock No.	Model No.	Rated capacity (ton)	Minimum height (in.)	Piston lift (in.)	Head Screw lift (in.)	Maximum height (in.)	Base size (LxW/in.)	Weight (lb)
655552	JBJ-5	5	7-3/4	4-3/4	2-3/4	15-3/8	5-1/8 x 3	10

Complies with ANSI/ASME B30.1 and PALD-1 standards.

Ordering Replacement Parts

To order parts or reach our service department, call 800-274-6848 Monday through Friday (see our website for business hours, www.jettools.com). Having the Model Number and Serial Number of your machine available when you call will allow us to serve you quickly and accurately.