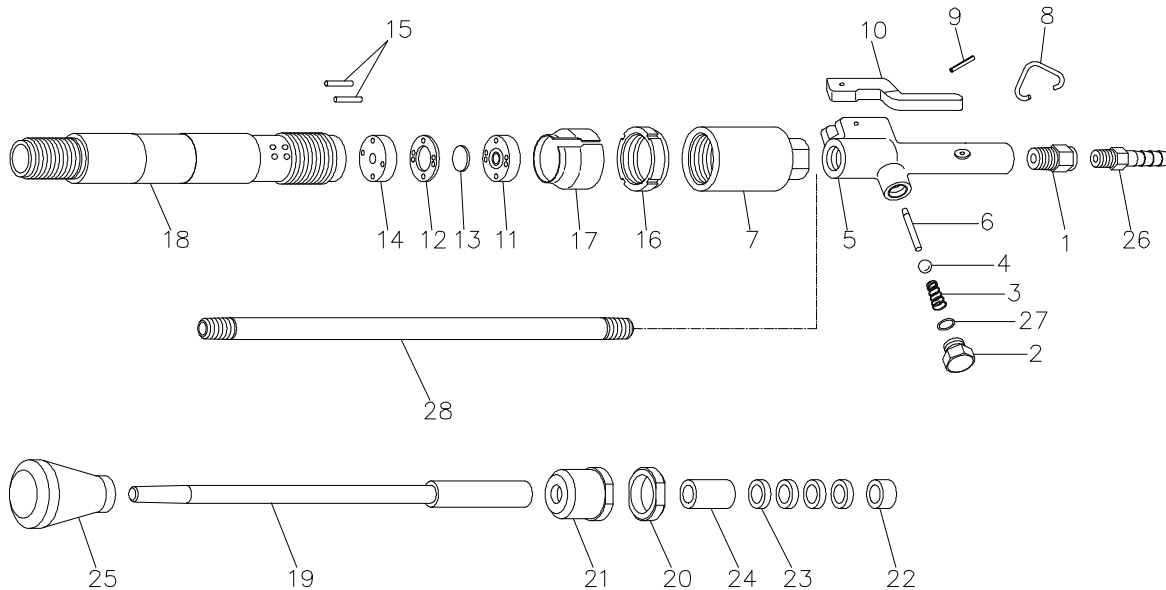




Parts List for # 556634 JET-2T Sand Rammer



Index	Part No.	Description	Qty.
1	Y3101401A	Air Inlet NPT	1
2	Y31010020	Throttle Valve Cap	1
3	Y31014030	Throttle Valve Spring	1
4	Y10103040	Valve Ball 1/2"	1
5	Y31014050	Handle	1
6	Y31014060	Throttle Valve Pin	1
7	Y31015070	Cylinder Cap	1
8	Y31014080	Lever Lock	1
9	Y10104040	Spring Pin 4x25mm	1
10	Y31014100	Lever	1
11	Y31015110	Valve Upper Seat	1
12	Y31015120	Valve Center Seat	1
13	Y31015130	Valve	1
14	Y31015140	Valve Lower Seat	1
15	Y31015150	Valve Knock Pin	2
16	Y31015160	Lock Nut	1

Index	Part No.	Description	Qty.
17	Y31015170	Exhaust Band	1
18	Y31015180	Cylinder	1
19	Y31015190	Piston	1
20	Y31015200	Double Nut	1
21	Y31015210	Gland Nut	1
22	Y31015220	Inner Bushing	1
23	Y31015230	Packing	4
24	Y31015240	Outer Bushing	1
25	Y31015250	Butt	1
26	Y31010260	Nipple NPT	1
27	Y10601240	O-Ring S-18	1
28	Y31015280	Pipe	1
	Y3101405A	Handle Assembly (index # 2-6, 8-10, 27)	1
	Y3101513A	Valve Assembly (index # 11-15)	1

To order parts or reach our service department, call 1-800-274-6848 Monday through Friday (see our website for business hours). Having the Model Number and Serial Number of your product available when you call will allow us to serve you quickly and accurately.

JET
 427 New Sanford Road
 LaVergne, Tennessee 37086
 Ph.: 800-274-6848
 www.jettools.com

Part No. M-556634
 Revision B1 07/2014
 Copyright © 2014 JET, a Division of JPW Industries, Inc.

Replacement Parts

To order parts or reach our service department, call 1-800-274-6848, Monday through Friday (see our website for business hours). Having the Model Number and Serial Number of your product available when you call will allow us to serve you quickly and accurately.

Specifications

Model number	JET-2T
Stock number	556634
Type	Floor model
Blows per minute.....	700
Butt diameter.....	3 in.
Bore diameter.....	1-1/4 in.
Stroke.....	5 in.
Overall Length.....	44 in.
Weight.....	20 lbs.

The above specifications were current at time of publication, but because of our policy of continuous improvement, JET reserves the right to change specifications at any time and without prior notice, without incurring obligations.