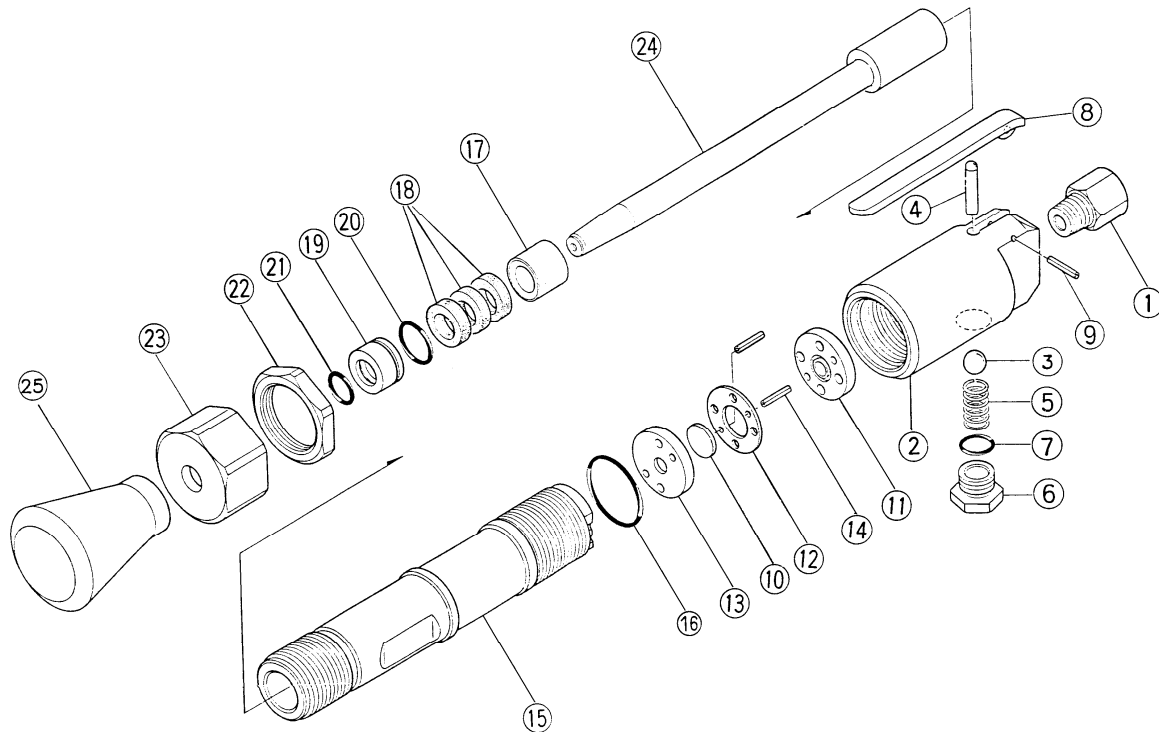




## Parts List for Model JET-0T Sand Rammer (#556632)



Index	Part No.	Description	Qty	Index	Part No.	Description	Qty
1	Y30101500	Screw Bushing	1	15	Y31002150	Cylinder	1
2	Y31002020	Cylinder Cap	1	16	Y50201250	O-Ring	1
3	Y10103040	Throttle Valve Ball	1	17	Y31002170	Inner Bushing	1
4	Y31002040	Throttle Valve Pin	1	18	Y31002180	Packing	3
5	Y31002050	Throttle Valve Spring	1	19	Y31002190	Outer Bushing	1
6	Y31002060	Throttle Valve Cap	1	20	Y31002200	O-Ring	1
7	Y31002070	O-Ring	1	21	Y31002210	O-Ring	1
8	Y31002080	Throttle Lever	1	22	Y31002220	Double Nut	1
9	Y31002090	Spring Pin (3x18)	1	23	Y31002230	Gland Nut	1
10	Y31002100	Valve	1	24	Y31002240	Piston	1
11	Y31002110	Valve Seat (upper)	1	25	556635	Rubber Butt	1
12	Y31002120	Valve Seat (middle)	1	48	Y10301220	Hose Stem (3/8x1/2)	1
13	Y31002130	Valve Seat (bottom)	1	49	Y10301320	Poly Plug (3/8)	1
14	Y31002090	Spring Pin (3x18)	2				

### JET

427 New Sanford Road  
 LaVergne, Tennessee 37086  
 Ph.: 800-274-6848  
 www.jettools.com

**Part No. M-556632**

Revision A1 07/2014

Copyright © 2014 JET, a Division of JPW Industries, Inc.

## Replacement Parts

To order parts or reach our service department, call 1-800-274-6848, Monday through Friday (see our website for business hours). Having the Model Number and Serial Number of your product available when you call will allow us to serve you quickly and accurately.

## Specifications

Model number .....	JET-0T
Stock number.....	556632
Type .....	Bench model
Blows per minute.....	750
Butt diameter.....	2 in.
Bore diameter .....	7/8 in.
Stroke .....	2-1/2 in.
Overall Length.....	16 in.
Weight .....	6 lbs.

The above specifications were current at time of publication, but because of our policy of continuous improvement, JET reserves the right to change specifications at any time and without prior notice, without incurring obligations.