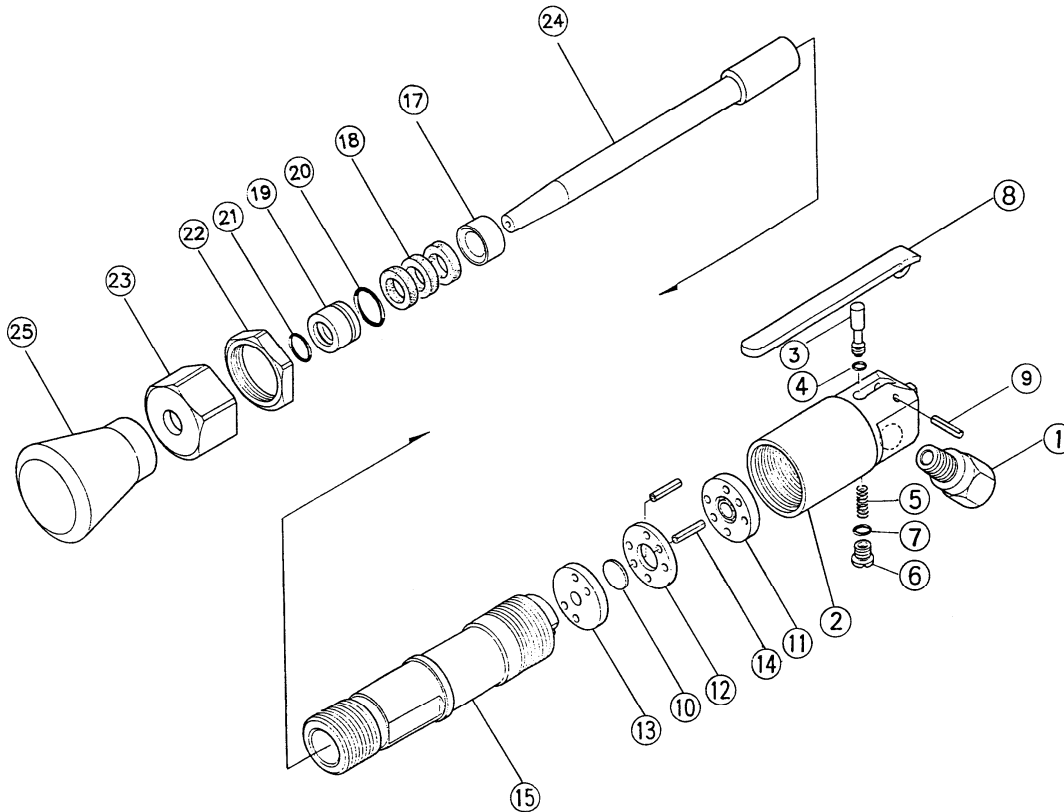




Parts List for Model JET-00T Sand Rammer (#556631)



Index	Part No.	Description	Qty	Index	Part No.	Description	Qty.
1	Y10301110	Screw Bushing	1	13	Y31001130	Valve Seat (lower)	1
2	Y31001020	Cylinder Cap	1	14	Y31002090	Spring Pin (3x18)	2
3	Y31001030	Throttle Valve	1	15	Y31001150	Cylinder	1
4	Y31001040	O-Ring	1	17	Y31001170	Inner Bushing	1
5	Y31001050	Throttle Valve Spring	1	18	Y31001180	Packing	3
6	Y31001060	Throttle Valve Cap	1	19	Y31001190	Outer Bushing	1
7	Y31001070	O-Ring	1	20	Y10601240	O-Ring	1
8	Y31002080	Throttle Lever	1	21	Y31001210	O-Ring	1
9	Y31002090	Spring Pin (3x18)	1	22	Y31001220	Double Nut	1
10	Y31001100	Valve	1	23	Y31001230	Gland Nut	1
11	Y31001110	Valve Seat (upper)	1	24	Y31001240	Piston	1
12	Y31001120	Valve Seat (middle)	1	25	556636	Rubber Butt	1

JET

427 New Sanford Road
 LaVergne, Tennessee 37086
 Ph.: 800-274-6848
 www.jettools.com

Part No. M-556631

Revision A1 07/2014

Copyright © 2014 JET, a Division of JPW Industries, Inc.

Replacement Parts

To order parts or reach our service department, call 1-800-274-6848, Monday through Friday (see our website for business hours). Having the Model Number and Serial Number of your product available when you call will allow us to serve you quickly and accurately.

Specifications

Model number.....	JET-00T
Stock number	556631
Type	Bench model
Blows per minute	1600
Butt diameter	2 in.
Bore diameter.....	3/4 in.
Stroke.....	2 in.
Overall Length	11 in.
Weight.....	4 lbs.

The above specifications were current at time of publication, but because of our policy of continuous improvement, JET reserves the right to change specifications at any time and without prior notice, without incurring obligations.