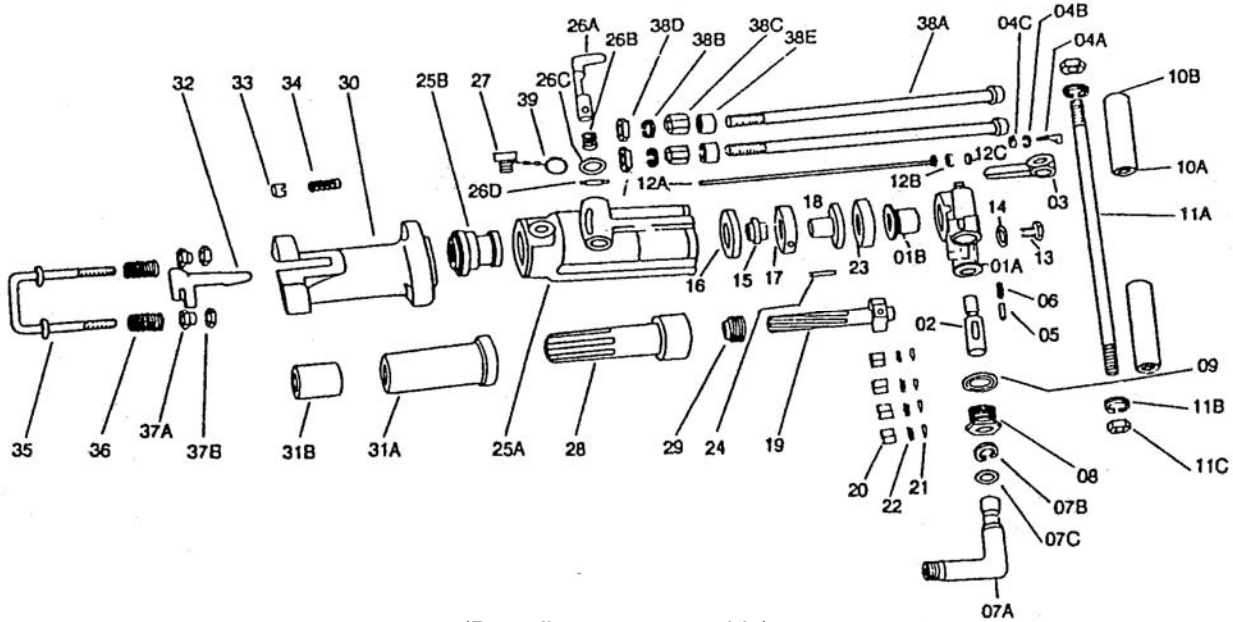




Parts List for Model RD-60 Rock Drill (#550022)



(Parts list on reverse side)

Specifications

Model Number.....	RD-60
Stock Number.....	550022
Hex Shank Size (in.).....	1 x 4-1/4
Piston Diameter (in.).....	2-9/16
Piston Stroke (in.).....	2-9/16
Chuck Rotation.....	left
Free Speed (RPM).....	200
Blows per Minute.....	1800
Foot/pounds per Blow @ 90psi.....	75
Air Pressure (PSI).....	90
Air Consumption (CFM).....	91
Air Inlet (NPT/in.).....	3/4
Air Hose (ID/in.).....	3/4
Vibration Value (m/s ²).....	17.5
Overall Length (in.).....	22-3/8
Weight (lbs.).....	60

The above specifications were current at time of publication, but because of our policy of continuous improvement, JET, reserves the right to change specifications at any time and without prior notice, without incurring obligations.

JET

427 New Sanford Road
 LaVergne, Tennessee 37086
 Ph.: 800-274-6848
 www.jettools.com

Part No. M-550022

Revision G1 06/2014

Copyright © 2014 JET, a Division of JPW Industries, Inc.

Parts list for 550022, RD-60 Rock Drill

Part No.	Description	Qty.
RD60-01A	Back Head	1
RD60-01B	Back Head Bushing	1
RD60-02	Throttle Valve	1
RD60-03	Throttle Valve Handle	1
RD60-04A	Throttle Valve Handle Bolt	1
RD60-04B	Throttle Valve Bolt Washer	1
RD60-04C	Throttle Valve Bolt Nut	1
RD60-05	Detent Plunger	1
RD60-06	Detent Plunger Spring	1
RD60-07A	Hose Connection	1
RD60-07B	Hose Connection Retainer	1
RD60-07C	Hose Connection Ring (P24)	1
RD60-08	Hose Connection Cap	1
RD60-09	Hose Connection Washer	1
RD60-10A	Handle Grip & Pipe	2
RD60-10B	Handle Grip Pipe (RE: RD60-10A)	2
RD60-11A	Handle Bolt	1
RD60-11B	Handle Washer	2
RD60-11C	Handle Nut	2
RD60-12A	Blow Tube	1
RD60-12B	Blow Tube Washer	1
RD60-12C	Blowing Tube Rubber	1
RD60-13	Blowing Air Tube	1
RD60-14	Blowing Air Tube Gasket	1
RD60-15	Valve	1
RD60-16	Valve Chest (Front)	1
RD60-17	Valve Chest (Rear)	1
RD60-18	Valve Plug	1
RD60-19	Rifle Bar	1
RD60-20	Pawl	4
RD60-21	Pawl Plunger	4

Part No.	Description	Qty.
RD60-22	Pawl Spring	4
RD60-23	Ratchet Ring	1
RD60-24	Ratchet Dowel Pin	1
RD60-25A	Cylinder	1
RD60-25B	Cylinder Bushing	1
RD60-26A	Exhaust Control Valve	1
RD60-26B	Exhaust Control Spring	1
RD60-26C	Exhaust Control Washer, M20	1
RD60-26D	Exhaust Control Pin	1
RD60-27	Filler Plug	1
RD60-28	Piston	1
RD60-29	Rifle Nut	1
RD60-30	Chuck End (Long)	1
RD60-31A	Chuck Driver (Long)	1
RD60-31B	Chuck Liner (Long) 7/8"	1
RD60-31C	Chuck Liner (Long) 1" <i>(not shown)</i>	1
RD60-32	Steel Puller	1
RD60-33	Steel Puller Pivot	1
RD60-34	Steel Puller Spring	1
RD60-35	Steel Puller Yoke	1
RD60-36	Steel Puller Yoke Spring	2
RD60-37A	Steel Puller Yoke Nut (Lower)	2
RD60-37B	Steel Puller Yoke Nut (Upper)	2
RD60-38A	Side Rod	2
RD60-38B	Side Rod Washer	2
RD60-38C	Side Rod Nut (Large)	2
RD60-38D	Side Rod Nut (Small)	2
RD60-38E	Spacer Ring	2
RD60-39	Filler Plug Chain	1
RD60-40	Muffler RE:556607 <i>(not shown)</i>	1

Replacement Parts

To order parts or reach our service department, call 1-800-274-6848 Monday through Friday (see our website for business hours). Having the Model Number and Serial Number of your product available when you call will allow us to serve you quickly and accurately.