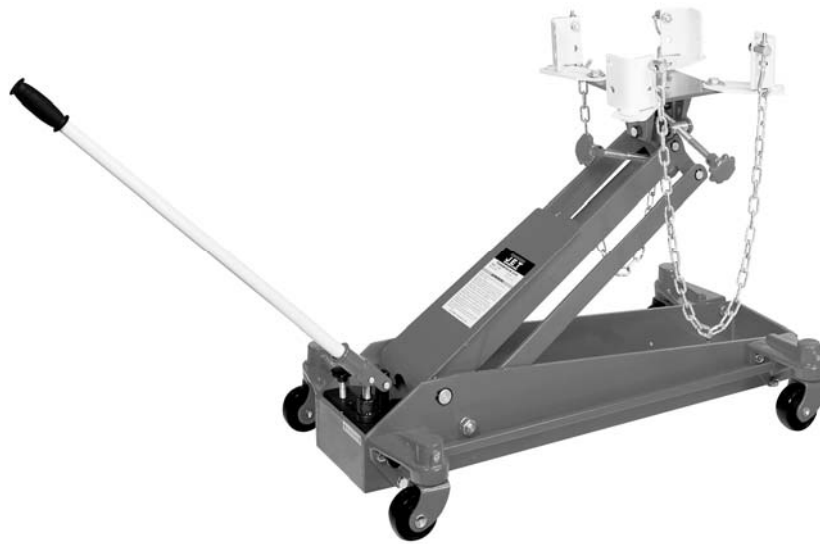




Operating Instructions and Parts Manual Transmission Jack

Model TJ-2000X



JET
427 New Sanford Road
LaVergne, Tennessee 37086
Ph.: 800-274-6848
www.jettools.com

Part No. M-450077
Revision C1 05/2014
Copyright © 2014 JET

Warranty and Service

JET warrants every product it sells against manufacturers' defects. If one of our tools needs service or repair, please contact Technical Service by calling 1-800-274-6846, 8AM to 5PM CST, Monday through Friday.

Warranty Period

The general warranty lasts for the time period specified in the literature included with your product or on the official JET branded website.

- JET products carry a limited warranty which varies in duration based upon the product. (See chart below)
- Accessories carry a limited warranty of one year from the date of receipt.
- Consumable items are defined as expendable parts or accessories expected to become inoperable within a reasonable amount of use and are covered by a 90 day limited warranty against manufacturer's defects.

Who is Covered

This warranty covers only the initial purchaser of the product from the date of delivery.

What is Covered

This warranty covers any defects in workmanship or materials subject to the limitations stated below. This warranty does not cover failures due directly or indirectly to misuse, abuse, negligence or accidents, normal wear-and-tear, improper repair, alterations or lack of maintenance.

Warranty Limitations

Woodworking products with a Five Year Warranty that are used for commercial or industrial purposes default to a Two Year Warranty. Please contact Technical Service at 1-800-274-6846 for further clarification.

How to Get Technical Support

Please contact Technical Service by calling 1-800-274-6846. **Please note that you will be asked to provide proof of initial purchase when calling.** If a product requires further inspection, the Technical Service representative will explain and assist with any additional action needed. JET has Authorized Service Centers located throughout the United States. For the name of an Authorized Service Center in your area call 1-800-274-6846 or use the Service Center Locator on the JET website.

More Information

JET is constantly adding new products. For complete, up-to-date product information, check with your local distributor or visit the JET website.

How State Law Applies

This warranty gives you specific legal rights, subject to applicable state law.

Limitations on This Warranty

JET LIMITS ALL IMPLIED WARRANTIES TO THE PERIOD OF THE LIMITED WARRANTY FOR EACH PRODUCT. EXCEPT AS STATED HEREIN, ANY IMPLIED WARRANTIES OF MERCHANTABILITY AND FITNESS FOR A PARTICULAR PURPOSE ARE EXCLUDED. SOME STATES DO NOT ALLOW LIMITATIONS ON HOW LONG AN IMPLIED WARRANTY LASTS, SO THE ABOVE LIMITATION MAY NOT APPLY TO YOU.

JET SHALL IN NO EVENT BE LIABLE FOR DEATH, INJURIES TO PERSONS OR PROPERTY, OR FOR INCIDENTAL, CONTINGENT, SPECIAL, OR CONSEQUENTIAL DAMAGES ARISING FROM THE USE OF OUR PRODUCTS. SOME STATES DO NOT ALLOW THE EXCLUSION OR LIMITATION OF INCIDENTAL OR CONSEQUENTIAL DAMAGES, SO THE ABOVE LIMITATION OR EXCLUSION MAY NOT APPLY TO YOU.

JET sells through distributors only. The specifications listed in JET printed materials and on official JET website are given as general information and are not binding. JET reserves the right to effect at any time, without prior notice, those alterations to parts, fittings, and accessory equipment which they may deem necessary for any reason whatsoever. JET® branded products are not sold in Canada by JPW Industries, Inc.

Product Listing with Warranty Period

90 Days – Parts; Consumable items; Light-Duty Air Tools
1 Year – Motors; Machine Accessories; Heavy-Duty Air Tools; Pro-Duty Air Tools
2 Year – Metalworking Machinery; Electric Hoists, Electric Hoist Accessories; Woodworking Machinery used for industrial or commercial purposes
5 Year – Woodworking Machinery
Limited Lifetime – JET Parallel clamps; VOLT Series Electric Hoists; Manual Hoists; Manual Hoist Accessories; Shop Tools; Warehouse & Dock products; Hand Tools

NOTE: JET is a division of JPW Industries, Inc. References in this document to JET also apply to JPW Industries, Inc., or any of its successors in interest to the JET brand.

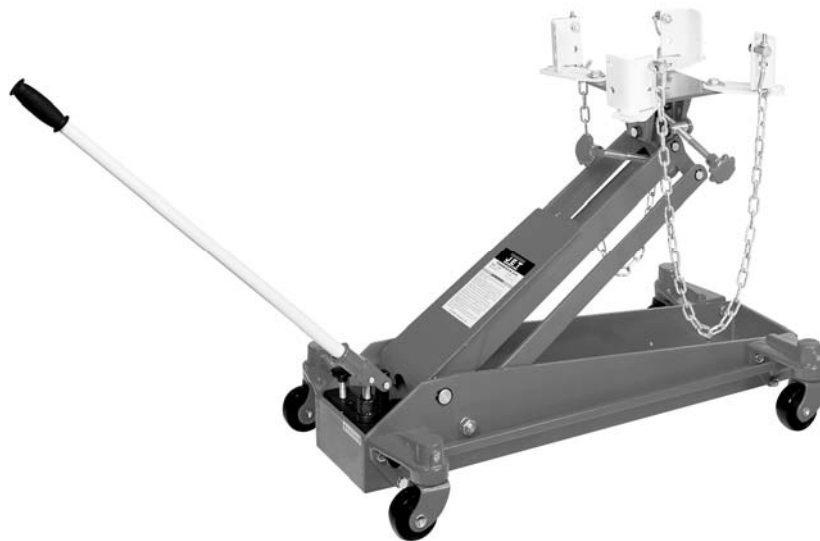


Safety warnings

- Read and understand all operating instructions before use.
- The vehicle must be properly supported and blocked before starting repairs.
- Use a transmission jack of the proper size and capacity to handle the anticipated load. This jack is rated for a maximum load of 2,000 lbs. Do not overload beyond the jack's rated capacity. Overloading may cause damage to or failure of the jack.
- Keep hands, fingers, and arms away from moving parts of the jack at all times.
- Secure the load with the safety chain before lowering or moving the load.
- Lower the load slowly and avoid sudden starts or stops that may cause the load to shift.
- This jack is designed for use only on hard, level surfaces capable of sustaining the load. Use on other than hard, level surfaces can result in jack instability and possible loss of load.
- Do not use the transmission jack if under the influence of alcohol or drugs.
- This transmission jack is designed and intended for use by properly trained and experienced personnel only. If you are not familiar with the proper and safe operation of a transmission jack, do not use until proper training and knowledge have been obtained.
- The use of this jack is limited to the removal, installation, and transportation in the lowered position, of transmissions and differentials.
- Failure to comply with all of these warnings may cause loss of load, damage to the jack, and/or failure of the jack resulting in serious injury and/or property damage.

Specifications

Model Number.....	TJ-2000X
Stock Number	450077
Capacity	2,000 lbs.
Minimum Height.....	8-1/2"
Maximum Height.....	30-1/2"
Sideways Adjustment L/R	30°/30°
Forward/Backward Tilt.....	60°/17°
Saddle Size	7-3/4" x 7-3/4"
Base Size (LxW)	35" x 19"
Net Weight	175 lbs.
Shipping Weight	184 lbs.



The specifications in this manual are given as general information and are not binding. JET reserves the right to effect, at any time and without prior notice, changes or alterations to parts, fittings, and accessory equipment deemed necessary for any reason whatsoever.

Assembly

All numbers in parenthesis () refer to the index number from the parts breakdown.

1. Mount the four angle brackets (100) to the saddle (94) using four hex cap screws (102), and four washers (101).
2. Insert four hook guides (91) into the angle bracket holes and tighten using four washers (96) and four hex nuts (95).
3. Place two chain screws (90) through hook guides and thread into chain connectors (92).
4. Thread hex nut (98) part way up the chain hook (99) followed by a washer (97). Place through hook guides and attach with washer (91), and hex nut (98). Repeat for second chain hook.
5. Screw pump handle (2) into handle socket (5).
6. Turn gear (32) clockwise to close the pump release valve. Pump handle up and down to lift the whole stroke. Turn gear (31) counter-clockwise for lowering. Test jack raising and lowering operation several times before use.

Operation

All numbers in parenthesis () refer to the index number from the parts breakdown.

1. Move the jack into position.
2. Turn the gear (32) clockwise fully to close the valve.
3. Move the pump lever (2) up and down to raise the saddle.

4. Adjust the angle screws (75 & 88) to align with the shape of the transmission.
5. Adjust angle brackets (100) and chain (93) to secure the transmission on the saddle. Tighten hex cap screws (102).
6. Remove the transmission from the vehicle.
7. Turn gear (32) counter-clockwise slowly to lower the saddle. Always lower the saddle slowly. Always transport the load in the lowered position with the chains securely fastened.
8. Reverse this procedure when mounting the transmission.

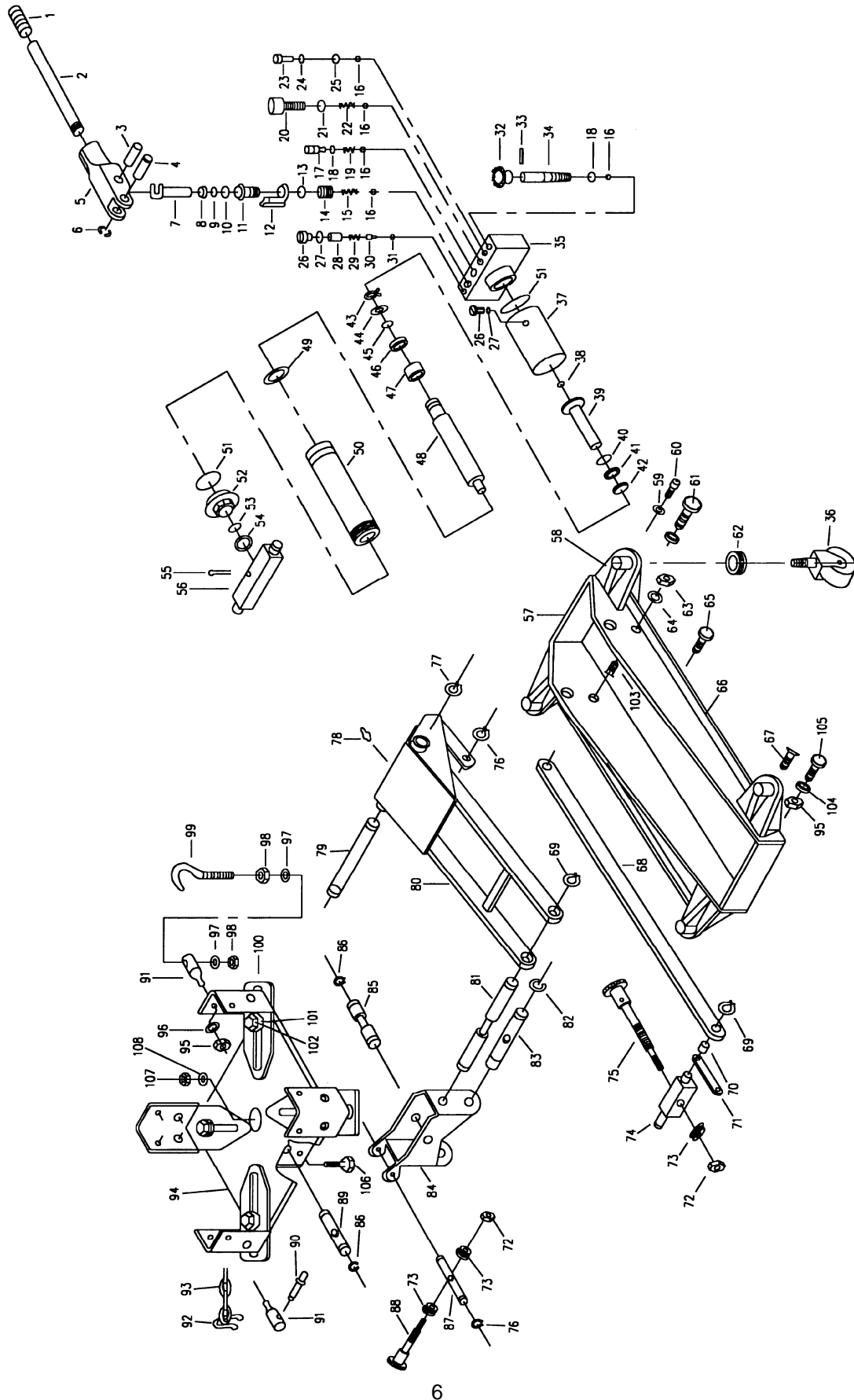
Maintenance

1. The hydraulic cylinder assembly contains hydraulic fluid that must be kept at approximately 80% of full at all times for proper operation. To check the level and to fill, remove screw (26).
2. Fill with clean hydraulic fluid only.
3. Replace the screw.

Lubrication

1. Lubricate the shaft threads of the angle screw assembly (75 & 88) with #2 tube grease when necessary.
2. Lubricate grease fitting (78) once every three months, depending on usage, with #2 tube grease.

JET TJ-2000X Transmission Jack – Exploded View



JET TJ-2000X Transmission Jack – Exploded View

Index No.	Part No.	Description	Size	Quantity
1	TJ2000X-1	Handle Grip		1
2	TJ2000X-2	Pump Handle		1
3	TJ2000X-3	Pin	10x30	1
4	TJ2000X-4	Pin	10x30	1
5	TJ2000X-5	Socket		1
6	TJ2000X-6	Snap Ring	9	1
7	TJ2000X-7	Plunger		1
8	TJ2000X-8	Wiper *		1
9	TJ2000X-9	Back-up Ring *	Φ20x1	1
10	TJ2000X-10	O-ring *	14x2.65	1
11	TJ2000X-11	Pump		1
12	TJ2000X-12	Pump Seat		1
13	TJ2000X-13	Seal Ring	Φ22x1.5	1
14	TJ2000X-14	Screw	M10x1	1
15	TJ2000X-15	Spring	6x25	1
16	TJ2000X-16	Ball	6	5
17	TJ2000X-17	Screw	M10x1	1
18	TJ2000X-18	O-ring *	7.5x2.65	2
19	TJ2000X-19	Spring	7x19.6	1
20	TJ2000X-20	Screw	M10x20	1
21	TJ2000X-21	Seal Ring	10	1
22	TJ2000X-22	Spring	6x25	1
23	TJ2000X-23	Screw	M12x20	1
24	TJ2000X-24	Seal Ring	Φ19x2	1
25	TJ2000X-25	Ball	9	1
26	TJ2000X-26	Screw	M10x1	2
27	TJ2000X-27	O-ring *	19x2	2
28	TJ2000X-28	Screw	M10x1	1
29	TJ2000X-29	Spring	7.5x19.7	1
30	TJ2000X-30	Ball Seat		1
31	TJ2000X-31	Ball	4	1
	TJ2000X-32A	Knob Assembly (includes index # 18, 32, 33 and 34)		1
32	TJ2000X-32	Knob		1
33	TJ2000X-33	Pin	Φ2x20	1
34	TJ2000X-34	Release Rod		1
35	TJ2000X-35	Valve Block Assembly		1
36	TJ2000X-36	Caster Assembly		4
37	TJ2000X-37	Reservoir		1
38	TJ2000X-38	O-ring *	Φ19x2.65	1
39	TJ2000X-39	Ram Assembly		1
40	TJ2000X-40	Retaining Ring *	Φ27x1.25	1
41	TJ2000X-41	O-ring *	Φ28x3	1
42	TJ2000X-42	Y-ring *	Φ30x6.3	1
43	TJ2000X-43	Retaining Ring	32	1
44	TJ2000X-44	Washer	Φ38x1.5	1
45	TJ2000X-45	O-ring *	33.2x4.6	1
46	TJ2000X-46	Retaining O-ring	42x6	1
47	TJ2000X-47	Bushing	42x20	1
48	TJ2000X-48	Piston Rod		1
49	TJ2000X-49	O-ring *	50.5x2.4	1
50	TJ2000X-50	Cylinder		1
51	TJ2000X-51	Seal Ring *	76x2	2
52	TJ2000X-52	Cylinder Nut		1
53	TJ2000X-53	O-ring *	37.5x3.55	1
54	TJ2000X-54	Wiper *	46x6	1
55	TJ2000X-55	Split Pin	5x45	1
56	TJ2000X-56	Link Rod		1
57	TJ2000X-57	Side Plate		1

Index No.	Part No.	Description	Size	Quantity
58	TJ2000X-58RF	Caster Seat Right Front		1
	TJ2000X-58RR	Caster Seat Right Rear (pump end)		1
	TJ2000X-58LR	Caster Seat Left Rear (pump end)		1
	TJ2000X-58LF	Caster Seat Left Front		1
59	TJ2000X-59	Lock Washer	12	2
60	TJ2000X-60	Screw	M12x40	2
61	TJ2000X-61	Screw	M10	6
62	TJ2000X-62	Thrust Bearing	8205	4
63	TJ2000X-63	Nut	M16	2
64	TJ2000X-64	Lock Washer	16	2
65	TJ2000X-65	Screw	M8x12	4
66	TJ2000X-66	Slot		2
67	TJ2000X-67	Screw	M6x12	4
68	TJ2000X-68	Long Link Rod		2
69	TJ2000X-69	Snap Ring	16	4
70	TJ2000X-70	Spacer	22x15	2
71	TJ2000X-71	Short Link Rod		2
72	TJ2000X-72	Nut	M10	2
73	TJ2000X-73	Thrust Bearing	8100	3
74	TJ2000X-74	Guide Axle		1
75	TJ2000X-75	Screw Assy	M14X221	1
76	TJ2000X-76	Snap Ring	20	4
77	TJ2000X-77	Snap Ring	25	2
78	TJ2000X-78	Grease Fitting		1
79	TJ2000X-79	Shaft Arm		1
80	TJ2000X-80	Lifting Arm Assembly		1
81	TJ2000X-81	Axle		1
82	TJ2000X-82	Retaining Ring	18	2
83	TJ2000X-83A	Axle	∅25x88	1
84	TJ2000X-84	Saddle Base		1
85	TJ2000X-85	Axle		1
86	TJ2000X-86	Snap Ring	18	4
87	TJ2000X-87	Axle		1
88	TJ2000X-88	Screw Assy		1
89	TJ2000X-89	Axle		1
90	TJ2000X-90	Chain Screw		2
91	TJ2000X-91	Hook Guide		4
92	TJ2000X-92	Chain Connector		2
93	TJ2000X-93	Chain		2
94	TJ2000X-94	Saddle		1
95	TJ2000X-95	Hex Nut	M10	10
96	TJ2000X-96	Washer	10	4
97	TJ2000X-97	Washer	8	8
98	TJ2000X-98	Nut	M8	8
99	TJ2000X-99	Chain Hook		1
100	TJ2000X-100	Containing Angle		4
101	TJ2000X-101	Washer	12	4
102	TJ2000X-102	Screw	M12x20	4
103	TJ2000X-103	Bolt	∅22x40	2
104	TJ2000X-104	Lock Washer	10	12
105	TJ2000X-105	Screw	M10x35	6
106	TJ2000X-106	Hex Cap Screw		1
107	TJ2000X-107	Hex Nut		1
108	TJ2000X-108	Washer		1
	TJ2000X-109	Piston Packing Set (incls. 40-48)		
	TJ2000X-PA	Pump Assembly (incls. 7-35, 37-54)		
	TJ2000X-PRK	Pump Repair Kit (incls. 8-10, 18, 27, 38, 40-42, 45, 49, 51, 53, 54)		

* indicates included in pump repair kit