



## Operating Instructions and Parts Manual AHR-50 Auto Rewind Hose Reel



**JET**  
427 New Sanford Road  
LaVergne, Tennessee 37086  
Ph.: 800-274-6848  
www.jettools.com

**Part No. M-426238**  
Revision C 04/2017  
Copyright © 2017 JET

# Warranty and Service

JET warrants every product it sells against manufacturers' defects. If one of our tools needs service or repair, please contact Technical Service by calling 1-800-274-6846, 8AM to 5PM CST, Monday through Friday.

## Warranty Period

The general warranty lasts for the time period specified in the literature included with your product or on the official JET branded website.

- JET products carry a limited warranty which varies in duration based upon the product. (See chart below)
- Accessories carry a limited warranty of one year from the date of receipt.
- Consumable items are defined as expendable parts or accessories expected to become inoperable within a reasonable amount of use and are covered by a 90 day limited warranty against manufacturer's defects.

## Who is Covered

This warranty covers only the initial purchaser of the product from the date of delivery.

## What is Covered

This warranty covers any defects in workmanship or materials subject to the limitations stated below. This warranty does not cover failures due directly or indirectly to misuse, abuse, negligence or accidents, normal wear-and-tear, improper repair, alterations or lack of maintenance. JET woodworking machinery is designed to be used with Wood. Use of these machines in the processing of metal, plastics, or other materials outside recommended guidelines may void the warranty. The exceptions are acrylics and other natural items that are made specifically for wood turning.

## Warranty Limitations

Woodworking products with a Five Year Warranty that are used for commercial or industrial purposes default to a Two Year Warranty. Please contact Technical Service at 1-800-274-6846 for further clarification.

## How to Get Technical Support

Please contact Technical Service by calling 1-800-274-6846. **Please note that you will be asked to provide proof of initial purchase when calling.** If a product requires further inspection, the Technical Service representative will explain and assist with any additional action needed. JET has Authorized Service Centers located throughout the United States. For the name of an Authorized Service Center in your area call 1-800-274-6846 or use the Service Center Locator on the JET website.

## More Information

JET is constantly adding new products. For complete, up-to-date product information, check with your local distributor or visit the JET website.

## How State Law Applies

This warranty gives you specific legal rights, subject to applicable state law.

## Limitations on This Warranty

JET LIMITS ALL IMPLIED WARRANTIES TO THE PERIOD OF THE LIMITED WARRANTY FOR EACH PRODUCT. EXCEPT AS STATED HEREIN, ANY IMPLIED WARRANTIES OF MERCHANTABILITY AND FITNESS FOR A PARTICULAR PURPOSE ARE EXCLUDED. SOME STATES DO NOT ALLOW LIMITATIONS ON HOW LONG AN IMPLIED WARRANTY LASTS, SO THE ABOVE LIMITATION MAY NOT APPLY TO YOU.

JET SHALL IN NO EVENT BE LIABLE FOR DEATH, INJURIES TO PERSONS OR PROPERTY, OR FOR INCIDENTAL, CONTINGENT, SPECIAL, OR CONSEQUENTIAL DAMAGES ARISING FROM THE USE OF OUR PRODUCTS. SOME STATES DO NOT ALLOW THE EXCLUSION OR LIMITATION OF INCIDENTAL OR CONSEQUENTIAL DAMAGES, SO THE ABOVE LIMITATION OR EXCLUSION MAY NOT APPLY TO YOU.

JET sells through distributors only. The specifications listed in JET printed materials and on official JET website are given as general information and are not binding. JET reserves the right to effect at any time, without prior notice, those alterations to parts, fittings, and accessory equipment which they may deem necessary for any reason whatsoever. JET® branded products are not sold in Canada by JPW Industries, Inc.

## Product Listing with Warranty Period

90 Days – Parts; Consumable items
1 Year – Motors; Machine Accessories
2 Year – Metalworking Machinery; Electric Hoists, Electric Hoist Accessories; Woodworking Machinery used for industrial or commercial purposes
5 Year – Woodworking Machinery
Limited Lifetime – JET Parallel clamps; VOLT Series Electric Hoists; Manual Hoists; Manual Hoist Accessories; Shop Tools; Warehouse & Dock products; Hand Tools; Air Tools

NOTE: JET is a division of JPW Industries, Inc. References in this document to JET also apply to JPW Industries, Inc., or any of its successors in interest to the JET brand.

# Table of Contents

Section	Page
AHR-50 Auto Rewind Hose Reel .....	1
Warranty and Service.....	2
Table of Contents.....	3
Specifications .....	3
Safety Precautions .....	4
Installation of Reel.....	4
Operation .....	4
Spring Tension Adjustment .....	5
Swivel Seal Replacement .....	5
Hose Replacement.....	5
Spring Canister .....	5
Troubleshooting the AHR-50 Auto Rewind Hose Reel .....	6
Replacement Parts.....	6
AHR-50 Hose Reel – Exploded View .....	7
AHR-50 Hose Reel – Parts List.....	8

## Specifications

Model # .....	AHR-50
Stock # .....	426238
Hose Type.....	Reinforced Rubber
Hose Size (ID x L) .....	3/8" x 50'
Working Pressure.....	300 psi
Hose Inlet Size .....	3/8" NPT
Hose Outlet Size .....	1/4" NPT
Overall Dimensions (LxWxH) .....	21"x7"x19"
Net Weight (lbs) .....	47



The specifications in this manual are given as general information and are not binding. JET reserves the right to effect, at any time and without prior notice, changes or alterations to parts, fittings, and accessory equipment deemed necessary for any reason whatsoever.

# Safety Precautions

**⚠ WARNING** Exposure of skin directly to pressurized air or fluid could result in severed bodily injury.

1. Make sure incoming line pressure does not exceed rated operating pressure for your model hose reel.
2. Use proper eye protection when using or servicing the hose reel.
3. Assemble the hose reel on a clean workbench.
4. Use soap and water when checking for leaks.
5. Keep children away from the work area.

# Installation of Reel

**For overhead ceiling mounting:** Install reel between ten and fifteen feet above the floor. You will need to purchase appropriate hardware for mounting your new reel (four 7/16" or M12 bolts, washers and nuts or four masonry bolts, or similar depending on installation).

1. The reel base has four 1/2" (or 12.7mm) drilled holes for mounting on a suitable flat surface.
2. The reel is supplied with a hose guide roller bracket. The bracket position may be changed depending on the reel mounting position. Figure 1 shows "Typical Mounting Positions". If bracket position needs to be changed, do the following:
  - Pull out some hose and let reel latch. See Operation Section: "To Latch," "To Unlatch," page 4.
  - Remove the bolts that attach the guide roller bracket to the support post.
  - Rotate guide roller bracket to correct position, replace bolts and tighten.
3. Using the four holes in the base, mount the reel in the desired location. Be sure to use appropriate hardware and tighten securely.
4. Flush hose with air or water prior to connecting to source. Apply thread seal tape or pipe sealant to supply line threads, attach to reel inlet and tighten. The other end of incoming line can now be connected to desired supply source.

**Note:** A swivel connector and flexible inlet hose are required for supply line or warranty is void.

5. Flush some product through the system and reel prior to connecting outlet nozzle to tool. Apply thread seal tape or pipe sealant to outlet fitting on reel hose, and then attach to desired tool, or nozzle. Check connection for leakage using soapy water.
6. If hose stopper adjustment is required, pull hose from reel and allow latching at desired length. Loosen stopper screws and slide stopper to a position close to the hose guide. Tighten stopper screws, and unlatch the reel.

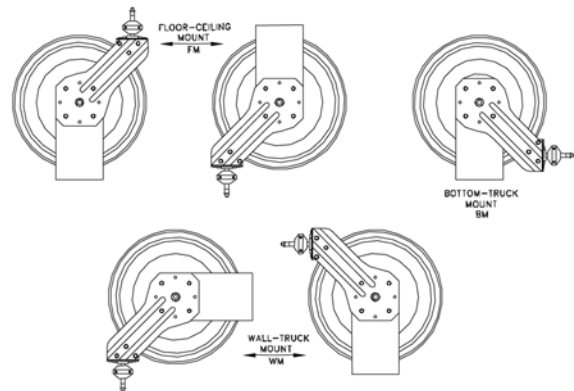


Figure 1

# Operation

1. Check reel for correct operation by slowly pulling out the hose. A "clicking" noise will be heard every half revolution of the drum.
2. **To latch:** the reel, pull out the hose and allow it to retract after hearing the first, second, or third "click".
3. **To unlatch:** slowly pull out the hose until the "clicking" noise stops, and then let the hose retract until the hose stop rests against the hose guide.

**⚠ WARNING** Do not allow hose to retract without restraining recoil speed. Never let go of the hose when rewinding. Failure to comply may result in severe injury.

4. Periodically check the hose condition for wear or damage, and check the swivel fitting for leakage. Replace any worn, damaged, or leaking parts.

## Spring Tension Adjustment

1. Pull out approximately 6 feet, or 2 meters of hose and allow the drum to latch.
2. Remove hose stopper from hose, and feed hose back through guide.
3. Wrap the pulled hose one time around the drum to increase tension or un-wrap hose one time from drum to decrease tension.
4. Re-insert hose through guide, and install stopper onto hose end.
5. Pull hose from reel, and check tension. Adjust stopper if necessary.

## Swivel Seal Replacement

1. Turn off and disconnect supply line from swivel inlet.
2. Remove swivel assembly from reel axle.
3. Remove retainer clip from swivel, and take apart.
4. **Note:** You may want to remove swivel from reel hose end, but this is not necessary unless a new swivel is being installed.
5. Replace the seals and reassemble swivel.
6. Use thread sealant on swivel thread fitting, reconnect the swivel thread fitting with axle.
7. Re-connect inlet supply line and use soapy water to check for leaks.

## Hose Replacement

1. Turn off supply to reel and drain.
2. Pull out all the old hose and lock the reel in this position.



**Make sure reel drum is securely locked and cannot rotate back. Failure to comply may result in severe injury.**

3. Remove two hose clamps from hose.
4. Carefully disconnect hose from swivel joint on side of reel, or male fitting in axle center and remove old hose.

5. Use the hose guard and hose stop from the old hose and place in the same position on the new hose.
6. Feed new hose through guide and opening in drum, and connect to swivel. Use thread sealant on the threads.
7. Re-install two hose clamps, on inside and outside of drum flange.
8. Carefully release the drum latch, and slowly allow the hose to wind onto the reel.

**Note:** Final spring adjustment is accomplished by adding, or removing wraps of hose around the drum. See "Adjustment of Spring Tension."

## Spring Canister

**If the rewind spring fails for any reason:** For safety reasons, the manufacturer strongly recommends the replacement of the spring canister be carried out by a JET Authorized Service Center.

## Troubleshooting the AHR-50 Auto Rewind Hose Reel

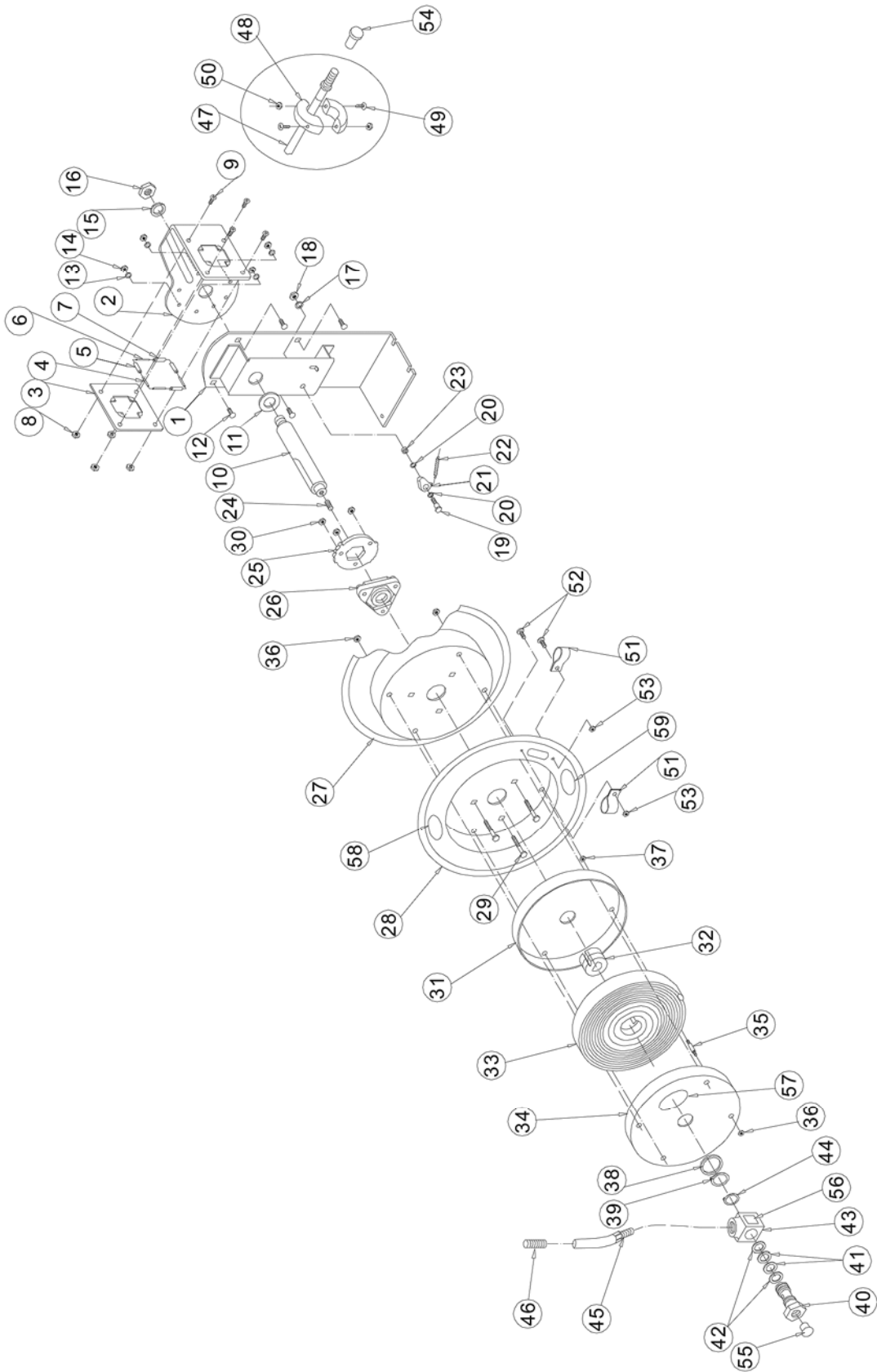
Symptom	Possible Cause	Correction
Hose will not fully retract.	Outlet nozzle, gun or tool is too heavy.	Add spring tension. See "Spring Tension Adjustment."
	Spring is fatigued.	Add spring tension. See "Spring Tension Adjustment." Replace spring canister if required.
	Replacement hose is too long.	Call local Distributor for correct specified hose length.
Hose will not retract at all.	Spring has lost all tension or has possibly broken.	Reinstall spring tension.
		Replace spring canister. Have a JET Authorized Service Center replace the spring canister.
Reel will not latch.	Incorrect operation.	Reel locks on first, second, third or fourth "click". After forth "click" it automatically rewinds.
	Dog spring or locking cam is broken or worn.	Replace dog spring or locking cam.
Fluid leaks from swivel.	Swivel seals are worn.	Replace swivel seals. See "Replacing Swivel Seal." Be sure leak is not at hose fitting.

## Replacement Parts

Replacement parts are listed on the following pages. To order parts or reach our service department, call 1-800-274-6848 Monday through Friday, 8:00 a.m. to 5:00 p.m. CST. Having the Model Number and Serial Number of your machine available when you call will allow us to serve you quickly and accurately.

Non-proprietary parts, such as fasteners, can be found at local hardware stores, or may be ordered from JET. Some parts are shown for reference only, and may not be available individually.

# AHR-50 Hose Reel – Exploded View



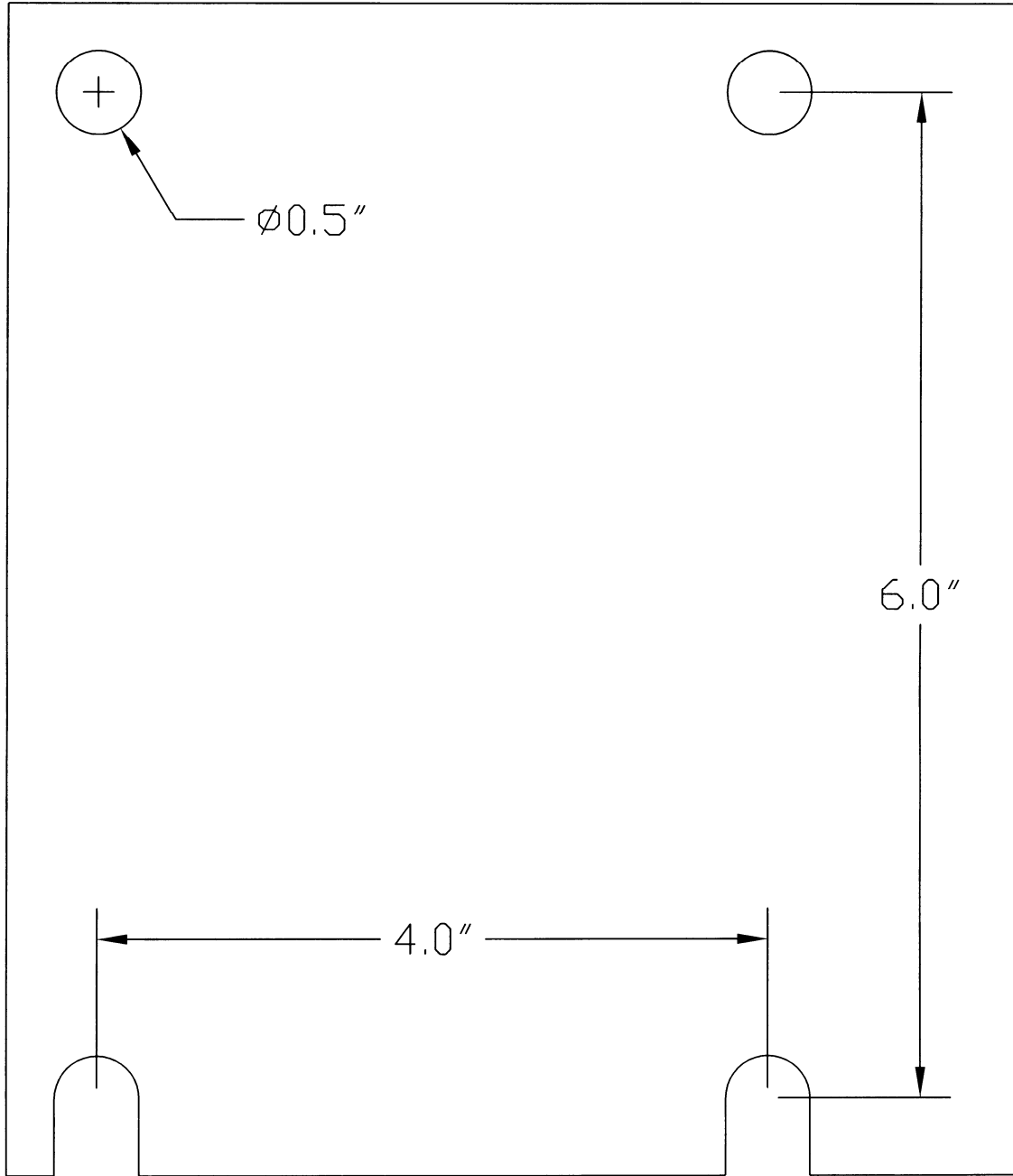
## AHR-50 Hose Reel – Parts List

Index No.	Part No.	Description	Size	Qty.
1	AHR50-1	Base		1
2	AHR50-2	Support Plate		1
3	AHR50-3	Guide Plate		1
4	AHR50-4	Roller Axle (long)		2
5	AHR50-5	Roller (long)		2
6	AHR50-6	Roller Axle (short)		2
7	AHR50-7	Roller (short)		2
8	AHR50-8	Nyloc Nut **	M5	4
9	AHR50-9	Pan Head Machine Screw **	M5x10	4
10	AHR50-10	Shaft		1
11	AHR50-11	Washer **		1
12	AHR50-12	Carriage Bolt **	M8x20	4
13	AHR50-13	Lock Washer **	M8	4
14	AHR50-14	Nyloc Nut **	M8	4
15	AHR50-15	Lock Washer **	M16	1
16	AHR50-16	Hex Nut **	M16	1
17	AHR50-17	Lock Washer **	M10	1
18	AHR50-18	Hex Nut **	M10	1
19	AHR50-19	Bolt	M10x43	1
20	AHR50-20	Bushing	Ø13xØ19x1.6	2
21	AHR50-21	Locking Cam		1
22	AHR50-22	Dog Spring		1
23	AHR50-23	Bushing **	Ø13xØ19x10	1
24	AHR50-24	Screw **	M10x30	1
25	AHR50-25	Locking Ring		1
26	AHR50-26	Assembly Hub		1
27	AHR50-27	Drum		1
28	AHR50-28	Drum		1
29	AHR50-29	Bolt **	M6x37	3
30	AHR50-30	Nyloc Nut **	M6	3
31		Spring Drum		1
	AHR50-31A	Spring Drum Assembly (includes: 31, 32, 33, 34, 35, 36, 37, 57)		1
32		Spring Core		1
33		Spring		1
34		Spring Drum		1
35		Bolt	M6x56	4
36	AHR50-36	Nyloc Nut **	M6	8
37	AHR50-37	Nut **	M6	4
38	AHR50-38	Washer **	Ø19.5xØ40x2	1
39	AHR50-39	Retaining Ring **	19	1
40	AHR50-40	Swivel Spool		1
41	AHR50-41	O-Ring	ASM568-210	2
42	AHR50-42	Retainer	8-210	2
43	AHR50-43	Swivel Body		1
	AHR50-43A	Swivel Assembly (includes: 40, 41, 42, 43, 44)		1
44	AHR50-44	Retaining Ring **	25	1
45	AHR50-45	Fitting		2
46	AHR50-46	Hose Protection Spring		1
47	AHR50-47	Replacement Air Hose	3/8" x 50'	1
48	AHR50-48	Hose Stop		2
49	AHR50-49	Pan Head Machine Screw **	M6x40	2
50	AHR50-50	Hex Nut **	M6	2
51	AHR50-51	Clamp		2
52	AHR50-52	Pan Head Machine Screw **	M5x12	2
53	AHR50-53	Nyloc Nut **	M5	2
54	AHR50-54	Plastic Cover		1
55	AHR50-55	Plastic Plug		1
56	AHR50-56	Swivel Label *		1



Index No.	Part No.	Description	Size	Qty.
57	AHR50-57	Spring Drum Label *		1
59	AHR50-59	Arrow Label *		1
	AHR50-ID	JET I.D. Label (not shown)		1
	AHR50-LK	*Label Kit (includes: 56, 57, 59)		
	AHR50-HK	**Hardware Kit (includes: 8, 9, 11, 12, 13, 14, 15, 16, 17, 18, 23, 24, 29, 30, 36, 37, 38, 39, 44, 49, 50, 52, 53)		

# Mounting Template







427 New Sanford Road  
LaVergne, Tennessee 37086  
Phone: 800-274-6848  
[www.jettools.com](http://www.jettools.com)