



## Operating Instructions and Parts Manual PHR-50 Air/Water Hose Reel



**JET**  
427 New Sanford Road  
LaVergne, Tennessee 37086  
Ph.: 800-274-6848  
[www.jettools.com](http://www.jettools.com)

**Part No. M-426237**  
Revision C 06/2017  
Copyright © 2017 JET

# Warranty and Service

JET® warrants every product it sells against manufacturers' defects. If one of our tools needs service or repair, please contact Technical Service by calling 1-800-274-6846, 8AM to 5PM CST, Monday through Friday.

## Warranty Period

The general warranty lasts for the time period specified in the literature included with your product or on the official JET branded website.

- JET products carry a limited warranty which varies in duration based upon the product. (See chart below)
- Accessories carry a limited warranty of one year from the date of receipt.
- Consumable items are defined as expendable parts or accessories expected to become inoperable within a reasonable amount of use and are covered by a 90 day limited warranty against manufacturer's defects.

## Who is Covered

This warranty covers only the initial purchaser of the product from the date of delivery.

## What is Covered

This warranty covers any defects in workmanship or materials subject to the limitations stated below. This warranty does not cover failures due directly or indirectly to misuse, abuse, negligence or accidents, normal wear-and-tear, improper repair, alterations or lack of maintenance. JET woodworking machinery is designed to be used with Wood. Use of these machines in the processing of metal, plastics, or other materials outside recommended guidelines may void the warranty. The exceptions are acrylics and other natural items that are made specifically for wood turning.

## Warranty Limitations

Woodworking products with a Five Year Warranty that are used for commercial or industrial purposes default to a Two Year Warranty. Please contact Technical Service at 1-800-274-6846 for further clarification.

## How to Get Technical Support

Please contact Technical Service by calling 1-800-274-6846. **Please note that you will be asked to provide proof of initial purchase when calling.** If a product requires further inspection, the Technical Service representative will explain and assist with any additional action needed. JET has Authorized Service Centers located throughout the United States. For the name of an Authorized Service Center in your area call 1-800-274-6846 or use the Service Center Locator on the JET website.

## More Information

JET is constantly adding new products. For complete, up-to-date product information, check with your local distributor or visit the JET website.

## How State Law Applies

This warranty gives you specific legal rights, subject to applicable state law.

## Limitations on This Warranty

JET LIMITS ALL IMPLIED WARRANTIES TO THE PERIOD OF THE LIMITED WARRANTY FOR EACH PRODUCT. EXCEPT AS STATED HEREIN, ANY IMPLIED WARRANTIES OF MERCHANTABILITY AND FITNESS FOR A PARTICULAR PURPOSE ARE EXCLUDED. SOME STATES DO NOT ALLOW LIMITATIONS ON HOW LONG AN IMPLIED WARRANTY LASTS, SO THE ABOVE LIMITATION MAY NOT APPLY TO YOU. JET SHALL IN NO EVENT BE LIABLE FOR DEATH, INJURIES TO PERSONS OR PROPERTY, OR FOR INCIDENTAL, CONTINGENT, SPECIAL, OR CONSEQUENTIAL DAMAGES ARISING FROM THE USE OF OUR PRODUCTS. SOME STATES DO NOT ALLOW THE EXCLUSION OR LIMITATION OF INCIDENTAL OR CONSEQUENTIAL DAMAGES, SO THE ABOVE LIMITATION OR EXCLUSION MAY NOT APPLY TO YOU.

JET sells through distributors only. The specifications listed in JET printed materials and on official JET website are given as general information and are not binding. JET reserves the right to effect at any time, without prior notice, those alterations to parts, fittings, and accessory equipment which they may deem necessary for any reason whatsoever. JET® branded products are not sold in Canada by JPW Industries, Inc.

## Product Listing with Warranty Period

90 Days – Parts; Consumable items
1 Year – Motors; Machine Accessories
2 Year – Metalworking Machinery; Electric Hoists, Electric Hoist Accessories; Woodworking Machinery used for industrial or commercial purposes
5 Year – Woodworking Machinery
Limited Lifetime – JET Parallel clamps; VOLT Series Electric Hoists; Manual Hoists; Manual Hoist Accessories; Shop Tools; Warehouse & Dock products; Hand Tools; Air Tools

NOTE: JET is a division of JPW Industries, Inc. References in this document to JET also apply to JPW Industries, Inc., or any of its successors in interest to the JET brand.

# Table of Contents

Section	Page
PHR-50 Air/Water Hose Reel .....	1
Warranty and Service.....	2
Table of Contents.....	3
Specifications:.....	3
Features .....	3
Safety Precautions .....	4
Installation of Reel.....	4
Operation .....	4
Spring Tension Adjustment .....	5
Replacing Swivel Seal.....	5
Replacing Spring Canister .....	5
Troubleshooting the PHR-50 Air/Water Hose Reel.....	6
Replacement Parts.....	6
PHR-50 Hose Reel – Parts List.....	7
PHR-50 Hose Reel – Exploded View .....	8

## Specifications:

Model Number.....	<b>PHR-50</b>
Stock Number .....	426237
Hose Type .....	PVC
Hose Size .....	3/8" I.D. x 50' L
Working Pressure .....	300 psi
Overall Dimensions .....	17-1/2" x 18-1/2"
Net Weight .....	21 lbs.

## Features

- Impact resistant, high quality polypropylene construction.
- Automatic rewind with positive latching mechanism.
- Choose free run or latching mode.
- Fully enclosed and lubricated spring driven drum.
- Non-sag rollers reduce hose wear.
- Ideal for use with air or water.



The specifications in this manual are given as general information and are not binding. JET reserves the right to effect, at any time and without prior notice, changes or alteration to parts, fittings, and accessory equipment deemed necessary for any reason whatsoever.

## Safety Precautions

**▲WARNING** Exposure of skin directly to pressurized air or fluid could result in severed bodily injury.

1. Make sure incoming line pressure does not exceed rated operating pressure for your model hose reel.
2. Use proper eye protection when using or servicing the hose reel.
3. Assemble the hose reel on a clean workbench.
4. Use soap and water when checking for leaks.
5. Keep children away from the work area.

## Installation of Reel

For overhead ceiling mounting: Install reel at least 10 feet above the floor. You will need to purchase appropriate hardware for mounting the reel.

1. The reel base has three 13/32" (10.5mm) drilled holes for mounting on a suitable flat surface. Figure 1 shows the reel mounted to wall or ceiling.
2. Use the three holes in the base to design a template for drilling three holes in wall or ceiling. Mount the reel in the desired location. Be sure to use appropriate hardware and tighten securely.
3. Flush hose with air prior to connecting to source. Apply thread seal tape or pipe sealant to supply line threads, attach to reel inlet and tighten. The other end of incoming line can now be connected to desired supply source.

**▲WARNING** Do not allow hose to retract without restraining recoil speed. Never let go of the hose when rewinding. Failure to comply may result in severe injury.

4. Apply thread seal tape or pipe sealant to outlet fitting on reel hose, then attach to desired tool or nozzle. Check connection for leakage using soapy water, also check hose reel for correct operation.
5. If hose stopper adjustment is required, pull hose from reel and allow it to latch at desired length. Loosen stopper bolts, and slide stopper to a position close to the hose guide. Tighten stopper bolts, and unlatch the reel.

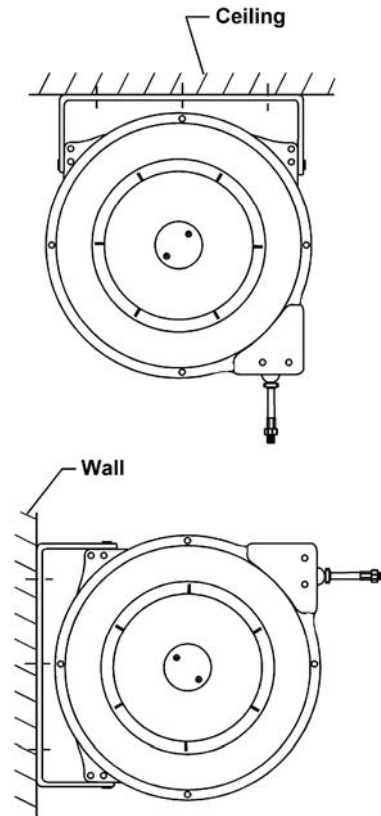


Figure 1

## Operation

1. Check reel for correct operation by slowly pulling out the hose. A "clicking" noise will be heard every half revolution of the drum.
2. To lock the reel: Pull out the hose and allow it to retract after hearing the first, second, or third "click". Then move the slipping block (A-Fig. 2) to the lock position as shown.
3. To unlock the reel: Move the slipping block (A-Fig. 2) to the unlock position. Slowly pull out the hose until the "clicking" noise stops, and then let the hose retract until the hose stop rests against the hose guide.
4. Periodically check the hose condition for wear or damage, and check the swivel fitting for leakage. Replace any worn, damaged, or leaking parts.

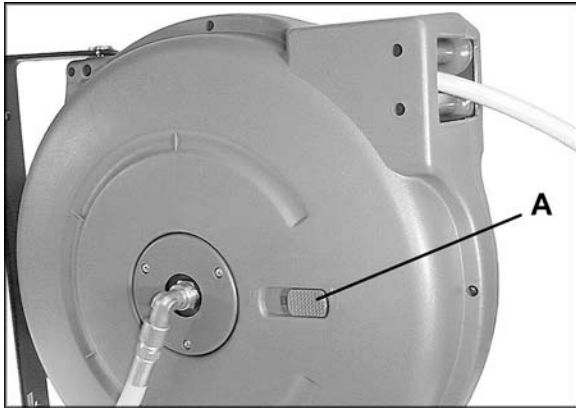


Figure 2

## Spring Tension Adjustment

*Tools required for adjustment:*

Cross point (Phillips) screwdriver  
 13/16" socket wrench  
 22mm open-end (or combination) wrench

1. Disconnect inlet hose.
2. Remove the cover (A, Figure 3) and loosen the two screws (B, Figure 3) on the spring adjustable bushing, while holding the bushing secure with a socket wrench as shown. With the screws removed, rotate the spring adjustable bushing clockwise to increase spring tension, counterclockwise to decrease spring tension.

**⚠ WARNING** When loosening spring adjustable bushing, hold the bushing with socket wrench to prevent spring from unwinding.

3. Re-tighten screws (B, Figure 3) and replace cover (A, Figure 2)

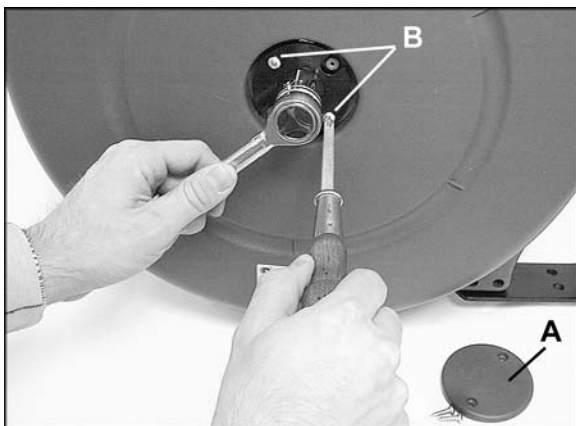


Figure 3

## Replacing Swivel Seal

1. Turn off air supply line.
2. Remove the cover (A, Figure 4) and unscrew the fitting (B, Figure 4) with an open-end wrench. Remove the four screws from the swivel spool (C) and pull out swivel spool.
3. Remove the O-ring from the swivel spool and install new O-ring.
4. Re-assemble spool, fitting and cover.
5. Turn on inlet supply line and use soapy water to check for leaks.

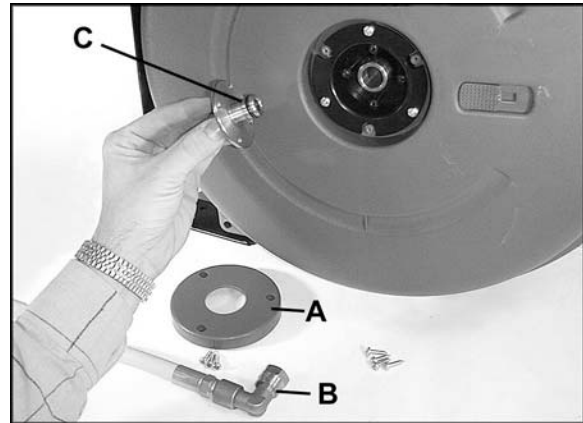


Figure 4

## Replacing Spring Canister

If the rewind spring fails for any reason, a new spring canister can be installed. For safety reasons, the manufacturer strongly recommends the replacement of the spring canister be carried out by a JET Authorized Service Center.

## Troubleshooting the PHR-50 Air/Water Hose Reel

Symptom	Possible Cause	Correction
Hose will not fully retract.	Outlet nozzle, gun or tool is too heavy.	Add spring tension. See "Spring Tension Adjustment."
	Spring is fatigued.	Add spring tension. See "Spring Tension Adjustment." Replace spring canister if required.
	Replacement hose is too long.	Call local Distributor for correct specified hose length.
Hose will not retract at all.	Spring has lost all tension or has possibly broken.	Reinstall spring tension.
		Replace spring canister. Have a JET Authorized Service Center replace the spring canister.
Reel will not lock.	Incorrect operation.	Reel locks on first, second, third or fourth "click". After forth "click" it automatically rewinds.
	Dog spring or locking cam is broken or worn.	Replace dog spring or locking cam.
Air leaks from swivel.	Swivel seal is worn.	Replace swivel seal. See "Replacing Swivel Seal." Be sure leak is not at hose fitting.

## Replacement Parts

Replacement parts are listed on the following pages. To order parts or reach our service department, call 1-800-274-6848 Monday through Friday, 8:00 a.m. to 5:00 p.m. CST. Having the Model Number and Serial Number of your machine available when you call will allow us to serve you quickly and accurately.

Non-proprietary parts, such as fasteners, can be found at local hardware stores, or may be ordered from JET. Some parts are shown for reference only, and may not be available individually.

## PHR-50 Hose Reel – Parts List

Index No.	Part No.	Description	Size	Quantity
1	PHR50-1	Left Outer Casing		1
2	PHR50-2	Right Outer Casing		1
3	PHR50-3	Drum		1
4	PHR50-4	Drum		1
5	PHR50-5	Spring	0.8 x 40 x 10mm	1
6	PHR50-6	Axle		1
7	PHR50-7	Ratchet Pawl		1
8	PHR50-8	Washer	4.5mm x 15	1
9	PHR50-9	Dog Spring	1 x 10 x 26mm	1
10	PHR50-10	Washer	4.5mm x 10.5	2
11	PHR50-11	Locking Ring		1
12	PHR50-12	Bolt	M8 x 1.25P x 16L	2
13	PHR50-13	Self Tapping Screw	M4.2 x 9.5L	1
14	PHR50-14	Spring Adjustable Bushing		1
15	PHR50-15	Stop Block		1
16	PHR50-16	Slipping Block		1
17	PHR50-17	Swivel Body		1
18	PHR50-18	Hose Clip		1
19	PHR50-19	Bushing		1
20	PHR50-20	Swivel Spool		1
21	PHR50-21	Fitting		1
22	PHR50-22	O-ring	ASM568-112	1
23	PHR50-23	Cover		1
24	PHR50-24	Swivel Cover		1
25	PHR50-25	Bracket		1
26	PHR50-26	Pin		2
27	PHR50-27	Self Tapping Screw	M4.2 x 16L	18
28	PHR50-28	Roller		2
29	PHR50-29	PVC Hose	3/8" I.D. x 50' L	1
30	PHR50-30	Ball Stop		1
31	PHR50-31	Hose Clip		1
32	PHR50-32	Screw	M4.8 x 22L	2
33	PHR50-33	Retainer		1
34	PHR50-34	Self Tapping Screw	M4.2 x 20L	4
35	PHR50-35	PVC Inlet Hose (w 3/8" NPT Male Fittings)	3/8" I.D. x 3' L	1
38	TS-1540061	Hex Nut	M8	2
39	PHR50-39	O-Ring	2-012	1
40	PHR50-40	Self Tapping Screw	M4.2 x 13L	4
41	PHR50-41	Self Tapping Screw	M4.2 x 19L	9
42	PHR50-42	Screw Assembly	M4.2 x 16L	1

# PHR-50 Hose Reel – Exploded View

